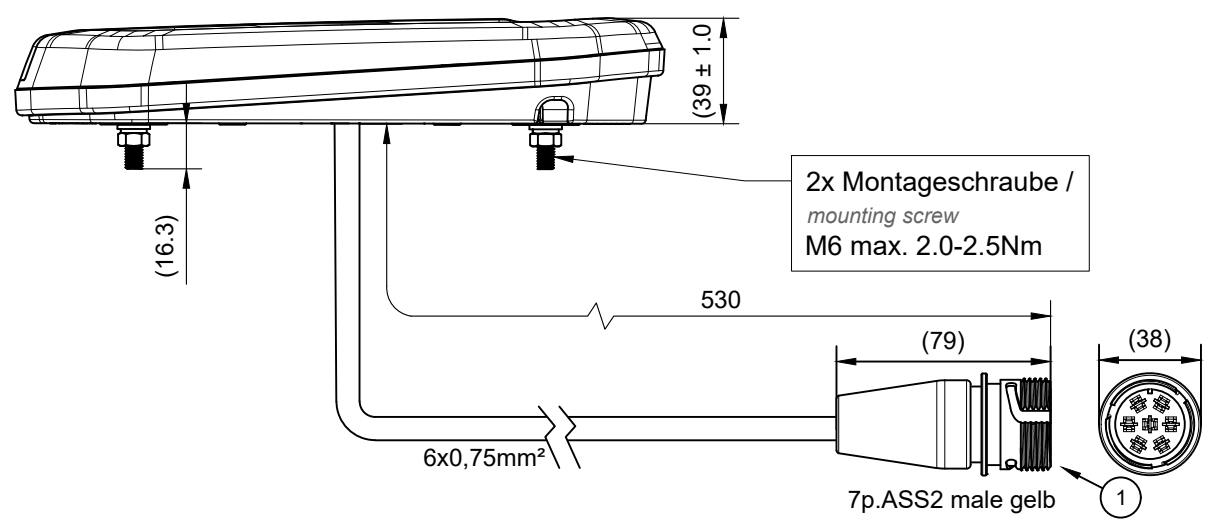
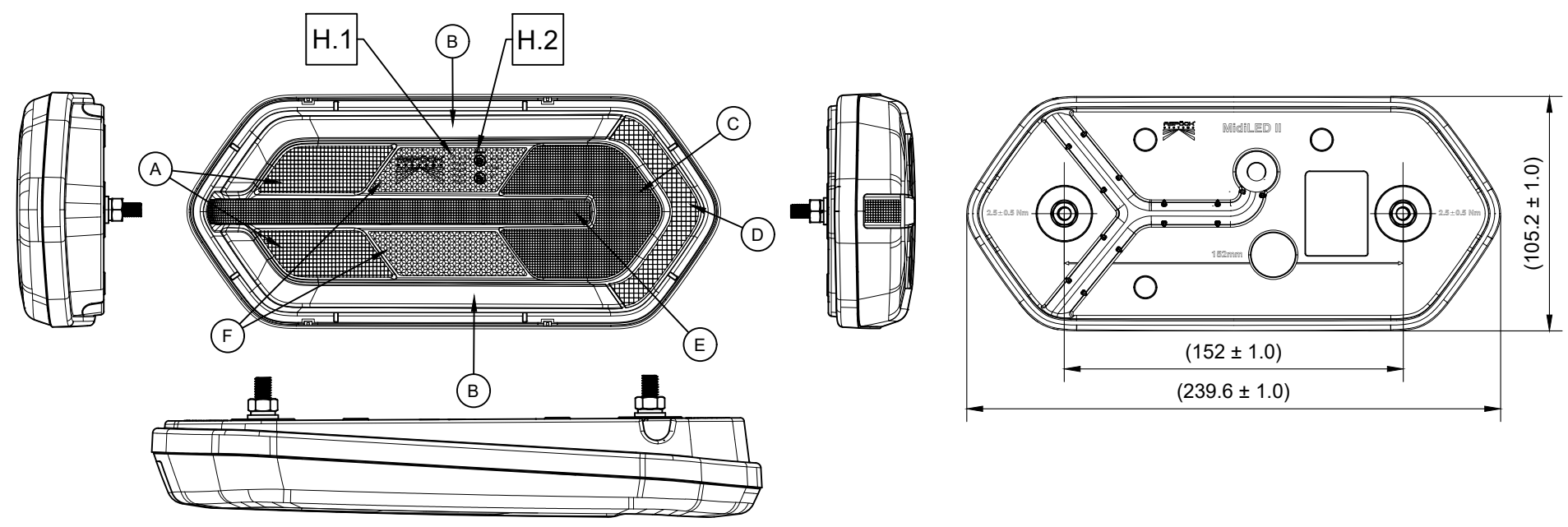


Level	Zone	ECI N°.	Revision note	Date	Designed	Checked



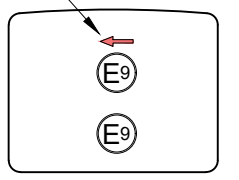
CONNECTOR:		①
function	pin	wire colour
Blinker LH <i>DI LH</i>	1 / 4	gelb <i>yellow</i>
Nebelschl. <i>Fog</i>	2	blau <i>blue</i>
Masse <i>GND</i>	3	weiss <i>white</i>
-	5	-
Bremse <i>Stop</i>	6	rot <i>red</i>
Rücklicht LH <i>Tail LH</i>	7	schwarz <i>black</i>
Rückfahr. <i>Reverse</i>	8	grau <i>grey</i>



Electrical Specification				
Funktion <i>Function</i>	Nennspannung <i>Nominal Voltage</i>	Spannungsbereich <i>Voltage Range</i>	Nennstrom <i>Nominal Current</i>	Nennleistung <i>Nominal Power</i>
Volt (V)	Volt (V)	Volt (V)	Ampere (A)	Watt (W)
Side Marker	12V / 24V	9V - 33V	0.5A / 0.5A	6W / 12W
Tail	9V - 32V	12V / 24V	0.25A / 0.13A	3W
Stop	9V - 32V	12V / 24V	0.15A / 0.08A	1.8W
Progressiv DI	9V - 32V	12V / 24V	0.22A	2.5 / 5.3W
Fog	9V - 32V	12V / 24V	0.38A / 0.19A	4.6W
Reverse	9V - 32V	12V / 24V	0.23A / 0.12A	2.8W

Einbaurichtung /mounting direction:
Der Pfeil muss zur Fahrzeugaußenseite zeigen.
/The arrow has to point towards the outer vehicle edge.

Homologation description							
H.1	E9 11363	148R 00	150R 00	R1	S1	2a	F1 AR
H.2	E9 23643	10R 06	IB				



FUNCTION:	
Bremse LED <i>Stop LED</i>	A
Rücklicht LED <i>Tail LED</i>	B
Rückfahr. LED <i>Reverse LED</i>	C
Nebelschl. LED <i>Fog LED</i>	D
Blinker LED <i>Progressive DI LED</i>	E
Reflektor <i>reflector</i>	F

CP_03-0_Bemaßungsrichtlinie () Auxiliary dimension DIN 406-10 Theoretical dimension ISO 1101
 ○ Test dimension (SPC) [] Unfinished dimension DIN 406-10 Surface quality ISO 1302

Designed by: Wetzlmaier Gerlinde 2024/01/19
 Checked by: Leidinger Sabine 2024/01/23
 Approved by: Hutsteiner Jürgen 2024/01/23

ASPOCK SYSTEMS Designation: **MidiLED II Dualvoltage 7p. ASS2 LH**
 Drawing Nr. 34382100
 Business Unit SALES - 12

Part Number: 34-3821-007

Transmittal, reproduction, dissemination and/or editing of this document as well as utilization of its contents and communication thereof to others without express authorization are prohibited. Offenders will be held liable for payment of damages. All rights created by patent grant or registration of a utility model or design patent are reserved.

Tolerance: CP_04-2_Toleranzen Verkabelungsprodukte
 Project number: -
 Weight: -
 Scale: not in scale
 Level: R01
 Sheet: 1 / 1