

Drester ACE

EN OPERATING MANUAL

SE BRUKSANVISNING

DE BEDIENUNGSANLEITUNG

IT MANUALE D'USO

FR MODE D'EMPLOI

ES MANUAL DE OPERACIÓN



Drester ACE

EN CONTENTS

1. SCOPE OF THIS DOCUMENT	5
2. SAFETY INFORMATION	5
3. PURPOSE	6
4. TECHNICAL DATA	6
5. PLACING THE UNIT	7
6. PERMITTED SOLVENTS	7
7. PERMITTED SOLVENT DRUMS	8
8. COLLECTING TRAY	8
9. ASSEMBLY	8
10. INSTALLATION AND CONNECTION	9
11. PREPARATIONS FOR USE	10
12. COLOR CODING	12
13. SETUP WITH TAP WATER CONNECTION	12
14. OPERATION WITH TAP WATER CONNECTION	13
15. PREPARATIONS FOR OPERATION	13
16. AUTOMATIC WASH	13
17. FITTING THE TRIGGER CLIP	15
18. MANUAL WASH FOR SOLVENT-BASED PAINT	16
19. MANUAL WASH FOR WATERBORNE PAINT	16
20. COAGULATION PROCESS	17
21. REPLACING FILTERS	18
22. CONSUMABLES	19
23. MAINTENANCE	19
24. END OF LIFE	19
25. INSTALLATION PROTOCOL	20
26. TROUBLESHOOTING	21

INNEHÅLL

SE

1. DOKUMENTETS OMFATTNING	23
2. SÄKERHETSINFORMATION	23
3. SYFTE	24
4. TEKNISKA DATA	24
5. ENHETENS PLACERING	25
6. TILLÅTNA LÖSNINGSMEDEL	25
7. TILLÅTNA LÖSNINGSMEDELSDUNKAR	26
8. UPPSAMLINGSKÄRL	26
9. MONTERING	26
10. INSTALLATION OCH ANSLUTNING	27
11. FÖRBEREDELSE FÖR ANVÄNDNING	29
12. FÄRGKODER	30
13. INSTÄLLNING MED KRANVATTENANSLUTNING	30
14. DRIFT MED KRANVATTENANSLUTNING	31
15. FÖRBEREDELSE FÖR DRIFT	31
16. AUTOMATTVÄTT	31
17. MONTERA BYGELKLÄMMAN	33
18. MANUELL TVÄTT FÖR LÖSNINGSBASERAD FÄRG	33
19. MANUELL TVÄTT FÖR VATTENBASERAD FÄRG	34
20. KOAGULERINGSPROCESS	35
21. BYTA FILTER	36
22. FÖRBRUKNINGSARTIKLAR	36
23. UNDERHÅLL	36
24. ÅTERVINNING	37
25. INSTALLATIONS PROTOKOLL	38
26. FELSÖKNING	39

DE INHALTSVERZEICHNIS

1. GELTUNGSBEREICH DIESES DOKUMENTS	41
2. SICHERHEITSINFORMATIONEN	41
3. VERWENDUNGSZWECK	42
4. TECHNISCHE DATEN	42
5. AUFSTELLUNG DES GERÄTS	43
6. ZULÄSSIGE LÖSEMITTEL	43
7. ZULÄSSIGE LÖSEMITTELFÄSSER	44
8. AUFFANGWANNE	44
9. MONTAGE	44
10. INSTALLATION UND ANSCHLUSS	45
11. INBETRIEBNAHME	46
12. FARBCODIERUNG	48
13. EINRICHTUNG MIT LEITUNGSWASSER- ANSCHLUSS	48
14. BETRIEB MIT LEITUNGSWASSERANSCHLUSS	49
15. VORBEREITUNGEN FÜR DEN BETRIEB	49
16. AUTOMATISCHE WÄSCHE	49
17. MONTAGE DER BÜGELKLEMME	51
18. MANUELLE WÄSCHE FÜR LACKE AUF LÖSEMITTELBASIS	52
19. MANUELLE WÄSCHE FÜR LACKE AUF WASSERBASIS	52
20. KOAGULATIONSPROZESS	53
21. FILTERWECHSEL	54
22. VERBRAUCHSMATERIALIEN	54
23. WARTUNG	54
24. ENTSORGUNG	55
25. INSTALLATIONSProtokoll	56
26. FEHLERBEHEBUNG	57

INDICE

IT

1. AMBITO DI APPLICAZIONE DEL PRESENTE DOCUMENTO	59
2. INFORMAZIONI DI SICUREZZA	59
3. AMBITO DI APPLICAZIONE	60
4. DATI TECNICI	60
5. POSIZIONAMENTO DELL'UNITÀ	60
6. SOLVENTI CONSENTITI	61
7. FUSTI DI SOLVENTE CONSENTITI	62
8. VASCHETTA DI RACCOLTA	62
9. MONTAGGIO	62
10. INSTALLAZIONE E COLLEGAMENTO	63
11. PREPARAZIONI PER L'USO	65
12. CODIFICA A COLORI	66
13. CONFIGURAZIONE CON L'ALLACCIAMENTO ALL'ACQUA DEL RUBINETTO	66
14. FUNZIONAMENTO SENZA ALLACCIAMENTO ALL'ACQUA DEL RUBINETTO	67
15. PREPARAZIONI PER L'USO	67
16. LAVAGGIO AUTOMATICO	67
17. MONTAGGIO DELLA CLIP DI ATTIVAZIONE	69
18. LAVAGGIO MANUALE PER VERNICI A BASE DI SOLVENTE	70
19. LAVAGGIO MANUALE PER VERNICI A BASE ACQUOSA	70
20. PROCESSO DI COAGULAZIONE	71
21. SOSTITUZIONE DEI FILTRI	72
22. MATERIALI DI CONSUMO	72
23. MANUTENZIONE	73
24. FINE VITA	73
25. PROTOCOLLO DI INSTALLAZIONE	74
26. RISOLUZIONE DEI PROBLEMI	75

1. OBJET DU PRÉSENT DOCUMENT	77
2. INFORMATIONS DE SÉCURITÉ	77
3. OBJECTIF	78
4. CARACTÉRISTIQUES TECHNIQUES	78
5. MISE EN PLACE DE L'APPAREIL	79
6. SOLVANTS AUTORISÉS	79
7. FÛTS DE SOLVANTS AUTORISÉS	80
8. BAC RÉCEPTEUR	80
9. MONTAGE	80
10. INSTALLATION ET CONNEXION	81
11. PRÉPARATIONS POUR L'UTILISATION	83
12. CODIFICATION COULEUR	84
13. CONFIGURATION AVEC ARRIVÉE D'EAU	84
14. FONCTIONNEMENT AVEC ARRIVÉE D'EAU	85
15. PRÉPARATIONS POUR L'UTILISATION	85
16. LAVAGE AUTOMATIQUE	85
17. MONTAGE DU CLIP DE DÉCLENCHEMENT	87
18. LAVAGE MANUEL POUR PEINTURE À BASE DE SOLVANT	88
19. LAVAGE MANUEL POUR PEINTURE À BASE D'EAU	88
20. PROCÉDÉ DE COAGULATION	89
21. REMPLACEMENT DES FILTRES	90
22. CONSOMMABLES	90
23. ENTRETIEN	91
24. FIN DE VIE	91
25. PROTOCOLE D'INSTALLATION	92
26. DÉPANNAGE	93

1. ALCANCE DE ESTE DOCUMENTO	95
2. INFORMACIÓN DE SEGURIDAD	95
3. FINALIDAD	96
4. DATOS TÉCNICOS	96
5. UBICACIÓN DE LA UNIDAD	97
6. DISOLVENTES PERMITIDOS	97
7. BIDONES DE DISOLVENTE PERMITIDOS	98
8. BANDEJA DE RECOGIDA	98
9. MONTAJE	98
10. INSTALACIÓN Y CONEXIÓN	99
11. PREPARATIVOS PARA EL USO	100
12. CODIFICACIÓN DE COLORES	102
13. CONFIGURACIÓN CON CONEXIÓN DE AGUA DEL GRIFO	102
14. FUNCIONAMIENTO CON CONEXIÓN DE AGUA DEL GRIFO	103
15. PREPARATIVOS PARA EL FUNCIONAMIENTO	103
16. LAVADO AUTOMÁTICO	103
17. COLOCACIÓN DEL GANCHO DEL GATILLO	105
18. LAVADO MANUAL PARA PINTURA A BASE DE DISOLVENTE	106
19. LAVADO MANUAL PARA PINTURA A BASE DE AGUA	106
20. PROCESO DE COAGULACIÓN	107
21. SUSTITUCIÓN DE LOS FILTROS	108
22. CONSUMIBLES	108
23. MANTENIMIENTO	108
24. FIN DE LA VIDA ÚTIL	109
25. PROTOCOLO DE INSTALACIÓN	110
26. DETECCIÓN Y RESOLUCIÓN DE PROBLEMAS	111

1. SCOPE OF THIS DOCUMENT

This document is valid for the following DRESTER spray gun cleaners:

- DRESTER ACE Double Aqua (DG2A/DI2A)
- DRESTER ACE Double Solvent (DG2S/DI2S)
- DRESTER ACE Quattro Solvent (DG4S/DI4S)
- DRESTER ACE Double Combo (DG2C/DI2C)
- DRESTER ACE Triple Combo (DG3C/DI3C)
- DRESTER ACE Quattro Combo (DG4C/DI4C)

Double/Triple/Quattro = 2/3/4 wash areas in unit.

Model designation ending with an A = The unit is intended for waterborne paint (Aqua).

Model designation ending with an S = The unit is intended for solvent-based paint (Solvent).

Model designation ending with a C = The unit is intended for both waterborne and solvent-based paint (Combo).

All instructions are valid for all models, if not stated otherwise.

2. SAFETY INFORMATION

Improper use of DRESTER spray gun cleaners may cause hazards.

Improper choice or handling of drums or solvent may also cause hazards.

To maintain the high safety standard of the unit, follow the instructions below strictly.

- Read and make sure you fully understood all information in this manual.
- Keep this manual in close proximity to the unit. Make sure it is in a legible condition.
- Make sure every user knows where to find the manual.
- Any operating instructions should be based on this manual, and written in the language spoken by the user.
- Install your unit as described in this manual.
- Use your unit as described in this manual.
- Maintain your unit as described in this manual.

- Only use original spare parts.
- Do not in any way modify the unit.
- Do not operate the unit unless it is properly vented with sufficient extraction of vapors.
- Avoid contact with liquid and vapor. Refer to the MSDS (Material Safety Data Sheet) of the solvents.
- Wear the correct protective gear:
 - » Chemical goggles to protect your eyes.
 - » Chemical-resistant gloves to prevent skin contact.
 - » Chemical-resistant clothing to protect against spills or splash.



Use eye protection



Use protective gloves



Use a protective mask

- Persons suffering from respiratory problems or allergies to solvents used, must not operate the unit.
- Clean up spills immediately.
- To avoid accidental leakage and spills from drums, make sure that the proper measures are in place.
- Do not smoke, eat, or drink close to the unit.



Fire, naked flame, and smoking is strictly prohibited

- A safety valve will interrupt the automatic wash cycle if the lid is opened before the wash cycle is completed. In case of malfunction, or suspected malfunction, of the safety valve, the unit **must not** be used until the safety valve has been repaired.
- Spray guns or any other paint equipment cleaned in the unit must be suitable for cleaning in a Zone 1 area (ref. DIRECTIVE 1999/92/EC) if the unit is used with flammable solvents.

Drester ACE

- The unit must be properly grounded according to applicable local regulations.
- To avoid accidental discharge of static electricity, make sure that the proper measures are in place, according to local regulations.

3. PURPOSE

This unit is intended for cleaning air-driven spray guns with gravity fed paint cups that have been used for painting. Spray guns may be cleaned with solvent (all except DG2A/DI2A) or water.

Depending on model, DRESTER ACE units are equipped with one or two automatic washers for spray guns with gravity fed paint cups, and one or two manual sinks.

Automatic washers

Automatic washers are used with either thinner-based solvents, water-based solvents, or water (depending on model).

Manual sinks

Manual sinks are used to clean tools used in vehicle paint jobs, such as spray guns with suction fed paint cups, filler scrapers, and paint brushes.

Use either thinner-based solvents, water-based solvents, or water (depending on model).

Any other use of the unit is strictly forbidden.

4. TECHNICAL DATA

Manufacturer	HEDSON TECHNOLOGIES AB Hammarvägen 4 SE-232 37 Arlöv, Sweden
Tel.	+46 40 53 42 00
Type of unit	DRESTER ACE

Weight, kg (lb)	
DG2A/DI2A	80 (176)
DG2S/DI2S	80 (176)
DG4S/DI4S	100 (220)
DG2C/DI2C	80 (176)
DG3C/DI3C	90 (140)
DG4C/DI4C	100 (220)
Width, mm (in)	
DG2A/DI2A	840 (33.07)
DG2S/DI2S	840 (33.07)
DG4S/DI4S	1190 (46.85)
DG2C/DI2C	840 (33.07)
DG3C/DI3C	1190 (46.85)
DG4C/DI4C	1190 (46.85)
All models	
Height, mm (in)	1488 (58.58)
Max. depth, mm (in)	675 (26.57)
Depth at floor, mm (in)	621 (24.45)
Extractor diameter, mm (in)	100 (3.94)
Compressed air required, bar (psi)	7-12 (110-180)
Extraction requirement m ³ /h (cfm)	360 (212)
Sound pressure level, dB(A)	<70 dB(A)
Max. volume solvent/ water-based, liters	30+30
Max. drum size, liters	60
Pump capacity, liters/ minute	10
Solvent pressure, bar (psi)	2 (30)

5. PLACING THE UNIT

DRESTER ACE units are equipment Category 2 (ref. ATEX directive 2014/34/EU) and may therefore be placed in locations classified as Zone 1 (ref. ATEX directive 1999/92 EC).

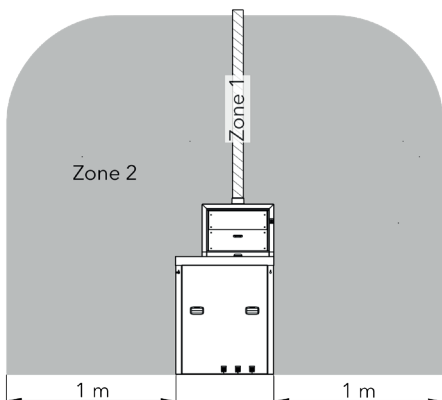
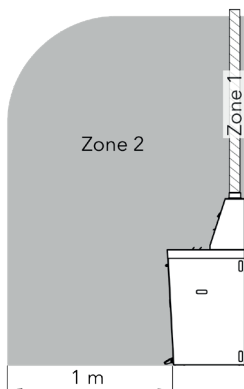
Drester Ace units are marked:



Ex h IIB T6 Ga Tamb 0°C to +45°C

If a DRESTER ACE unit is installed in locations classified as Zone 2 or in unclassified locations, the following is valid provided that the ventilation of the unit is installed as described in this manual:

- The space within 1 m of the DRESTER ACE unit is to be classified as Zone 2, and the inside of the ducting as Zone 1.
- The extent of the classified area can be reduced by means of ventilation.



- Within the classified areas, all equipment such as electrical items must be approved for the Zones described.



Warning!

- Equipment that generates naked flames or sparks (such as welding or grinding equipment) may **not** be used in this area.



Warning!

- Smoking is **not** permitted.

If in any doubt, please contact your local authorities for advice.

Note!

This manual is part of this unit and must be available at all times.

6. PERMITTED SOLVENTS



Warning!

- **Never** use any solvent lacking an MSDS (Material Safety Data Sheet). Read the MSDS carefully and follow all instructions and procedures.
If you need more information about the solvent, please contact your solvent supplier.
- **Never** add other chemicals to the solvent.

General

Note! Check for local regulations concerning the max. allowed volume of solvents kept in the unit.

All solvents must have a pH value between 4 and 10. **Do not** mix water-based solvents with thinner-based solvents.

Drester ACE

Note! All users must be informed about what solvent is being used, at all times.

Approved solvents Group IIA

Any solvents and solvent mixtures intended for spray gun cleaning that are classified as **Group IIA** according to EN 60079-20-1 may be used, such as acetone, toluene, isobutanol, xylene.

Water or water-based solvents may also be used in the automatic washer and manual sink for solvent-based paint.

Approved solvents Group IIB

In addition to solvents classified as Group IIA, solvents classified as **Group IIB** are approved for use in DRESTER ACE spray gun cleaners provided that the following conditions are met:

- An MESG (Maximum Experimental Safe Gap) value higher than 0.8 mm, and/or
- An MIC (Minimum Igniting Current) ratio higher than 0.7.
- The solvent volume **does not** exceed 70% of the solvent mixture used in the spray gun cleaner.

For any questions, please contact Hedson Technologies.

Manual sink for waterborne paint

In the manual sink for waterborne paint, only water may be used.

7. PERMITTED SOLVENT DRUMS

Regardless of type, all drums used in DRESTER ACE units must:

- fit into the unit.
- be leakfree.
- be made of a conductive material.

Note! Check local regulations concerning the maximum allowed volume of solvent inside the unit.

Note! Hedson Technologies does not provide solvent drums. Hedson Technologies does not accept any responsibility for drums used. Follow the solvent supplier's instructions carefully.

8. COLLECTING TRAY

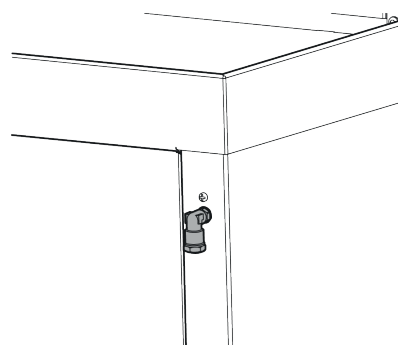
Install the unit so that any accidental leakage of solvent or contaminated water does not spread into any drain water system. To achieve this:

- Install the unit where the floor and walls can hold any accidental drum leakage, or
- Fit the unit with a collecting tray placed beneath the solvent drum and water container. The collecting tray should be large enough to hold the volume of at least one leaking drum.

9. ASSEMBLY

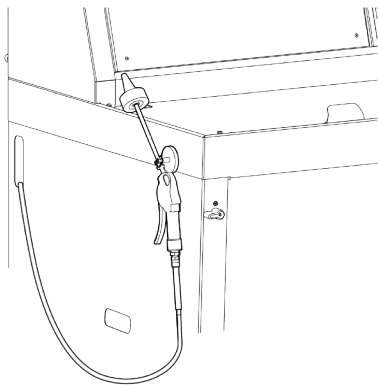
To assemble the unit:

1. Check the packaging for transport damages.
2. Remove the packaging and check that the unit has not been damaged during transport. If so, report this immediately to the transport company.
3. Attach a quick coupling to the **air line** on the right side of the unit.



This air line is used to blow out the spray gun after the cleaning procedure.

4. During transport, the **air gun** of the unit is placed inside the unit. Remove it and fasten it with its magnet in a convenient place.



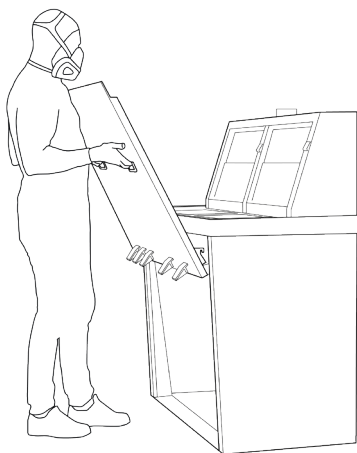
This air gun is used to dry the spray gun after the cleaning procedure.

10. INSTALLATION AND CONNECTION

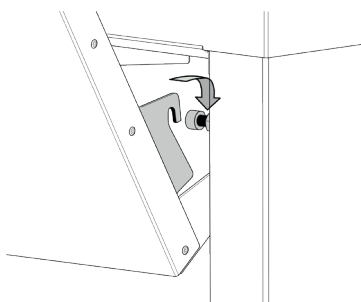
Raising and lowering the front panel

To raise the front panel:

1. Lift the front panel outward and upward.



2. Raise it evenly and secure it to its brackets.



To lower the front panel, raise it slightly to release its hooks, tilt it outward and lower it.

Removing the front panel

To remove the front panel:

1. Lift the panel outward.
2. Tilt the panel to one side.

This releases the rollers from the right/left roller tracks.

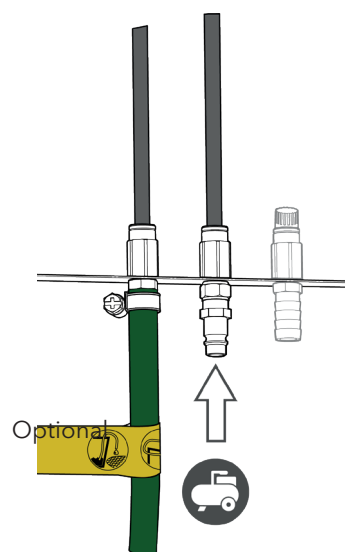
Compressed air

To prevent pressure drops, the air line and couplings must be adequately dimensioned. The regulator of this unit is preset to 6.5 bar (100 psi). This setting **must not** be altered.

The unit must be connected to compressed air of 7-12 bar (110-180 psi). When in use, the unit uses 150 liters/minute (6 cfm) of air. However, when the built-in ventilation is operating, the unit uses 450 liters/minute (16 cfm).

The compressed air must be clean and dry according to ISO 8573-1, Class 3.4.3 or better. Any pollutions in the compressed air will invalidate any warranty claims.

Connect the air supply to the 1/4" fitting. The air line can be routed to this point through the slots on the side of the unit or through the back of the unit.



Note!

Make sure that the air supply hose does not

interfere with the pneumatic components of the unit.

Grounding the unit



Warning!

- The unit must be properly grounded to avoid electrostatic discharge.

Ground the unit properly using the yellow-green grounding cable. Connect the grounding cable to a proper ground circuit according to local regulations.



Ventilation and Capture@Source

DRESTER ACE units use Hedson's Capture@Source high-speed extraction to capture harmful emissions close to their source, minimizing user exposure and solvent loss. The discreet vents of Hedson's Capture@Source help keeping the workspace open and easily accessible.

The unit can be ventilated in two ways. For both options, the air flow speed at the opening of the hood must comply with local laws and regulations.



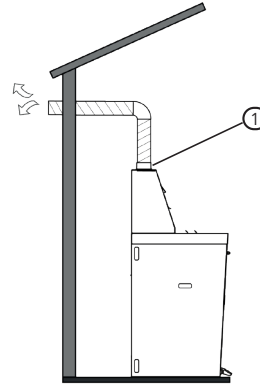
Warning!

- The ventilation must be connected so that **all** parts are grounded.

Option 1: If using the built-in ventilation nozzle, connect the flange of the hood (1) to a ventilation system approved for Zone 1.

Option 2: Connect the hood to an ATEX approved electric ventilator using a metal ducting. The

exhaust from the ventilator must be led outdoors. When using a central ventilations system the built in pneumatic extractor can be disconnected in order to reduce compressed air consumption. (See separate instruction in accessory bag with red 6mm plug)



11. PREPARATIONS FOR USE



Use eye protection



Use protective gloves



Use a protective mask

For all preparations, raise the front panel and secure it to its brackets, see **Installation and connection/Raising and lowering the front panel**.

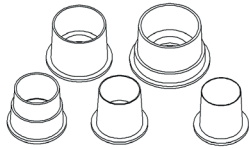
Solvent

Two solvent drums are needed, one empty and one full of solvent. They:

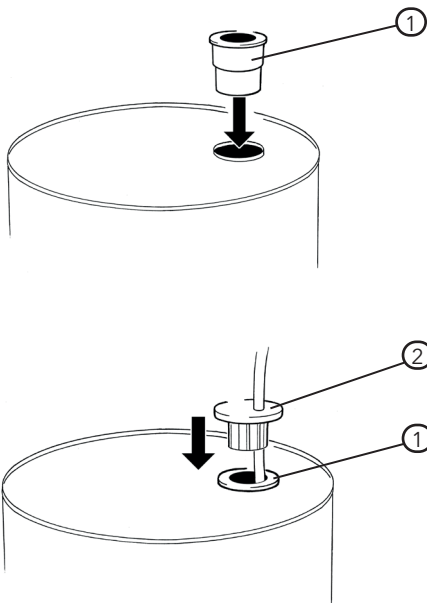
- have to be of the same size.
- have to meet the requirements described under **Permitted solvent drums**.
- have to be clean on the inside.
- **must not** contain any solids or other objects that could be sucked into the pumps when running.

Drum adapters

Boxes with a selection of tapered adapters are supplied with the unit.



Select adaptor that fit well into the opening of the drums (1), and fit the drum plug with hoses (2).

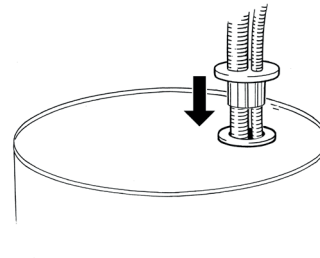


Solvent fill-up

Use one empty drum and another drum of the same size full of clean solvent.

Note! Make sure that all hoses are properly led into the drum all the way down to the bottom, and that the opening is well sealed by the tapered plug.

1. Place the empty drum to the left inside the unit. Insert the group of hoses containing the drain hose from the manual sink into this drum.



2. Pour half of the contents of the full drum directly into the manual sink of the spray gun cleaner. This solvent will drain into the drum underneath the sink.

Note! The ventilation must be running during this procedure.

3. Place the now half-full drum on the floor of the unit, to the right of the first drum. Insert the second group of hoses (containing a **white** hose) into this drum.

The solvent system is now filled up. Both drums should be half full. The left-hand drum contains the solvent that will be recirculating for the automatic prewash cycle. The right-hand drum contains clean solvent for rinsing. The contents of the right-hand drum will gradually be used up and transferred to the left drum.

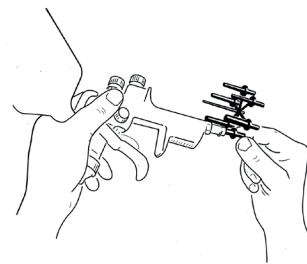
Current solvent

Note! All users must be informed about what solvent is being used, at all times.

Preparing the air line in the automatic washer

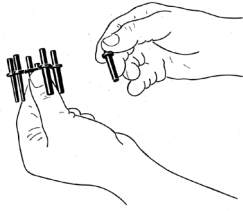
This unit is delivered with a set of conical plugs for the air line.

1. Select the plug that best fit the air inlet of the spray gun.

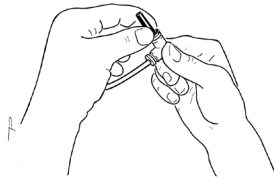


Drester ACE

2. Detach the plug.

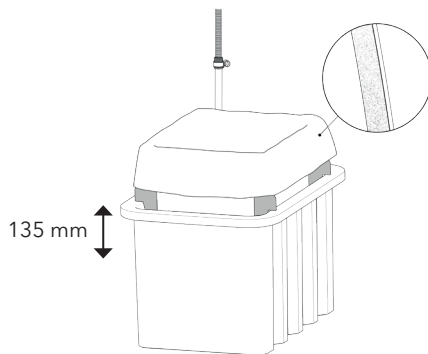


3. Fit it on the air line.



Water fill-up

Fill the filtrate container up to 135 mm below its upper edge with clean water.



12. COLOR CODING

Hoses for solvents or water in DRESTER ACE units are either black or white, as follows:

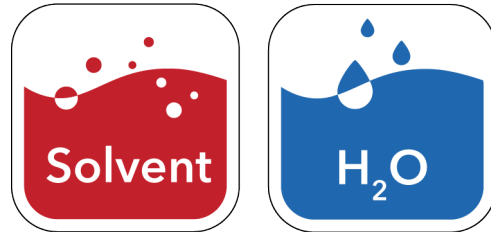
Hose color	Solvent or water
White	Clean
Black	Recirculating

Hose marking

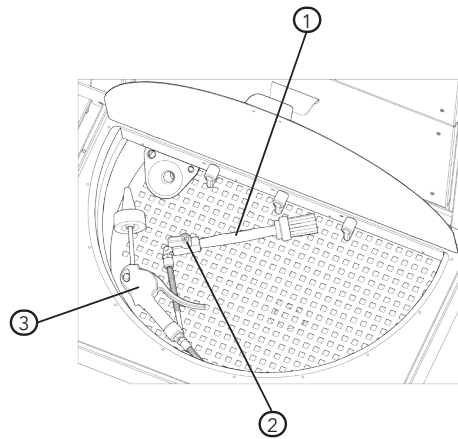
Hoses are marked **red** for solvent or **blue** for water or AQUASOLVE.

Wash area marking

Wash areas are marked by a **red** label for solvent or a **blue** label for water or AQUASOLVE.



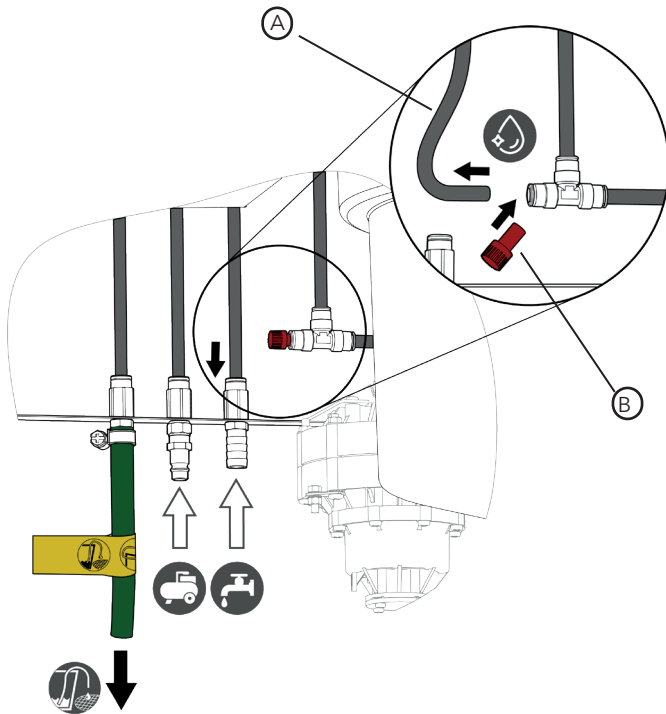
13. SETUP WITH TAP WATER CONNECTION



Item	Part
1	Brush
2	Ball valve (OPEN position)
3	Rinse gun

Units suitable for waterborne paint can be used with tap water if available at the site. In this case the tap water is used for the rinse gun (3)

14. OPERATION WITH TAP WATER CONNECTION



Item	Part
A	Hose for rinse gun
B	Red plug

Symbol	Function
	Drain (optional)
	Air line
	Tap water inlet
	Recirculating water

To operate the unit with a tap water connection, reroute the unit as follows:

1. Disconnect the blue 6 mm hose for the rinse gun (A) from the T-piece and fit it to the tap water inlet connector.

2. Put the red plug (B) into the cross-junction to plug the hole.

The rinse gun in the manual sink will now operate with tap water.

15. PREPARATIONS FOR OPERATION

Always wear the appropriate protective gear when operating the unit. Wear eye protection, protective gloves, and a protective mask.



Use eye protection

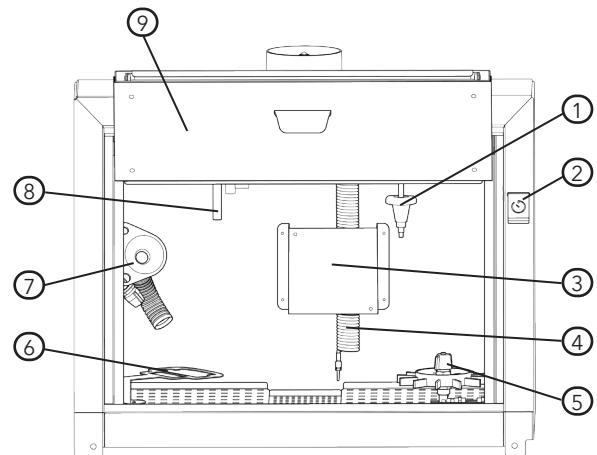


Use protective gloves



Use a protective mask

16. AUTOMATIC WASH



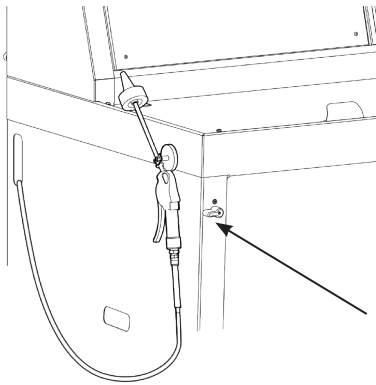
Item	Part
1	Nozzle for paint channel
2	Timer button (start pre-wash)
3	Plate for trigger clip
4	Air line
5	Paint cup holder
6	Lid holder
7	Funnel

Drester ACE

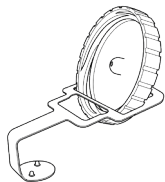
Item	Part
8	Solvent spray nozzle (only for solvent)
9	Lid

To use the automatic washer:

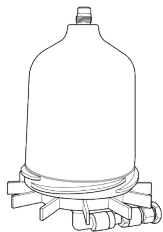
1. Empty any residual paint from the spray gun into a separate spills dish.
2. Make sure that the main valve for compressed air is open.




3. Open the lid (9) for the automatic washer.
4. Place the lid of the paint cup in the lid holder (6).



5. Place the paint cup on the paint cup holder (5).




6. Fit the trigger clip according to the illustrations in **Fitting the trigger clip**.
7. Connect the spray gun to the air line inside the automatic washer (4).

8. Push the spray gun up against the nozzle for the paint channel (1).
9. Lock the spray gun into position on its plate (3) using the magnets of the trigger clip.
10. Close the lid.
11. Start the automatic prewash cycle by pressing the  timer button (2).

The spray gun will be automatically cleaned for approx. 1.5 minutes.

12. When the cleaning procedure is completed, open the lid and remove the spray gun.

In units suitable for solvent-based paint, when the automatic prewash cycle is completed, the spray gun can be rinsed with clean solvent from the solvent spray nozzle (8).

13. For solvent-based paint: Press the  pedal to activate the rinsing pump. The pump keeps working as long as the pedal is pressed. 2-3 pump strokes will be sufficient for one rinse.

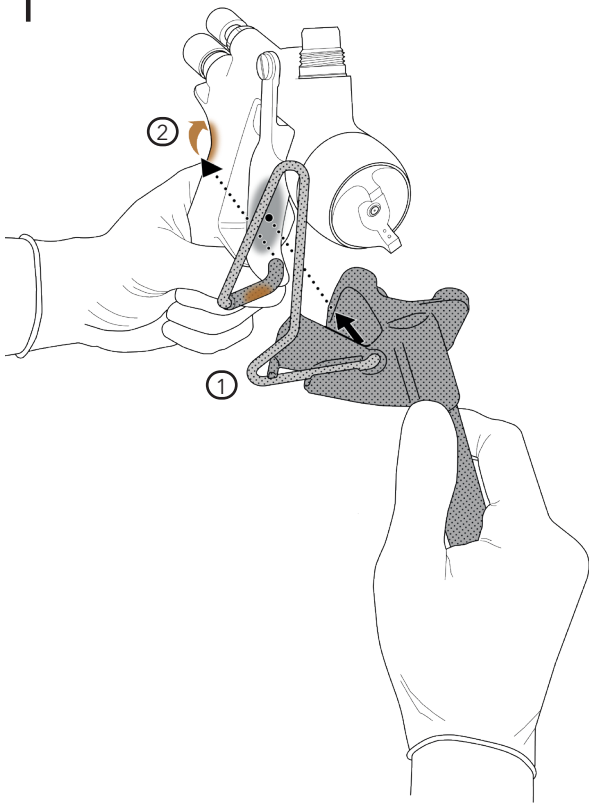
If required, the cleaned spray gun can be manually rinsed, see **Manual wash for solvent-based paint** or **Manual wash for waterborne paint**.

14. Connect the spray gun to the **air line** on the right side of the unit, and blow out the spray gun through the funnel (7). This funnel limits the spreading of fumes.

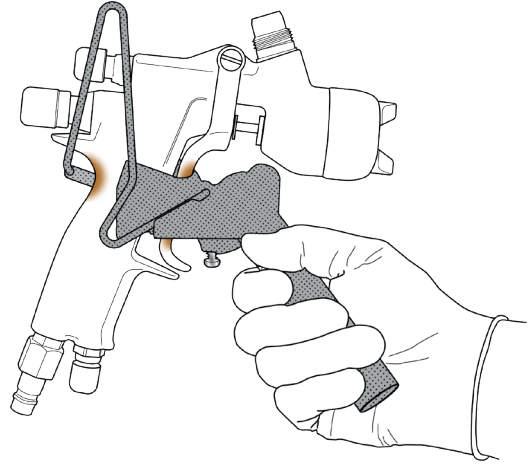
15. Blow the spray gun dry with the **air gun**.
16. Close the lid after cleaning.

17. FITTING THE TRIGGER CLIP

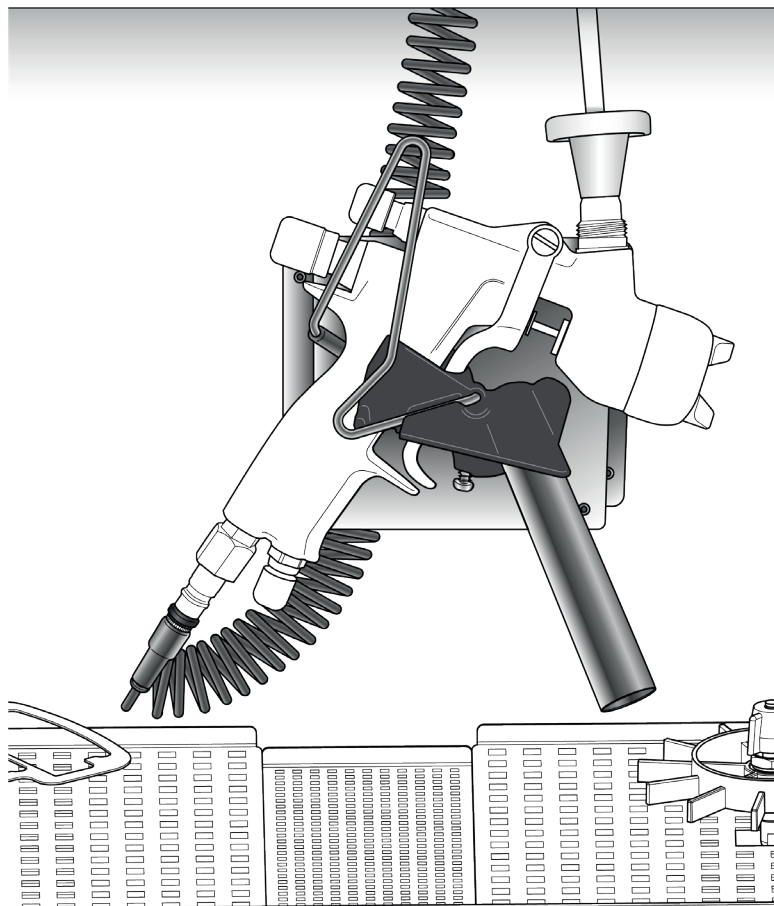
1



2

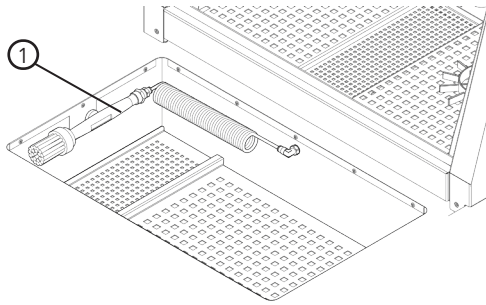


3



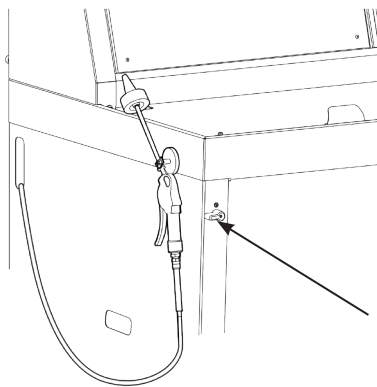
Drester ACE


18. MANUAL WASH FOR SOLVENT-BASED PAINT



To use the manual sink for solvent-based paint:

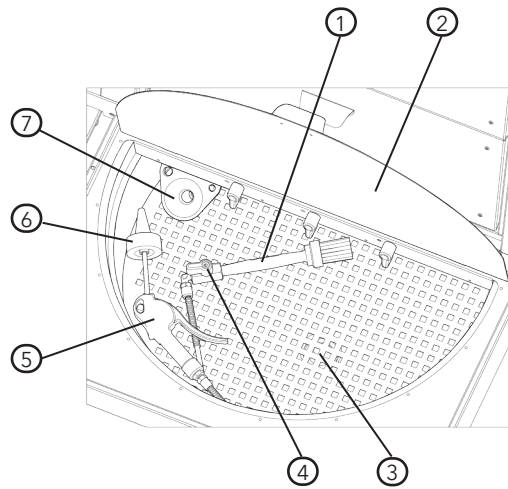
1. Empty any residual paint from the spray gun into a separate spills dish.
2. Make sure that the main valve for compressed air is open.



3. Open the lid.
4. By pressing the  pedal, recirculating solvent will be fed through the brush (1) in the manual sink.
5. Clean the spray gun with the brush.
6. Connect the spray gun to the **air line** on the right side of the unit, and blow out the spray gun through the funnel in the automatic washer. This funnel limits the spreading of fumes.
7. Blow the spray gun dry with the **air gun**.
8. Close both lids after cleaning.

The brush in the manual sink can be used independently of the automatic washer.

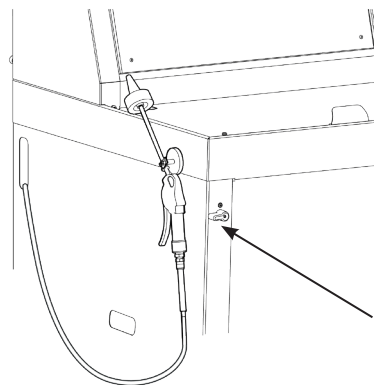
19. MANUAL WASH FOR WATERBORNE PAINT




Item	Part
1	Brush
2	Lid (optional)
3	Working platform
4	Ball valve (OPEN position)
5	Rinse gun
6	Tapered nozzle
7	Funnel

To use the manual sink for waterborne paint:

1. Empty any residual paint from the spray gun into a separate spills dish.
2. Make sure that the main valve for compressed air is open.



3. Open the lid (2, optional).
4. By pressing the  pedal, water will be fed through the brush (1) in the manual sink.

5. **Note!** The ball valve (4) on the brush must be **open**.
6. Clean the spray gun with the brush.
7. Rinse the paint channel of the spray gun with clean water by pressing the tapered nozzle (6) of the rinse gun (5) against the paint channel of the spray gun.
8. Rinse the outside of the spray gun with the **rinse gun**.
Note! When using the rinse gun, the ball valve on the brush should be **closed**.
9. Connect the spray gun to the **air line** on the right side of the unit, and blow out the spray gun through the funnel in the manual sink (7). This funnel limits the spreading of fumes.
10. Blow the spray gun dry with the **air gun**.
11. Close the lid after cleaning.

The brush and rinse gun in the manual sink can be used independently of the automatic washer.

20. COAGULATION PROCESS

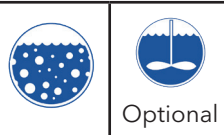

The coagulation process makes it possible to reuse cleaning water.


Note! Check with the appropriate authority whether filtered water from the coagulation process may be emptied to the regular drain water system. Information from the paint supplier may be required.

There are three valves inside the manual sink for waterborne paint, at the back wall.

Note! When **vertical**, these valves are **closed**.

The valves are marked as follows:





Symbol	Function
	Agitator/mixer Stirs the water polluted with paint to mix it with the coagulation powder. The mixer is optional.
	Pump Starts the pump for the optional drain outlet.

Symbol	Function
	Drain valve Opens a valve in order for the filtered water to be pumped to a drain. Note! The valve on the brush must be closed .

Emptying the filter container




When the water level reaches the working platform, it is time to perform the coagulation process.

1. Raise the front panel and secure it to its brackets.
2. Check that the filter container is empty. If not, empty filtrate container by hand.

- 1. Optional:** Units equipped with Water Valve kit
2. Turn the drain valve  to its open position.
3. Turn the ball valve on the brush in the manual sink to a **closed** position (item 4 in **Manual wash for waterborne paint**).
4. Start draining by opening the valve for the pump . The pump will drain the filtrate container completely through the drain hose and into the regular drain water system.
5. When the pump starts to run faster, the filtrate container is empty. Close the valve for the pump as well as for the drain ( and ).



Coagulation

Note! The coagulation process must form large flocks of coagulated paint. If not, filters will become obstructed and cannot be reused.

1. Remove the working platform (item 3 in **Manual wash for waterborne paint**).
2. Open the valve for the water agitator  (or optional mixer ).
3. Add the coagulation powder as recommended by the paint manufacturer.
4. Stir the powder with a stick for a moment to avoid it sinking to the bottom in lumps.
5. Allow the agitator  to run for a few minutes.
6. Stop the agitator occasionally for approx.

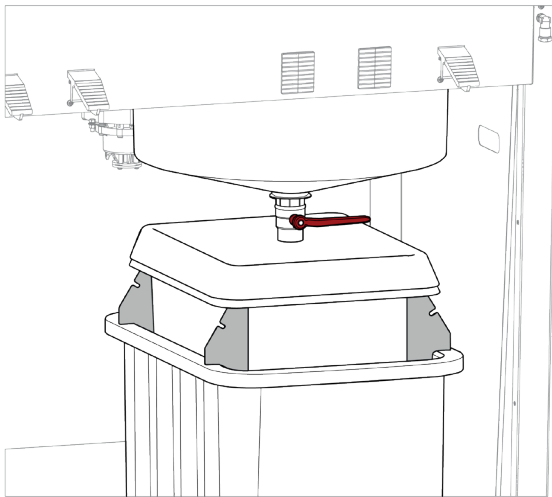
Drester ACE

30 seconds to improve the process. Total coagulation time is 3-4 minutes.

7. Close the valve for the agitator  (or mixer ).

Filtration

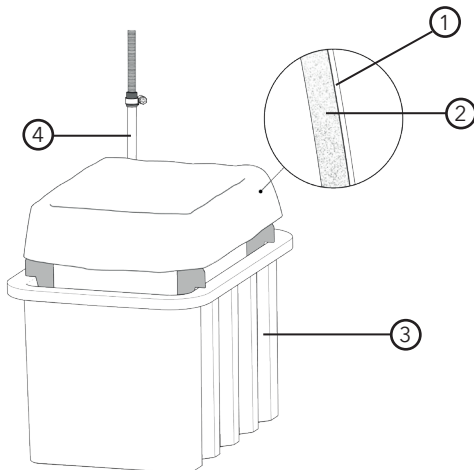
1. Open the drain valve at the bottom of the manual sink and drain the sink completely into the filter.



2. Clean the inside of the manual sink thoroughly with the brush (with recycled water). Any remains of residual flocks should be completely drained into the filter.
3. Close the drain valve.

21. REPLACING FILTERS

Note! Only use original DRESTER main filters and prefilters, since these are approved by paint manufacturers.



Item	Part
1	Prefilter
2	Main filter
3	Filtrate container
4	Strainer on suction pipe

The prefilter (1) collects most of the coagulated sludge, while the main filter (2) collects finer paint particles.

Remove the paint residues from the prefilter. Once the paint residues are completely dry, they are easy to remove. If the paint residues are removed after each coagulation process, the prefilter can be reused up to 10 times.

The main filter will gradually become blocked after trapping the finer paint particles. In general, the main filter can be used for up to 5 coagulation processes. However, the main filter must be changed every 1-2 months to prevent bacterial growth.

Note! Coagulation paint residue must be handled according to regulations from the appropriate authority. Information from the paint supplier may be required.

22. CONSUMABLES

Units suitable for waterborne paint, that is, DRESTER ACE DG2A/DI2A, DG2C/DI2C, DG3C/DI3C, and DG4C/DI4C, can be delivered with main filter, prefilter, DRESTER AQUASOLVE waterborne solvent and DRESTER FLOCCULATION POWDER. All consumables can be ordered from your local representative or Hedson Technologies.

23. MAINTENANCE

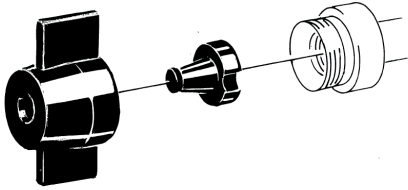
Every week

- Remove the strainers at the bottom of the automatic washers and clean them.

Note! Remember to refit!

Every month

- Remove all five nozzles in each automatic washer and clean them with clean solvent.



- Change the water completely.
- Change the main filter.

When replacing drums

- Check and, if required, clean the strainers on the suction hoses.

When changing filters

- Check and, if required, clean the strainer on the suction pipe (item 4 in **Replacing filters**).
- Remove the filtrate container (3) and empty it completely. Rinse it with water and wipe it off with cloth or paper.

24. END OF LIFE

Recycling should always be done in accordance with local laws and regulations.

DRESTER ACE units have been built to be completely recycled. The units consist of parts made from sheet metal, brass, and plastic.

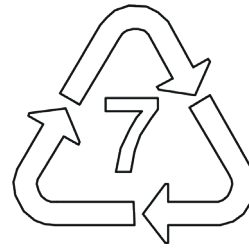
Sheet metal and brass

All sheet metal and brass parts can be scrapped for further recycling.

Plastic

All plastic parts have been marked with a resin identification code in the shape of a triangle and a code. All plastic parts should be recycled

according to their marking.



Drester ACE

25. INSTALLATION PROTOCOL

Check ...	Date	Signature
Drester ACE model: <input type="checkbox"/> DG2A/DI2A <input type="checkbox"/> DG2S/DI2S <input type="checkbox"/> DG4S/DI4S <input type="checkbox"/> DG2C/DI2C <input type="checkbox"/> DG3C/DI3C <input type="checkbox"/> DG4C/DI4C		
Measures are in place to avoid dangers from accidental spilling or leaks.		
Installation is made in accordance with applicable regulations and directives for hazardous locations.		
Unit is grounded in accordance with applicable regulations and directives for hazardous locations.		
Unit is properly ventilated and that ventilation is grounded in accordance with applicable regulations and directives for hazardous locations.		
The unit has no leaks in: <input type="checkbox"/> air supply <input type="checkbox"/> air lines <input type="checkbox"/> hoses for liquid		
All functions of the unit: <input type="checkbox"/> pedal(s) <input type="checkbox"/> brush(es) <input type="checkbox"/> air gun <input type="checkbox"/> spray nozzle <input type="checkbox"/> timer button		
This manual is available at the unit.		
Compressed air		
Compressed air is dry and free from oil according to ISO 8573-1, Class 3.4.3, or better.		
Compressed air lines and couplings are adequately dimensioned.		
For units suitable for cleaning waterborne paint		
Tap water setup: A/B A. Tap water is connected to the unit, or B. Unit is set for use with recirculating filtrate water, as described in this manual.		
A drain hose is routed from the unit to a drain. Y/N		
All filters for the coagulation process are fitted as described in this manual.		

26. TROUBLESHOOTING

If any problems remain after troubleshooting, contact a service technician.

For more information about DRESTER ACE units, see the following documents:

- spare parts list (for all models)
- pneumatic circuit (for each model)
- fluid circuit (for each model)

Problem	Cause	What to do
Limited or no flow during prewash cycle.	Strainer on suction hose blocked.	Clean or replace.
	Suction hose does not pick up solvent.	Check suction hose for leaks. Check whether solvent drum is empty.
	Spray nozzles in automatic washer blocked.	Remove and clean nozzles.
	Check valves in pump blocked or not sealing.	Remove pump connectors, clean valves, and remove blockage.
Pump does not stop after 1.5 minutes.	Timer air leak unit blocked.	For replacement, contact a service technician.
	Start valve leaking continuously.	For replacement, contact a service technician.
Prewash pump does not operate.	Check air pressure and feed hose.	Make sure air feed to unit is according to technical data.
	Check start valve function.	For replacement, contact a service technician.
	Lid arm does not reach the safety valve.	Adjust lid arm position.
	Safety valve does not work.	For replacement, contact a service technician.
Ventilation does not start when lid is opened.	Safety valve does not work.	For replacement, contact a service technician.
	Lid arm does not reach the safety valve.	Adjust lid arm position.
Manual spray nozzle in automatic washer does not work when pedal is pressed.	Spray valve does not work.	Check pedal and valve function. For replacement, contact a service technician.

Drester ACE

Problem	Cause	What to do
Manual spray nozzle does not spray solvent.	6 mm suction hose does not pickup solvent.	Check that suction hose reaches down into solvent drum.
	Nozzle blocked by debris.	Remove 6 mm suction hose from drum and use air gun to back flush nozzle.
Extraction does not work properly.	Air line, air feed, or air pressure limited.	Make sure air feed to unit is according to technical data.
	Ventilation nozzle blocked, for example by paint build-up.	For replacement, contact a service technician.

1. DOKUMENTETS OMFATTNING

Detta dokument gäller för följande DRESTER sprutpistolvtättrar:

- DRESTER ACE Double Aqua (DG2A/DI2A)
- DRESTER ACE Double Solvent (DG2S/DI2S)
- DRESTER ACE Quattro Solvent (DG4S/DI4S)
- DRESTER ACE Double Combo (DG2C/DI2C)
- DRESTER ACE Triple Combo (DG3C/DI3C)
- DRESTER ACE Quattro Combo (DG4C/DI4C)

Double/Triple/Quattro = 2/3/4 tvättutrymmen in enheten.

Modellbeteckning som slutar med ett A = Enheten är avsedd för vattenbaserad färg (Aqua).

Modellbeteckning som slutar med ett S = Enheten är avsedd för lösningsmedelsbaserad färg (Solvent).

Modellbeteckning som slutar med ett C = Enheten är avsedd för både vattenbaserad och lösningsmedelsbaserad färg (Combo).

Alla instruktioner gäller för alla modeller, om inget annat anges.

2. SÄKERHETSINFORMATION

Felaktig användning av DRESTER sprutpistolvtättrar kan medföra risker.

Felaktigt val eller hantering av dunkar eller lösningsmedel kan också medföra risker.

För att bibehålla enhetens höga säkerhetsstandard, följ instruktionerna nedan strikt.

- Läs och förvissa dig om att du förstår all information i denna bruksanvisning.
- Förvara denna bruksanvisning i närheten av enheten. Säkerställ att den är i läsligt skick.
- Säkerställ att alla användare vet var bruksanvisningen finns.
- Eventuella anvisningar ska utgå från denna bruksanvisning och skrivas på det språk som användaren talar.

- Installera enheten enligt beskrivningen i denna bruksanvisning.
- Använd enheten enligt beskrivningen i denna bruksanvisning.
- Underhåll enheten enligt beskrivningen i denna bruksanvisning.
- Använd endast originalreservdelar.
- Modifiera inte enheten på något sätt.
- Använd inte enheten om den inte är ordentligt ventilerad med tillräckligt utsug av ångor.
- Undvik kontakt med vätskor och ångor. Läs lösningsmedlens säkerhetsdatablad (MSDS).
- Bär korrekt skyddsutrustning:
 - » Kemikaliebeständiga glasögon för att skydda ögonen.
 - » Kemikaliebeständiga handskar för att förhindra hudkontakt.
 - » Kemikaliebeständiga kläder som skydd mot spill eller stänk.



Använd ögonskydd



Använd skyddshandskar



Använd skyddsmask

- Personer som lider av andningsproblem eller allergier mot de lösningsmedel som används får inte använda enheten.
- Städa bort spill omedelbart.
- För att undvika oavsiktligt läckage och spill från dunkar, säkerställ att korrekta åtgärder vidtagits.
- Rök, ät eller drick inte i närheten av enheten.



Eld, öppen låga och rökning är strängt förbjudna

- En säkerhetsventil avbryter den automatiska tvättcykeln om luckan öppnas innan tvättcykeln är färdig. Vid fel, eller misstänkta fel, på säkerhetsventilen får enheten **inte** användas förrän säkerhetsventilen har reparerats.

Drester ACE

- Sprutpistoler eller annan lackeringsutrustning som rengörs i enheten måste vara lämpade för rengöring i ett zon 1-område (se DIREKTIV 1999/92/EC) om enheten används med brandfarliga lösningsmedel.
- Enheten måste vara korrekt jordad i enlighet med gällande lokala föreskrifter.
- För att undvika statisk elektricitet, säkerställ att korrekta åtgärder vidtagits, i enlighet med lokala föreskrifter.

3. SYFTE

Denna enhet är avsedd för rengöring av tryckluftsmatade sprutpistoler med överliggande kopp som använts för lackering. Sprutpistoler kan rengöras med lösningsmedel (alla utom DG2A/DI2A) eller vatten.

Beroende på modell är DRESTER ACE-enheter utrustade med en eller två automattvättar för sprutpistoler med överliggande kopp och en eller två manuella vaskar.

Automattvättar

Automattvättar används med antingen thinnerbaserade lösningsmedel, vattenbaserade lösningsmedel eller vatten (beroende på modell).

Manuella vaskar

Manuella vaskar används för att rengöra verktyg som använts vid billackeringsarbeten, som sugmatade sprutpistoler, spackelskrapor och färgpenslar.

Använd antingen thinnerbaserade lösningsmedel, vattenbaserade lösningsmedel eller vatten (beroende på modell).

All annan användning av enheten är strängt förbjuden.

4. TEKNISKA DATA

Tillverkare	HEDSON TECHNOLOGIES AB Hammarvägen 4 232 37 Arlöv
Tel.	040 - 53 42 00
Typ av enhet	DRESTER ACE

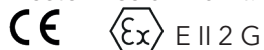
Vikt, kg (lb)	
DG2A/DI2A	80 (176)
DG2S/DI2S	80 (176)
DG4S/DI4S	100 (220)
DG2C/DI2C	80 (176)
DG3C/DI3C	90 (140)
DG4C/DI4C	100 (220)
Bredd, mm (in)	
DG2A/DI2A	840 (33.07)
DG2S/DI2S	840 (33.07)
DG4S/DI4S	1190 (46.85)
DG2C/DI2C	840 (33.07)
DG3C/DI3C	1190 (46.85)
DG4C/DI4C	1190 (46.85)
Alla modeller	
Höjd, mm (in)	1488 (58.58)
Max. djup, mm (in)	675 (26.57)
Djup vid golvet, mm (in)	621 (24.45)
Utsugdiameter, mm (in)	100 (3.94)
Tryckluft som krävs, bar (psi)	7-12 (110-180)
Ventilationsbehov m ³ /h (cfm)	360 (212)
Ljudtrycksnivå, dB(A)	<70 dB(A)
Max. volym lösnings-/vattenbaserad, liter	30+30
Max. dunkstorlek, liter	60
Pumpkapacitet, liter/minut	10
Lösningsmedelstryck, bar (psi)	2 (30)

5. ENHETENS PLACERING

Drester ACE

DRESTER ACE-enheter är utrustning av kategori 2 (se ATEX-direktiv 2014/34/EU) och kan därför placeras på platser klassificerade som zon 1 (se ATEX-direktiv 1999/92 EC).

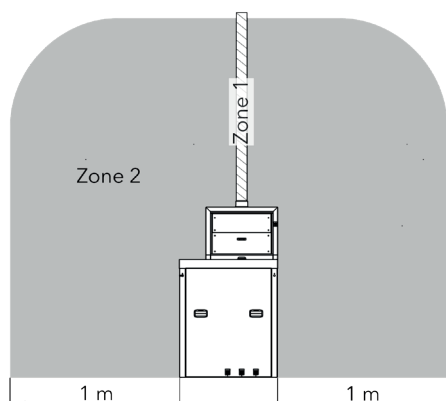
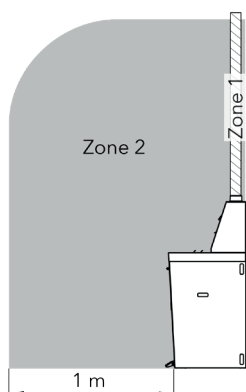
Drester Ace är märkt:



Ex h IIB T6 Ga Tamb 0°C to +45°C

Om en DRESTER ACE-enhet installeras på en plats klassificerad som zon 2 eller på oklassificerad plats, gäller följande under förutsättning att enhetens ventilation installeras enligt beskrivningen i denna bruksanvisning:

- Området inom 1 m kring DRESTER ACE-enheten ska klassificeras som zon 2 och insidan av kanalen som zon 1.
- Det klassificerade områdets utsträckning kan minskas med hjälp av ventilation.



- Inom de klassificerade områdena måste all utrustning, som elektrisk utrustning, vara godkänd för de beskrivna zonerna.



Varning!

- Utrustning som skapar öppen låga eller gnistor (som svets- och sliputrustning) får **inte** användas i detta område.



Varning!

- Rökning är **inte** tillåten.

Vid tveksamheter, kontakta lokala myndigheter för rådgivning.

Obs!

Denna bruksanvisning är en del av enheten och måste alltid finnas tillgänglig.

6. TILLÅTNA LÖSNINGSMEDEL



Varning!

- Använd **aldrig** lösningsmedel som saknar säkerhetsdatablad (MSDS). Läs säkerhetsdatabladet noggrant och följ alla instruktioner och rutiner. Om du behöver mer information om lösningsmedlet, kontakta lösningsmedelsleverantören.
- Tillsätt **aldrig** andra kemikalier till lösningsmedlet.

Allmänt

Obs! Kontrollera lokala föreskrifter gällande maximalt tillåten volym lösningsmedel i enheten.

Alla lösningsmedel måste ha ett pH-värde mellan 4 och 10. Blanda **inte** vattenbaserade lösningsmedel med thinnerbaserade lösningsmedel.

Obs! Alla användare måste alltid vara informerade om vilket lösningsmedel som används.

Godkända lösningsmedel Grupp IIA

Alla lösningsmedel och blandningar av lösningsmedel som är avsedda för rengöring av sprutpistoler och som är listade som **Grupp IIA** enligt EN 60079-20-1 kan användas, som aceton, toluen, isobutanol, xylen.

Vatten eller vattenbaserade lösningsmedel kan också användas i automattvätten och den manuella vasken för lösningsmedelsbaserad färg.

Godkända lösningsmedel Grupp IIB

Förutom lösningsmedel klassificerade som Grupp IIA, är lösningsmedel klassificerade som Grupp IIB godkända för användning i DRESTER ACE sprutpistol tvättar om följande villkor är uppfyllda:

- Ett MESG-värde (Maximum Experimental Safe Gap) högre än 0.8 mm, och/eller
- Ett MIC-förhållande (Minimum Igniting Current) högre än 0.7.
- Lösningsmedelsvolymen överstiger **inte** 70% av den lösningsmedelsblandning som används i sprutpistol tvätten.

För eventuella frågor, kontakta Hedson Technologies.

Manuell vask för vattenbaserad färg

I den manuella vasken för vattenbaserad färg får endast vatten användas.

7. TILLÅTNA LÖSNINGSMEDELSDUNKAR

Oavsett typ måste alla dunkar som används i DRESTER ACE-enheter:

- passa i enheten.
- vara täta.
- vara tillverkade av ett elektriskt ledande material.

Obs! Kontrollera lokala föreskrifter gällande maximalt tillåten volym lösningsmedel i enheten.

Obs! Hedson Technologies tillhandahåller inte lösningsmedelsdunkar. Hedson Technologies tar inte något ansvar för de dunkar som används. Följ lösningsmedelsleverantörens instruktioner noggrant.

8. UPPSAMLINGSKÄRL

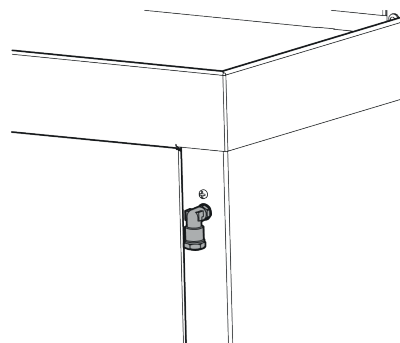
Installera enheten så att oavsiktligt läckage av lösningsmedel eller förorenat vatten inte sprids till något avloppssystem. För att åstadkomma detta:

- Installera enheten där golv och väggar rymmer oavsiktligt läckage från dunkar, eller
- Montera ett uppsamlingskärl på enheten under lösningsmedelsdunken och vattenbehållaren. Uppsamlingskärlet ska vara stort nog att rymma volymen hos minst en läckande dunk.

9. MONTERING

För att montera enheten:

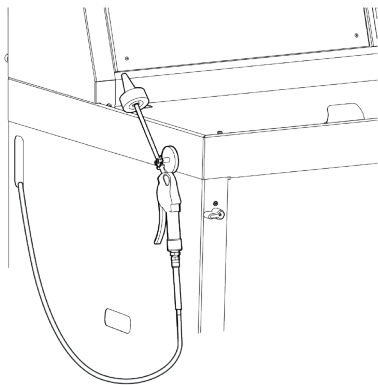
1. Kontrollera om emballaget skadats under transporten.
2. Ta av emballaget och kontrollera att enheten inte skadats under transporten. I så fall, rapportera omedelbart detta till transportföretaget.
3. Fästensnabbkoppling på **luftslangen** på enhetens högra sida.



Denna luftslang används för att blåsa ur sprutpistolen efter tvätt.

4. Under transporten är enhetens **luftpistol** placerad

inuti enheten. Ta ut den och fäst den med magneten på lämpligt ställe.



Denna luftpistol används för att torka sprutpistolen efter tvätt.

10. INSTALLATION OCH ANSLUTNING

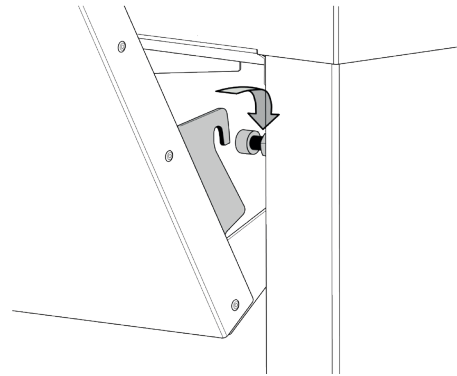
Höja och sänka frontpanelen

För att höja frontpanelen:

1. Lyft frontpanelen utåt och uppåt.



2. Höj den jämnt och fäst den säkert på fästena.



För att sänka frontpanelen, höj den något för att frigöra hakarna, luta den utåt och sänk den.

Ta bort frontpanelen

För att ta bort frontpanelen:

1. Lyft panelen utåt.
2. Luta panelen åt ena sidan.

Detta frigör rullarna från höger/vänster spår.

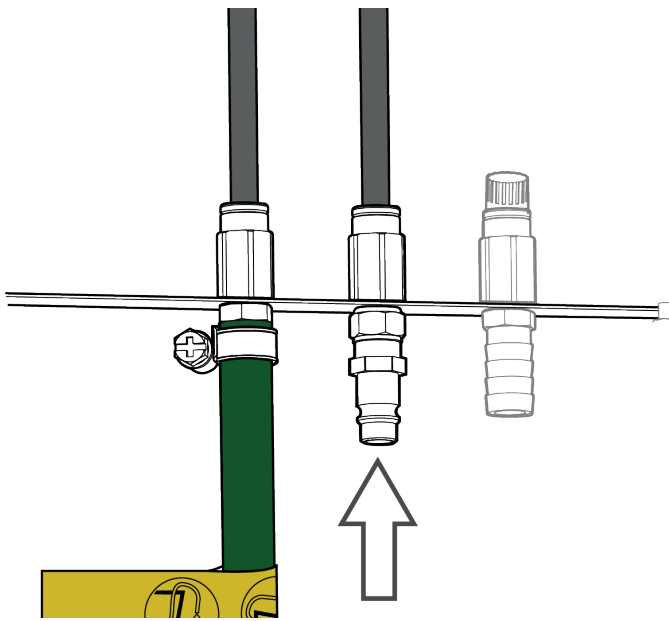
Tryckluft

För att förhindra tryckluftsfall måste luftslangen och kopplingarna vara rätt dimensionerade. Enhetens regulator är förinställd på 6.5 bar (100 psi). Denna inställning får **inte** ändras.

Enheten måste vara ansluten till tryckluft med ett tryck på 7-12 bar (110-180 psi). Vid användning använder enheten 150 liter/minut (6 cfm) luft. När den inbyggda ventilationen är i drift använder enheten 450 liter/minut (16 cfm).

Tryckluften måste vara ren och torr i enlighet med ISO 8573-1, klass 3.4.3 eller bättre. Eventuella föroreningar i tryckluften ogiltigförklarar eventuella garantianspråk.

Anslut lufttillförseln till 1/4"-anslutningen. Luftslangen kan ledas till hit genom springorna i enhetens sida eller genom enhetens baksida.



Obs!

Säkerställ att slangen för lufttillförseln inte stör enhetens pneumatiska komponenter.

Jorda enheten



Varning!

- Enheten måste vara ordentligt jordad för att förhindra statisk elektricitet.

Jorda enheten ordentligt med en gulgrön jordkabel. Anslut jordkabeln till hålet på enhetens baksida som är märkt med jordsymbolen.



Ventilation och Capture@Source

DRESTER ACE-enheter använder Hedsons Capture@Source höghastighetsutsug för att fånga in skadliga utsläpp nära källan, vilket minimerar exponeringen för användaren och lösningsmedelsförluster. Hedsons Capture@Source diskreta utsug bidrar till att hålla arbetsutrymmet öppet och lättillgängligt.

Enheten kan ventileras på två sätt. För båda alternativen måste luftflödes hastigheten vid huvens öppning uppfylla lokala lagar och regler.

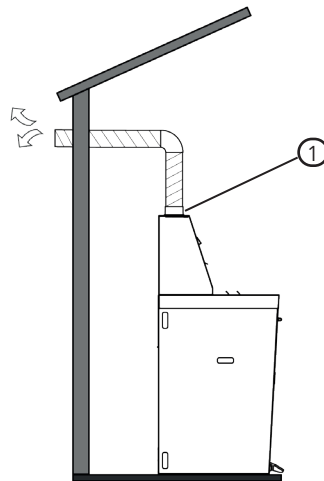


Varning!

- Ventilationen måste anslutas så att **alla** delar är jordade.

Alternativ 1: Om det inbyggda ventilationsmunstycket används, anslut huvens fläns (1) till ett ventilationssystem godkänt för zon 1.

Alternativ 2: Anslut huvens till en ATEX-godkänd elektrisk fläkt med hjälp av ett metallrör. Fläktens utlopp ska ledas ut utomhus. När centralutsug används, kan den pneumatiska utsugsfunktionen inaktiveras genom urkoppling. Detta minskar tryckluftsförbrukningen. (Se separat instruktion i tillbehörspåse innehållande en röd 6mm plug)



11. FÖRBEREDELSE FÖR ANVÄNDNING



Använd ögonskydd



Använd skyddshandskar



Använd skyddsmask

För alla förberedelser, lyft frontpanelen och fäst den säkert på fästena, se **Installation och anslutning/Höja och sänka frontpanelen**.

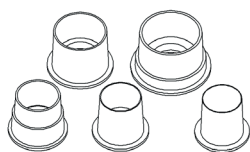
Lösningsmedel

Två lösningsmedeldunkar behövs, en tom och en full av lösningsmedel. De:

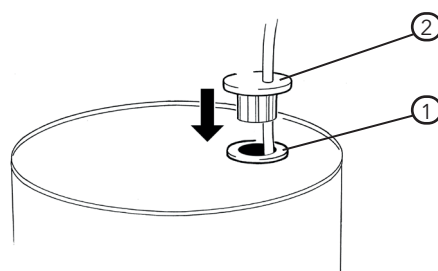
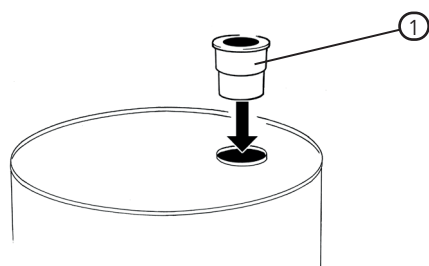
- måste vara lika stora.
- måste uppfylla kraven under **Tillåtna lösningsmedeldunkar**.
- måste vara rena på insidan.
- får **inte** innehålla några fasta ämnen eller andra föremål som kan sugas in i pumparna vid drift.

Dunkpluggar

Med enheten levereras lådor med ett urval av koniska pluggar.



Välj pluggar som passar väl i dunkarnas öppning (1), och montera dem på slangarnas dunkadapter (2).

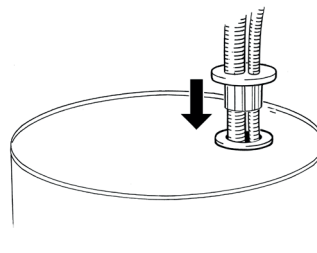


Påfyllning av lösningsmedel

Använd en tom dunk och en annan dunk av samma storlek som är full av rent lösningsmedel.

Obs! Säkerställ att alla slangar leds ner i dunken ordentligt ända ned till botten och att öppningen är väl förseglad med den koniska pluggen

1. Placera den tomma dunken till vänster inuti enheten. Stick in den grupp av slangar som innehåller dräneringsslangen från den manuella vasken i denna dunk.



2. Häll hälften av innehållet i den fulla dunken direkt i sprutpistolvättens manuella vask. Detta lösningsmedel rinner ned i dunken under vasken.

Obs! Ventilationen måste vara på under denna procedur.

3. Placera dunken som nu är halvfull på golvet i enheten, till höger om den första dunken. Stick in den andra gruppen med slangar (som innehåller en **vit** slang) i denna dunk.

Lösningsmedelssystemet är nu fyllt. Båda dunkarna ska vara halvfulla. Den vänstra dunken innehåller det lösningsmedel som kommer att recirkulera i den automatiska förtvättcykeln. Den högra dunken innehåller rent lösningsmedel för sköljning. Innehållet i den högra dunken kommer gradvis att användas och överförs till den vänstra dunken.

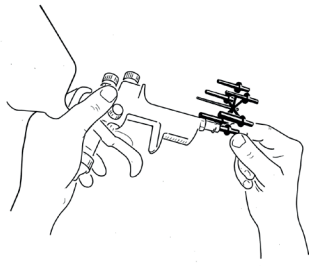
Aktuellt lösningsmedel

Obs! Alla användare måste alltid vara informerade om vilket lösningsmedel som används.

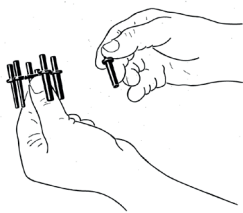
Förbereda luftslangen i automattvätten

Med enheten levereras en uppsättning koniska pluggar för luftslangen.

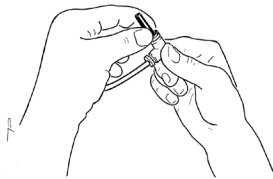
1. Välj den plugg som passar bäst i sprutpistolens luftanslutning.



2. Lossa pluggen.

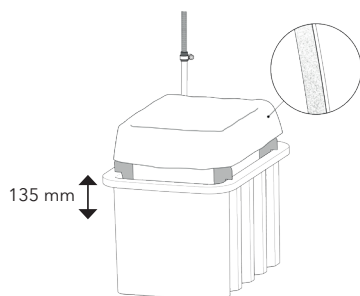


3. Montera den på luftslangen.



Påfyllning av vatten

Fyll filtratkarlet till 135 mm under överkanten med rent vatten.



12. FÄRGKODER

Slangar för lösningsmedel eller vatten i DRESTER ACE-enheter är antingen svarta eller vita, enligt följande:

Slangfärg	Lösningsmedel eller vatten
Vit	Rent
Svart	Recirkulerande

Märkning av slangar

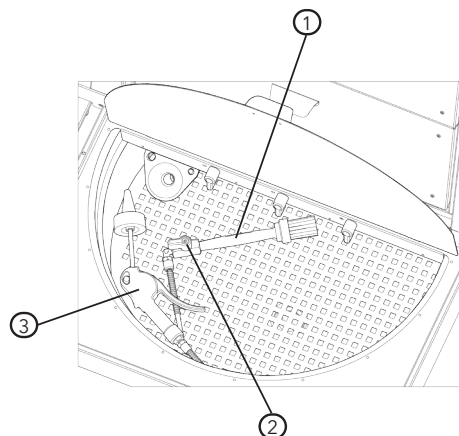
Slangar är märkta med **rött** för lösningsmedel eller **blått** för vatten eller AQUASOLVE.

Märkning av tvättutrymmen

Tvättutrymmen är märkta med en **röd** etikett för lösningsmedel eller en **blå** etikett för vatten eller AQUASOLVE.



13. INSTÄLLNING MED KRANVATTENANSLUTNING

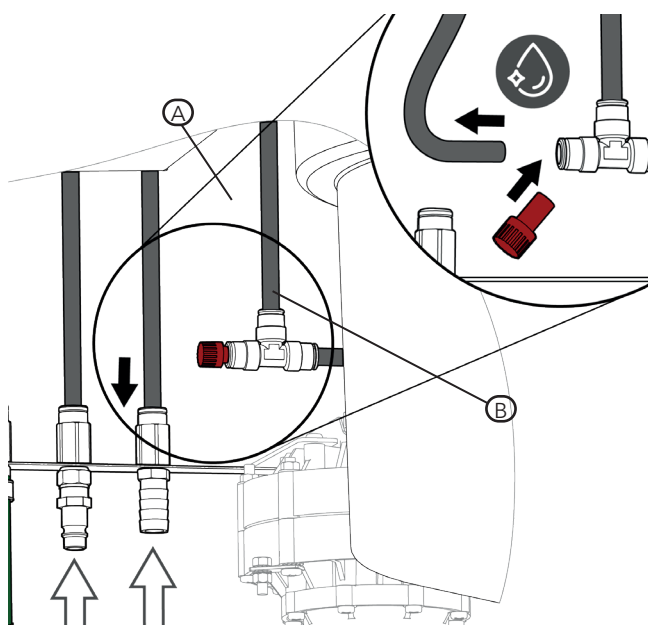


Pos.	Del
1	Borste
2	Kulventil (ÖPPET läge)
3	Sköljpistol





Drester ACE

Enheter lämpade för vattenbaserad färg kan användas med kranvatten om det finns tillgängligt. Kranvatten kopplas då till sköljpistolen (3).

14. DRIFT MED KRANVATTENANSLUTNING



Pos.	Del
A	Slang till sköljpistol
B	Röd plugg

Symbol	Funktion
	Dränering
	Luftslang
	Kranvatten
	Recirkulerande vatten

För att använda enheten MED kranvattenanslutning, ändra enheten enligt följande:

1. Lossa den svarta 8 mm slangen för sköljpistolen (A) från T-kopplingen.
2. Montera den svarta 8 mm slangen i kopplingen för inkommande kranvatten

3. Sätt i den röda pluggen (B) i T-kopplingen
Sköljpistolen i den manuella vasken kommer nu använda kranvatten.

15. FÖRBEREDELSE FÖR DRIFT

Använd alltid korrekt skyddsutrustning när enheten körs. Bär ögonskydd, skyddshandskar och skyddsmask.



Använd ögonskydd

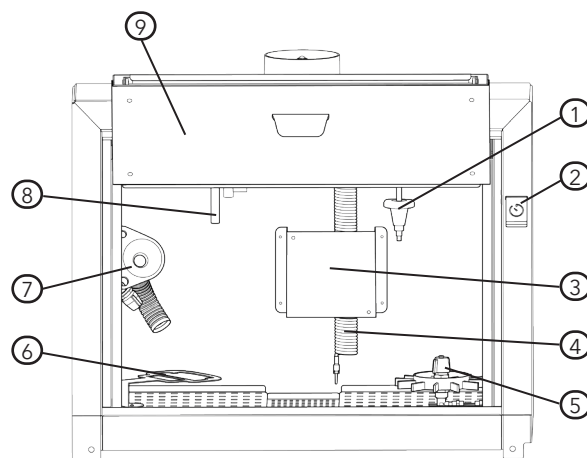


Använd skyddshandskar



Använd skyddsmask

16. AUTOMATTVÄTT



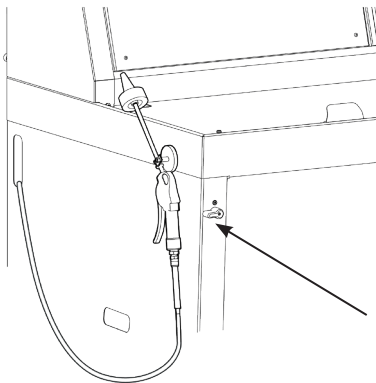
Pos.	Del
1	Munstycke för färgkanal
2	Timerknapp (Start förtvätt)
3	Plåt för bygelklämma
4	Luftslang
5	Hållare för färgkopp
6	Lockhållare
7	Tratt
8	Sprutmunstycke för lösningsmedel (endast för lösningsmedel)

Drester ACE

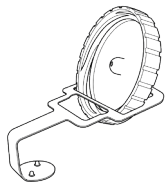
Pos.	Del
9	Lock

För att använda automattvätten:

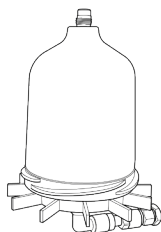
1. Töm eventuella färgrester i sprutpistolen i ett separat spillfat.
2. Säkerställ att huvudventilen för tryckluft är öppen.



3. Öppna luckan (9) till automattvätten.
4. Placera locket till färgkoppen i lockhållaren (6).



5. Placera färgkoppen på hållaren för färgkoppen (5).



6. Montera bygelklämman enligt illustrationerna i **Montera bygelklämman**.
7. Anslut sprutpistolen till luftslangen inuti automattvätten (4).
8. Tryck sprutpistolen upp mot munstycket för färgkanalen (1).
9. Fäst sprutpistolen i rätt läge på dess plåt (3) med hjälp av bygelklämmans magneter.

10. Stäng luckan.

11. Starta den automatiska förtvättcykeln genom att trycka på timerknappen (2).

Sprutpistolen tvättas automatiskt i cirka 1.5 minut.

12. När rengöringen är slutförd, öppna luckan och ta ut sprutpistolen.

När den automatiska förtvättcykeln är slutförd i enheter lämpade för lösningsmedelsbaserad färg, kan sprutpistolen sköljas med rent lösningsmedel från sprutmunstycket för lösningsmedel (8).

13. För lösningsmedelsbaserad färg: Trampa på pedalen (3) för att aktivera sköljpumpen. Pumpen fortsätter arbeta så länge pedalen är nedtryckt. 2-3 pumpslag räcker till en sköljning.

Vid behov kan den rengjorda sprutpistolen sköljas för hand, se **Manuell tvätt för lösningsmedelsbaserad färg** eller **Manuell tvätt för vattenbaserad färg**.

14. Anslut sprutpistolen till **luftslangen** på enhetens högra sida och blås ur sprutpistolen genom tratten (7). Denna tratt begränsar spridningen av ångor.

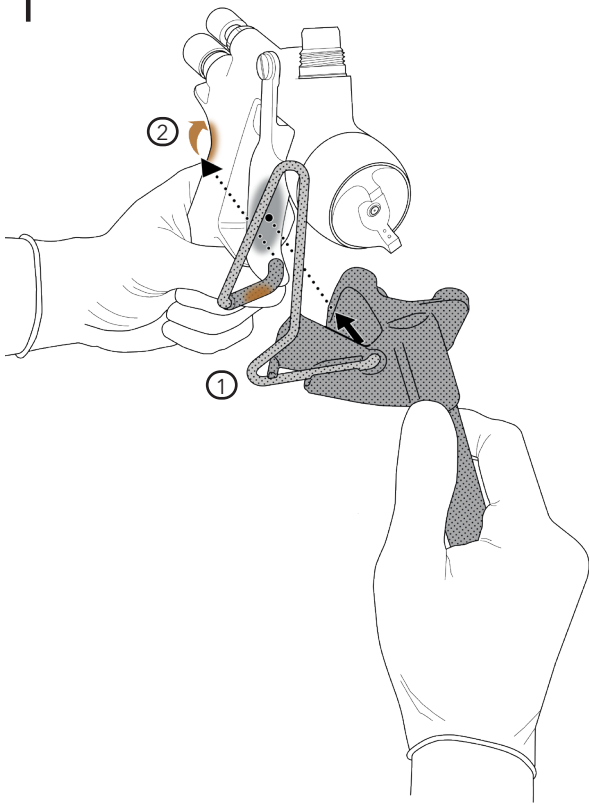
15. Blås sprutpistolen torr med **luftpistolen**.

16. Stäng luckan efter rengöringen.

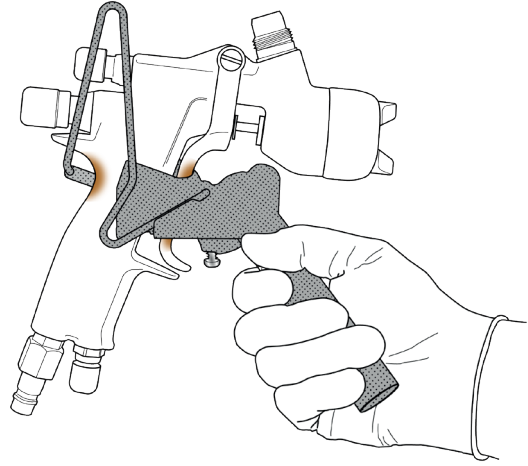
17. MONTERA BYGELKLÄMMAN

18. MANUELL TVÄTT FÖR LÖSNINGSMEDELSBASERAD FÄRG

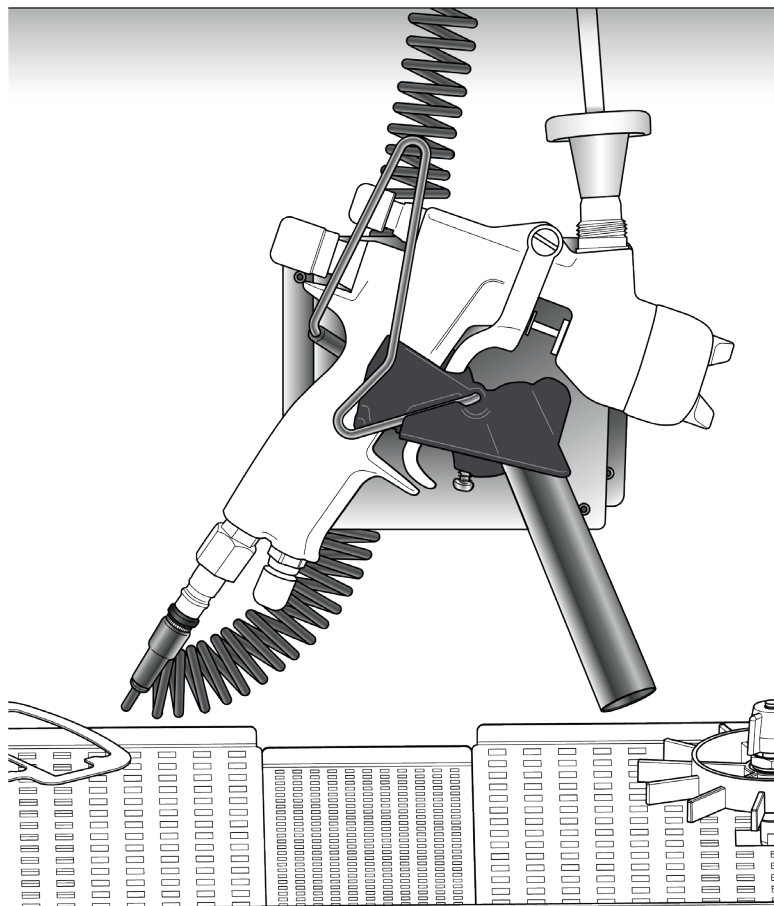
1



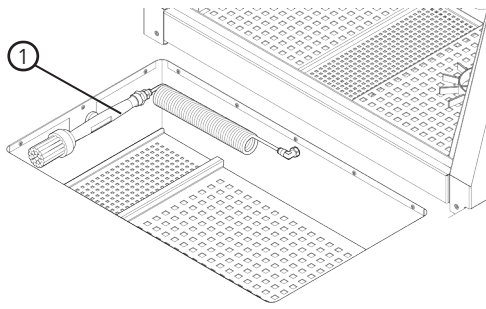
2



3

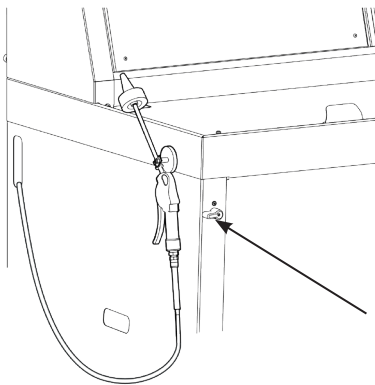



Drester ACE



För att använda den manuella vasken för lösningsmedelsbaserad färg:

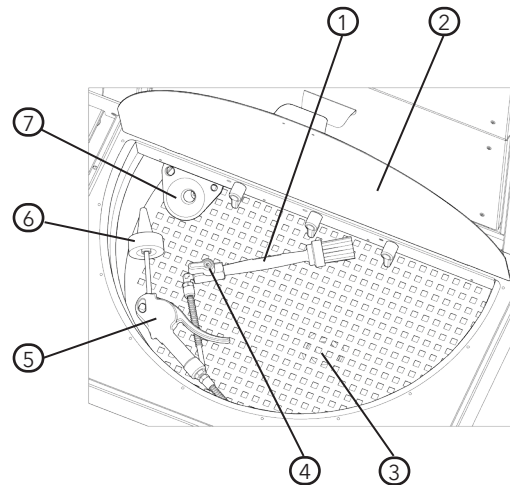
1. Töm eventuella färgrester i sprutpistolen i ett separat spillfat.
2. Säkerställ att huvudventilen för tryckluft är öppen.



3. Öppna luckan.
4. När pedalen  trycks ned, matas recirkulerande lösningsmedel genom borsten (1) i den manuella vasken.
5. Rengör sprutpistolen med borsten.
6. Anslut sprutpistolen till **luftslangen** på enhetens högra sida och blås ur sprutpistolen genom tratten i automattvätten. Denna tratt begränsar spridningen av ångor.
7. Blås sprutpistolen torr med **luftpistolen**.
8. Stäng båda luckorna efter rengöringen.

Borsten i den manuella vasken kan användas oberoende av automattvätten.

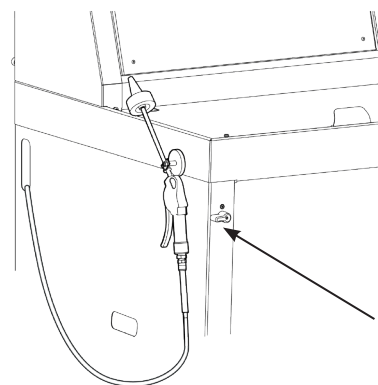
19. MANUELLTVÄTT FÖR VATTENBASERAD FÄRG




Pos.	Del
1	Borste
2	Lucka (tillbehör)
3	Arbetsbord
4	Kulventil (ÖPPET läge)
5	Skölpistol
6	Koniskt munstycke
7	Tratt

För att använda den manuella vasken för vattenbaserad färg:

1. Töm eventuella färgrester i sprutpistolen i ett separat spillfat.
2. Säkerställ att huvudventilen för tryckluft är öppen.



3. Öppna luckan (2). Det går att ta bort luckan.
4. När pedalen  trycks ned, matas vatten genom borsten (1) i den manuella vasken

Obs! Kulventilen (4) på borsten måste vara **öppen**.

5. Rengör sprutpistolen med borsten.
6. Skölj sprutpistolens färgkanal med rent vatten genom att trycka det koniska munstycket (6) på sköljpistolens (5) mot sprutpistolens färgkanal.
7. Skölj sprutpistolens utsida med **sköljpistol**.
Obs! När sköljpistolens används ska kulventilen på borsten vara **stängd**.
8. Anslut sprutpistolen till **luftslangen** på enhetens högra sida och blås ur sprutpistolen genom tratten i den manuella vasken (7). Denna tratt begränsar spridningen av ångor.
9. Blås sprutpistolen torr med **luftpistol**.
10. Stäng luckan efter rengöringen.

Borsten och sköljpistolens i den manuella vasken kan användas oberoende av automattvätten, så länge automattvättens lucka är stängd.

20. KOAGULERINGSPROCESS




Koaguleringsprocessen gör det möjligt att återanvända tvättvatten.



Obs! Kontrollera med lämplig myndighet om filterat vatten från koaguleringsprocessen får tömmas i det vanliga avloppssystemet. Information från färgleverantören kan behövas.

Det finns tre ventiler i den manuella vasken för vattenbaserad färg, på den bakre väggen.

Obs! När de är **lodräta** är dessa ventiler **stängda**.

Ventilerna är märkta enligt följande:

Symbol	Funktion
  Tillval	Omrörare/mixer Rör om vattnet som är förorenat av färg för att blanda det med koaguleringspulvret. Mixern är tillval.
	Pump Startar pumpen som matar slangen eller dräneringsavloppet.





Symbol	Funktion
  Tillval	Dräneringsventil Öppnar en ventil för att det filterade vattnet ska kunna pumpas till ett avlopp. Obs! Ventilen på borsten måste vara stängd .

Tömma filtratkärlet

När vattennivån når arbetsbordet är det dags att utföra koaguleringsprocessen.






1. Lyft frontpanelen och fäst den säkert på fästena.
2. Töm ut återstående innehåll från filtratkärlet.

1. Tillbehör: För maskiner utrustade med Watre Valve Kit

2. Vrid dräneringsventilen  till öppet läge.
3. Vrid kulventilen på borsten i den manuella vasken till **stängt** läge (pos. 4 i **Manuell tvätt för vattenbaserad färg**).
4. Starta dräneringen genom att öppna ventilen för pumpen . Pumpen dränerar filtratkärlet helt genom dräneringsslangen och ut i det vanliga avloppssystemet.
5. När pumpen börjar gå fortare är filtratkärlet tomt. Stäng ventilen för pumpen och för dräneringen ( och ).

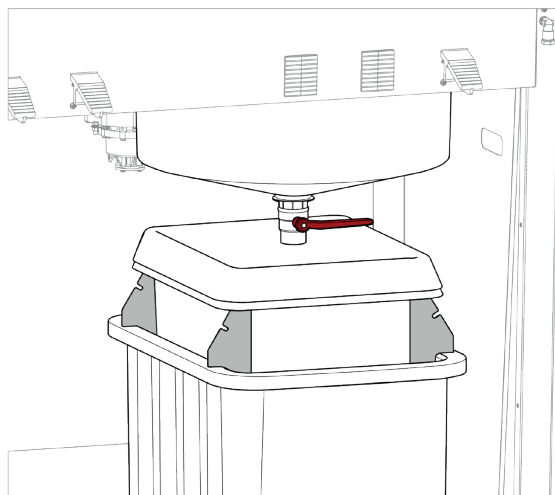
Koagulering

Obs! Koaguleringsprocessen måste bilda stora flock av koagulerad färg. Om inte, kommer filtren sättas igen och kan inte återanvändas.

1. Ta bort arbetsbordet (pos. 3 i **Manuell tvätt för vattenbaserad färg**).
2. Öppna ventilen för vattenomröraren  (eller tillbehör mixern ).
3. Tillsätt det koaguleringspulver färgtillverkaren rekommenderar.
4. Rör pulvret en stund med en pinne för att förhindra att det sjunker till botten i klumpar.
5. Låt omröraren  gå i några minuter.
6. Stoppa omröraren emellanåt i cirka 30 sekunder för att förbättra processen. Total koaguleringsstid är 3-4 minuter.
7. Stäng ventilen för omröraren  (eller mixern ).

Filtrering

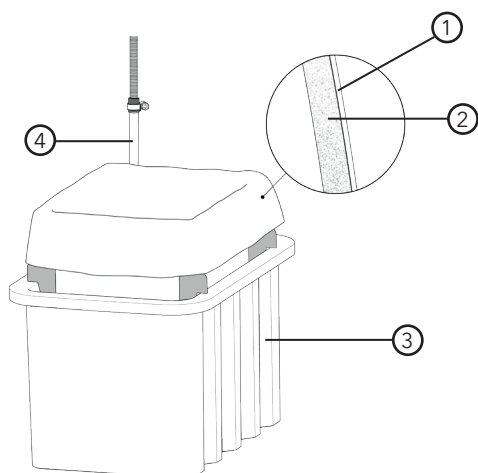
1. Öppna avloppsventilen i botten av den manuella vasken och töm vasken helt i filtret.



2. Rengör insidan av den manuella vasken noggrant med borsten (med recirkulerande vatten). Alla koaguleringsrester ska tömmas helt i filtret.
3. Stäng avloppsventilen.

21. BYTA FILTER

Obs! Använd endast original huvudfilter och förfilter från DRESTER, eftersom dessa är godkända av färgtillverkare.



Pos.	Del
1	Förfilter
2	Huvudfilter

Pos.	Del
3	Filtratkärl
4	Sil på sugrör

Förfiltret (1) samlar upp det mesta av koaguleringsresterna medan huvudfiltret (2) samlar finare färgpartiklar.

Ta bort resterna från förfiltret. När resterna är helt torra är de enkla att ta bort. Om resterna tas bort efter varje koaguleringsprocess kan förfiltret användas upp till 10 gånger.

Huvudfiltret kommer gradvis att täppas igen när de finare partiklarna fångats upp. I allmänhet kan huvudfiltret användas upp till 5 koaguleringsprocesser. Huvudfiltret måste dock bytas efter 1-2 månader för att förhindra bakterietillväxt.

Obs! Koagulerade färgrester måste hanteras enligt föreskrifter från lämplig myndighet. Information från färgleverantören kan behövas.

22. FÖRBRUKNINGSPARTIKLAR

Enheter lämpade för vattenbaserad färg, dvs DRESTER ACE DG2A/DI2A, DG2C/DI2C, DG3C/DI3C, and DG4C/DI4C, levereras med huvudfilter, förfilter och DRESTER AQUASOLVE vattenbaserat lösningsmedel. Alla förbrukningsartiklar kan beställas från ditt lokala ombud eller från Hedson Technologies.

23. UNDERHÅLL

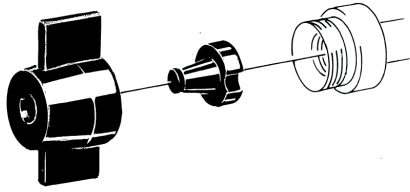
Varje vecka

- Ta bort silarna i botten av automattvättarna och rengör dem.
- Obs!** Kom ihåg att sätta tillbaka dem!

Varje månad

- Ta bort alla fem munstyckena i automattvättarna

och rengör dem med rent lösningsmedel.



- Byt vattnet helt.
- Byt huvudfiltret.

Vid byte av dunkar

- Kontrollera och rengör, vid behov, silarna på sugslangarna.

Vid byte av filter

- Kontrollera och rengör, vid behov, silen på sugröret (pos. 4 i **Byta filter**).
- Ta bort filtratkärlet (3) och töm det helt. Skölj det med vatten och torka av det med en trasa eller papper.

24. ÅTERVINNING

Återvinning ska alltid utföras enligt lokala lagar och föreskrifter.

DRESTER ACE-enheter är byggda för att återvinnas helt. Enheterna består av delar tillverkade i plåt, mässing och plast.

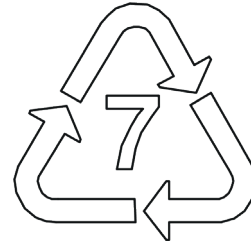
Plåt och mässing

Alla delar av plåt och mässing kan skrotas för vidare återvinning.

Plast

Alla plastdelar är märkta med en

plastklassningskod i form av en triangel och en kod. Alla plastdelar ska återvinnas enligt sin märkning.



Drester ACE

25. INSTALLATIONS PROTOKOLL

Kontrollera ...	Datum	Signatur
Drester ACE-modell: <input type="checkbox"/> DG2A/DI2A <input type="checkbox"/> DG2S/DI2S <input type="checkbox"/> DG4S/DI4S <input type="checkbox"/> DG2C/DI2C <input type="checkbox"/> DG3C/DI3C <input type="checkbox"/> DG4C/DI4C		
Mått har vidtagits för att förhindra faror från oavsiktligt spill och läckage.		
Installationen är utförd i enlighet med tillämpliga föreskrifter och direktiv för klassade områden.		
Enheten är jordad i enlighet med tillämpliga föreskrifter och direktiv för klassade områden.		
Enheten är korrekt ventilerad och ventilationen är jordad i enlighet med tillämpliga föreskrifter och direktiv för klassade områden.		
Enheten har inga läckor i: <input type="checkbox"/> lufttillförsel <input type="checkbox"/> luftslangar <input type="checkbox"/> slangar för vätska		
Enhetens alla funktioner: <input type="checkbox"/> pedal(er) <input type="checkbox"/> borste(ar) <input type="checkbox"/> luftpistol <input type="checkbox"/> sprutmunstycke <input type="checkbox"/> timerknapp		
Denna bruksanvisning är tillgänglig vid enheten.		
Tryckluft		
Tryckluften är torr och fri från olja i enlighet med ISO 8573-1, klass 3.4.3 eller bättre.		
Tryckluftsledningar och -kopplingar är korrekt dimensionerade.		
För enheter lämpade för rengöring av vattenbaserad färg		
Inställning för kranvatten A/B: A. Kranvatten är anslutet till enheten, eller B. Enheten är inställd för användning med recirkulerande filtratvatten, enligt beskrivning i denna bruksanvisning.		
En dräneringsslang är dragen från enheten till ett avlopp. J/N		

Drester ACE

Kontrollera ...	Datum	Signatur
Alla filter för koaguleringsprocessen är monterade enligt beskrivning i denna bruksanvisning.		

26. FELSÖKNING

Om problem återstår efter felsökningen, kontakta servicetekniker.

För mer information om DRESTER ACE-enheter, se följande dokument:

- reservdelslista (för alla modeller)
- pneumatiskt schema (för varje modell)
- vätskeschema (för varje modell)

Problem	Orsak	Att göra
Begränsat eller inget flöde under förtvättcykel.	Silen på sugslangen är blockerad.	Rengör eller byt.
	Sugslangen suger inte upp lösningsmedel.	Kontrollera om sugslangen läcker. Kontrollera om lösningsmedelsdunken är tom.
	Sprutmunstycken i automattvätt är blockerade.	Ta bort och rengör munstycken.
	Backventiler i pumpen är blockerade eller tätar inte.	Ta bort pumpanslutningar, rengör ventiler och ta bort blockering.
Pumpen stannar inte efter 1.5 minuter.	Timern är blockerad.	För byte, kontakta servicetekniker.
	Startventilen läcker konstant.	För byte, kontakta servicetekniker.
Förtvättspumpen fungerar inte.	Kontrollera lufttryck och matningsslang.	Säkerställ att luftmatningen till enheten är i enlighet med tekniska data.
	Kontrollera startventilens funktion.	För byte, kontakta servicetekniker.
	Luckarmen når inte säkerhetsventilen.	Justera luckarmens läge.
	Säkerhetsventilen fungerar inte.	För byte, kontakta servicetekniker.

Drester ACE

Problem	Orsak	Att göra
Ventilationen startar inte när luckan öppnas.	Säkerhetsventilen fungerar inte.	För byte, kontakta service-tekniker.
	Luckarmen når inte säkerhetsventilen.	Justera luckarmens läge.
Manuellt sprutmunstycke i automattvätten fungerar inte när pedalen trycks ned.	Sprutventilen fungerar inte.	Kontrollera att pedalen och ventilen fungerar. För byte, kontakta service-tekniker.
Manuellt sprutmunstycke sprutar inte lösningsmedel.	6 mm sugslang suger inte upp lösningsmedel.	Kontrollera att sugslangen når ned i lösningsmedelsdunken.
	Munstycket blockerat av skräp.	Ta bort 6 mm sugslangen från dunken och använd luftpistolen för att backspola munstycket.
Utsuget fungerar inte korrekt.	Luftslangen, luftmatningen eller lufttrycket är begränsat.	Säkerställ att luftmatningen till enheten är i enlighet med tekniska data.
	Ventilationsmunstycket är blockerat, t.ex. av färgansamling.	För byte, kontakta service-tekniker.

1. GELTUNGSBEREICH DIESES DOKUMENTS

Dieses Dokument gilt für folgende Drester Spritzpistolenreiniger:

- DRESTER ACE Double Aqua (DG2A/DI2A)
- DRESTER ACE Double Solvent (DG2S/DI2S)
- DRESTER ACE Quattro Solvent (DG4S/DI4S)
- DRESTER ACE Double Combo (DG2C/DI2C)
- DRESTER ACE Triple Combo (DG3C/DI3C)
- DRESTER ACE Quattro Combo (DG4C/DI4C)

Double/Triple/Quattro = 2/3/4 Waschbereiche im Gerät.
Modellbezeichnung mit A am Ende = Das Gerät ist für wasserbasierte Lacke (Aqua) vorgesehen.

Modellbezeichnung mit S am Ende = Das Gerät ist für Lacke auf Lösemittelbasis (Solvent) vorgesehen.

Modellbezeichnung mit C am Ende = Das Gerät ist sowohl für wasserbasierte Lacke als auch für Lacke auf Lösemittelbasis (Combo) vorgesehen.

Sofern nichts anderes angegeben ist, gelten alle Anweisungen für alle Modelle.

2. SICHERHEITSINFORMATIONEN

Die unsachgemäße Verwendung von DRESTER Spritzpistolenreinigern kann Gefahren verursachen. Gefahren können auch bei ungeeigneter Wahl oder unsachgemäßer Handhabung von Fässern oder Lösemittel entstehen.

Um den hohen Sicherheitsstandard des Geräts aufrechtzuerhalten, müssen die folgenden Anweisungen genau befolgt werden.

- Lesen Sie alle Informationen in dieser Anleitung durch und vergewissern Sie sich, dass diese vollständig verstanden haben.
- Bewahren Sie diese Anleitung in unmittelbarer Nähe des Geräts auf. Achten Sie darauf, dass sie sich in einem lesbaren Zustand befindet.
- Sorgen Sie dafür, dass jeder Benutzer weiß, wo die Anleitung zu finden ist.
- Jede Bedienungsanweisung sollte auf dieser Anleitung basieren und in der vom Benutzer gesprochenen Sprache verfasst sein.
- Installieren Sie das Gerät wie in dieser Anleitung beschrieben.
- Verwenden Sie das Gerät wie in dieser Anleitung beschrieben.

- Warten Sie das Gerät wie in dieser Anleitung beschrieben.
- Verwenden Sie nur Original-Ersatzteile.
- Nehmen Sie keinerlei Veränderungen an der Maschine vor.
- Betreiben Sie das Gerät nur, wenn eine angemessene Lüftung und eine ausreichende Absaugung der Dämpfe sichergestellt sind.
- Vermeiden Sie den Kontakt mit Flüssigkeit und Dampf. Beachten Sie das SDB (Sicherheitsdatenblatt) der Lösemittel.
- Tragen Sie die richtige Schutzausrüstung:
 - » Chemische Schutzbrille, um Ihre Augen zu schützen.
 - » Chemikalienbeständige Handschuhe, um Hautkontakt zu vermeiden.
 - » Chemikalienbeständige Kleidung, um sich vor Flecken oder Spritzern zu schützen.



Schutzbrille tragen



Schutzhandschuhe tragen



Atemschutzmaske tragen

- Personen mit Atemwegsproblemen oder Lösemittel-Allergien dürfen das Gerät nicht bedienen.
- Beseitigen Sie Verschüttetes sofort.
- Ergreifen Sie geeignete Maßnahmen, um ein versehentliches Auslaufen und Verschütten aus Fässern zu vermeiden.
- Rauchen, essen oder trinken Sie nicht in der Nähe des Geräts.



Feuer, offene Flammen und Rauchen sind strengstens verboten

- Ein Sicherheitsventil unterbricht den automatischen Waschzyklus, wenn der Deckel vor dem Ende des Waschzyklus geöffnet wird. Bei einer Fehlfunktion oder einer vermuteten Fehlfunktion des Sicherheitsventils darf das Gerät so lange **nicht** verwendet werden, bis das Sicherheitsventil repariert wurde.
- Spritzpistolen oder jede andere Lackierausrüstung, welche im Gerät gereinigt werden, müssen für die Reinigung in Zone 1 zugelassen sein (vgl. RICHTLINIE 1999/92/EG), wenn das Gerät mit brennbaren Lösemitteln verwendet wird.

Drester ACE

- Das Gerät muss gemäß den geltenden örtlichen Vorschriften ordnungsgemäß geerdet sein.
- Sorgen Sie dafür, dass geeignete Maßnahmen gemäß den örtlichen Vorschriften getroffen werden, um versehentliche elektrostatische Entladungen zu verhindern.

3. VERWENDUNGSZWECK

Dieses Gerät ist zur Reinigung von druckluftbetriebenen Spritzpistolen mit Fließbecher bestimmt, die zum Lackieren benutzt wurden. Spritzpistolen können mit Lösemittel (ausgenommen DG2A/DI2A) oder Wasser gereinigt werden.

Je nach Modell sind DRESTER ACE-Geräte mit einer oder zwei automatischen Waschkammern für Lackierpistolen mit Fließbecher und einem oder zwei manuellen Waschbecken ausgerüstet.

Automatische Waschkammern

Automatische Waschkammern werden entweder mit Lösemitteln auf Verdünnerbasis, mit Lösemitteln auf Wasserbasis oder mit Wasser verwendet (je nach Modell).

Manuelle Waschbecken

Manuelle Waschbecken werden zum Reinigen von Werkzeugen verwendet, die zur Fahrzeuglackierung genutzt werden, wie z. B. Spritzpistolen mit Sauganschluss, Spateln und Pinseln.

Verwenden Sie entweder Lösemittel auf Verdünnerbasis, Lösemittel auf Wasserbasis oder Wasser (je nach Modell).

Jede andere Verwendung des Geräts ist strengstens untersagt.

4. TECHNISCHE DATEN

Hersteller	HEDSON TECHNOLOGIES AB Hammarvägen 4 SE-232 37 Arlöv, Schweden
Tel.	+46 40 53 42 00
Gerätetyp	DRESTER ACE

Gewicht, kg (lb)	
DG2A/DI2A	80 (176)
DG2S/DI2S	80 (176)
DG4S/DI4S	100 (220)
DG2C/DI2C	80 (176)
DG3C/DI3C	90 (140)
DG4C/DI4C	100 (220)
Breite, mm (Zoll)	
DG2A/DI2A	840 (33,07)
DG2S/DI2S	840 (33,07)
DG4S/DI4S	1190 (46,85)
DG2C/DI2C	840 (33,07)
DG3C/DI3C	1190 (46,85)
DG4C/DI4C	1190 (46,85)
Alle Modelle	
Höhe, mm (Zoll)	1488 (58,58)
Max. Tiefe, mm (Zoll)	675 (26,57)
Tiefe am Boden, mm (Zoll)	621 (24,45)
Extraktor-Durchmesser, mm (Zoll)	100 (3,94)
Benötigte Druckluft, bar (psi)	7-12 (110-180)
Erforderliche Absaugleistung m ³ /h (cfm)	360 (212)
Schalldruckpegel, dB(A)	<70 dB(A)
Max. Volumen lösemittel-/ wasserbasiert, Liter	30+30
Max. Fassgröße, Liter	60
Pumpenleistung, Liter/Minute	10
Lösemitteldruck, bar (psi)	2 (30)

5. AUFSTELLUNG DES GERÄTS

DRESTER ACE-Geräte entsprechen der Gerätekategorie 2 (vgl. ATEX-Richtlinie 2014/34/EU) und darf demnach an Orten aufgestellt werden, die als Zone 1 (vgl. ATEX-Richtlinie 1999/92/EG) klassifiziert sind.

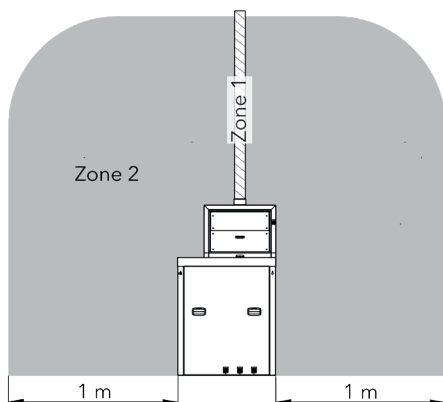
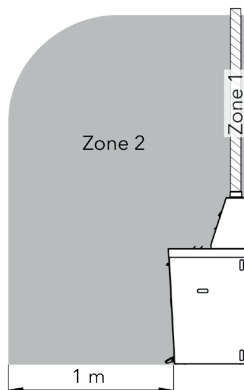
Drester Ace-Geräte sind wie folgt gekennzeichnet:

CE Ex E II 2 G

Ex h IIB T6 Ga Tamb 0 bis +45 °C

Wenn ein DRESTER ACE-Gerät an als Zone 2 klassifiziert Orten oder an nicht klassifizierten Orten aufgestellt wird, gilt Folgendes, sofern die Lüftung des Geräts wie in diesem Handbuch beschrieben installiert wird:

- Der Bereich bis zu 1 m Abstand zum DRESTER ACE-Gerät ist als Zone 2 zu klassifizieren, das Innere der Rohrleitung als Zone 1.
- Der Umfang des klassifizierten Bereichs kann mittels Belüftung reduziert werden.



- In den klassifizierten Bereichen müssen alle Geräte wie z. B. elektrische Betriebsmittel für die entsprechenden Zonen zugelassen sein.



Warnung!

- Geräte, die offene Flammen oder Funken erzeugen (wie z. B. Schweiß- oder Schleifgeräte) dürfen in diesem Bereich **nicht** verwendet werden.



Warnung!

- Rauchen ist **nicht** erlaubt.

Erkundigen Sie sich im Zweifelsfall bei den örtlichen Behörden.

Hinweis!

Diese Bedienungsanleitung ist Bestandteil des Geräts und muss jederzeit verfügbar sein.

6. ZULÄSSIGE LÖSEMittel



Warnung!

- **Niemals** ein Lösemittel ohne SDB (Sicherheitsdatenblatt; auch MSDS) verwenden. Lesen Sie das SDB sorgfältig durch und befolgen Sie alle Anweisungen und Verfahren. Wenn Sie mehr Informationen zum Lösemittel benötigen, wenden Sie sich bitte an den Lieferanten des Lösemittels.
- **Niemals** andere Chemikalien zum Lösemittel hinzugeben.

Allgemeines

Hinweis! Erkundigen Sie sich nach den örtlichen Vorschriften zur maximal erlaubten Lösemittelmenge, die das Gerät enthalten darf.

Alle Lösemittel müssen einen pH-Wert zwischen 4 und 10 haben. Vermischen Sie **keine** Lösemittel auf Wasserbasis mit Lösemitteln auf Verdünnungsbasis.

Hinweis! Alle Benutzer müssen jederzeit darüber informiert sein, welches Lösemittel verwendet wird.

Zugelassene Lösemittel der Gruppe IIA

Es können beliebige zur Spritzpistolenreinigung vorgesehene Lösemittel und Lösemittelmischungen verwendet werden, die gemäß EN 60079-20-1 der **Gruppe IIA** angehören, wie z. B. Aceton, Toluol, Isobutanol oder Xylol.

Für Lacke auf Lösemittelbasis kann in der automatischen Waschkammer und im manuellen Waschbecken auch Wasser oder Lösemittel auf Wasserbasis verwendet werden.

Zugelassene Lösemittel der Gruppe IIB

Neben Lösemitteln der Gruppe IIA sind auch Lösemittel der **Gruppe IIB** für den Einsatz in DRESTER ACE-Spritzpistolenreinigern zugelassen, sofern folgende Bedingungen erfüllt sind:

- Ein MESG-Wert (Maximum Experimental Safe Gap) von mehr als 0,8 mm und/oder
- Ein MIC-Verhältnis (Minimum Igniting Current) von mehr als 0,7.
- Das Lösemittelvolumen beträgt **nicht mehr als** 70 % des im Spritzpistolenreiniger verwendeten Lösemittelgemisches.

Bei Fragen wenden Sie sich bitte an Hedson Technologies.

Manuelles Waschbecken für wasserbasierten Lack

Im manuellen Waschbecken für wasserbasierten Lack darf nur Wasser verwendet werden.

7. ZULÄSSIGE LÖSEMITTELFÄSSER

Unabhängig vom Typ müssen alle in DRESTER ACE-Geräten verwendeten Fässer folgende Bedingungen erfüllen:

- Sie müssen in das Gerät passen.
- Sie müssen dicht sein.
- Sie müssen aus einem leitfähigen Material bestehen.

Hinweis! Erkundigen Sie sich nach den örtlichen Vorschriften zur maximal erlaubten Lösemittelmenge im Gerät.

Hinweis! Von Hedson Technologies werden keine Lösemittelfässer angeboten. Hedson Technologies übernimmt keine Haftung für die verwendeten Fässer. Befolgen Sie sorgfältig die Anweisungen des Lösemittel-Lieferanten.

8. AUFFANGWANNE

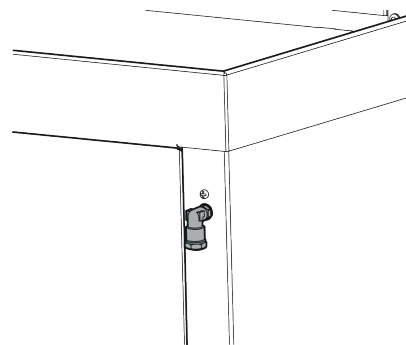
Installieren Sie das Gerät so, dass versehentlich ausgetretenes Lösemittel oder kontaminiertes Wasser nicht in ein Abwassersystem gelangt. Gehen Sie hierzu wie folgt vor:

- Stellen Sie das Gerät an einem Ort auf, an dem Fußboden und Wände versehentlich aus dem Fass ausgetretenes Lösemittel aufhalten können, oder
- Statten Sie das Gerät mit einer Auffangwanne unter dem Lösemittelfass und dem Wasserbehälter aus. Die Auffangwanne sollte groß genug sein, um das Volumen von mindestens eines undichten Fasses aufnehmen zu können.

9. MONTAGE

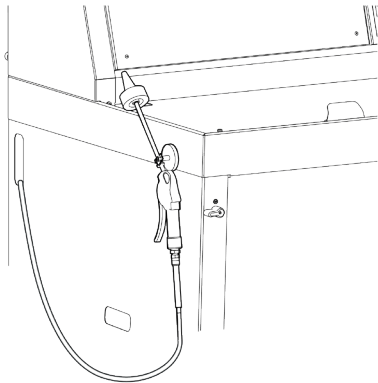
So montieren Sie das Gerät:

1. Überprüfen Sie die Verpackung auf Transportschäden.
2. Entfernen Sie die Verpackung und überprüfen Sie, ob das Gerät beim Transport beschädigt wurde. Wenn ja, melden Sie dies sofort dem Transportunternehmen.
3. Bringen Sie eine Schnellkupplung an der **Luftleitung** auf der rechten Seite des Geräts an.



Diese Luftleitung dient zum Ausblasen der Spritzpistole nach dem Reinigungsvorgang.

4. Die **Druckluftpistole** des Geräts befindet sich während des Transports im Inneren des Geräts. Nehmen Sie sie heraus und befestigen Sie sie mit dem Magneten an einer geeigneten Stelle.



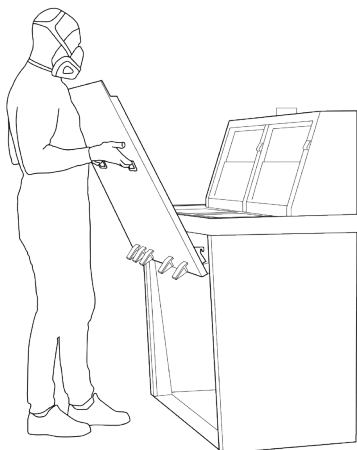
Diese Druckluftpistole dient zum Trocknen der Spritzpistole nach dem Reinigungsvorgang.

10. INSTALLATION UND ANSCHLUSS

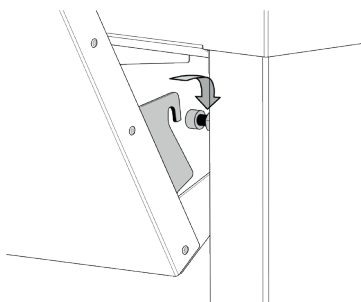
Anheben und Absenken der Frontplatte

So heben Sie die Frontplatte an:

1. Heben Sie die Frontplatte nach außen und oben an.



2. Heben Sie sie gleichmäßig an und befestigen Sie sie an den Halterungen.



Heben Sie die Frontplatte zum Absenken zuerst leicht an, um sie von den Haken zu lösen, kippen Sie sie dann nach außen und senken Sie sie ab.

Ausbau der Frontplatte

So bauen Sie die Frontplatte aus:

1. Heben Sie die Platte nach außen.
2. Kippen Sie die Platte auf eine Seite.

Dadurch werden die Rollen aus der rechten/linken Rollenbahn gelöst.

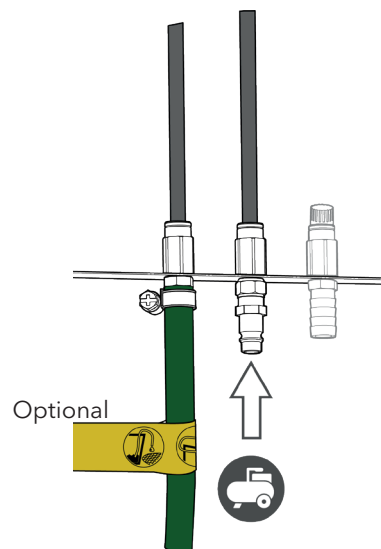
Druckluft

Um Druckverluste zu vermeiden, müssen die Luftleitung und Kupplungen ausreichend dimensioniert sein. Der Druckregler am Gerät ist auf 6,5 bar (100 psi) voreingestellt. Diese Einstellung **darf nicht** geändert werden.

Das Gerät muss an Druckluft mit 7–12 bar (110–180 psi) angeschlossen werden. Während des Betriebs hat das Gerät einen Luftverbrauch von 150 Litern/Minute (6 cfm). Wenn die eingebaute Belüftung läuft, verbraucht das Gerät jedoch 450 Liter/Minute (16 cfm).

Die Druckluft muss nach ISO 8573-1 Klasse 3.4.3 oder besser sauber und trocken sein. Etwaige Verunreinigungen in der Druckluft führen zum Erlöschen jeglicher Garantieansprüche.

Schließen Sie die Druckluftversorgung an den 1/4"-Anschluss an. Die Luftleitung kann durch die Schlitzle an der Seite des Geräts oder durch die Rückseite des Geräts zu diesem Punkt verlegt werden.



Hinweis!

Achten Sie darauf, dass die pneumatischen Komponenten des Geräts nicht durch den Druckluftversorgungsschlauch gestört werden.

Erdung des Geräts



Warnung!

- Das Gerät muss ordnungsgemäß geerdet sein, um elektrostatische Entladungen zu vermeiden.

Erden Sie das Gerät ordnungsgemäß mit dem gelb-grünen Erdungskabel. Schließen Sie das Erdungskabel gemäß den örtlichen Vorschriften an einen geeigneten Erdstromkreis an.



Belüftung und Capture@Source

DRESTER ACE-Geräte nutzen die Hochgeschwindigkeitsabsaugung Capture@Source von Hedson, um schädliche Emissionen in der Nähe ihrer Quelle abzufangen und so die Exposition des Benutzers und den Lösemittelverlust zu minimieren. Dank der dezenten Abzugsöffnungen von Capture@Source von Hedson bleibt der Arbeitsbereich offen und leicht zugänglich.

Es gibt zwei Möglichkeiten, das Gerät zu belüften. Bei beiden Optionen muss die Luftstromgeschwindigkeit an der Öffnung der Haube den örtlichen Gesetzen und Vorschriften entsprechen.



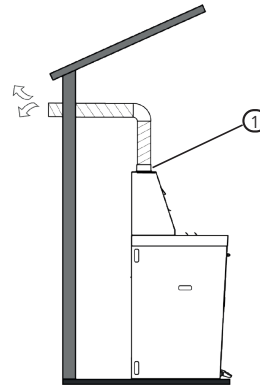
Warnung!

- Die Belüftung muss so angeschlossen werden, dass **alle** Teile geerdet sind.

Option 1: Schließen Sie bei Verwendung der eingebauten Lüftungsdüse den Flansch der Haube (1) an eine für Zone 1 zugelassene Lüftungsanlage an.

Option 2: Schließen Sie die Haube mit einer Metallrohrleitung an einem ATEX-zugelassenen elektrischen Ventilator an. Die Auslassöffnung des Ventilators muss ins Freie führen. Bei Verwendung einer zentralen Lüftungsanlage kann die eingebaute

pneumatische Absaugung abgeschaltet werden, um den Druckluftverbrauch zu reduzieren. (Siehe separate Anleitung in der Zubehörtasche mit rotem 6-mm-Stopfen)



11. INBETRIEBNAHME



Schutzbrille tragen



Schutzhandschuhe tragen



Atemschutzmaske tragen

Heben Sie bei allen Vorbereitungen die Frontplatte an und befestigen Sie diese an ihren Halterungen, siehe **Installation und Anschluss/Anheben und Absenken der Frontplatte**.

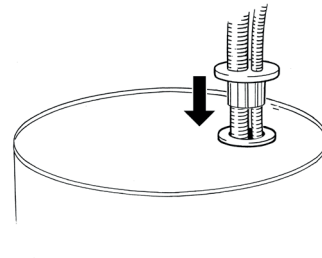
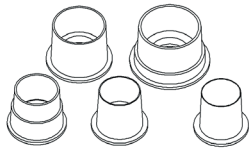
Lösemittel

Es werden zwei Lösemittelfässer benötigt: ein leeres und ein volles. Diese:

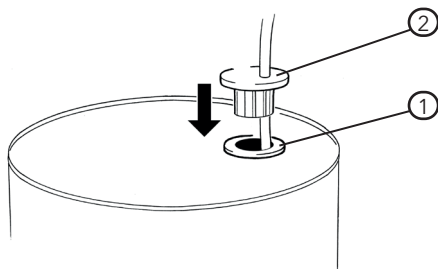
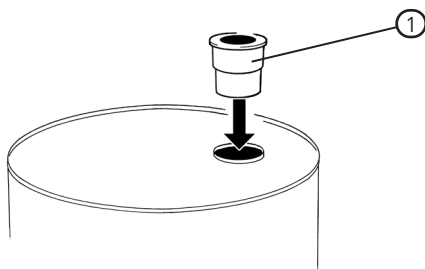
- müssen gleich groß sein.
- müssen die unter **Zulässige Lösemittelfässer** beschriebenen Anforderungen erfüllen.
- müssen innen sauber sein.
- **dürfen keine** Feststoffe oder andere Objekte enthalten, die während des Betriebs in die Pumpen gesaugt werden könnten.

Fassadapter

Im Lieferumfang des Geräts ist eine Schachtel mit einer Auswahl an konischen Adaptern enthalten.



Wählen Sie einen Adapter, der gut in die Öffnung der Fässer (1) passt, und bringen Sie den Stopfen für die Fassöffnung mit Schläuchen (2) an.



2. Gießen Sie die Hälfte des Inhalts des vollen Fasses direkt in das manuelle Waschbecken des Spritzpistolenreinigers. Dieses Lösemittel läuft in das Fass unter dem Waschbecken ab.
Hinweis! Während dieses Vorgangs muss die Lüftung laufen.
3. Stellen Sie das nun halbvolle Fass rechts neben dem ersten Fass auf den Boden des Geräts. Führen Sie die zweite Gruppe von Schläuchen (die einen **weißen** Schlauch enthält) in dieses Fass ein.

Das Lösemittelsystem ist nun aufgefüllt. Beide Fässer sollten zur Hälfte gefüllt sein. Das linke Fass enthält das Lösemittel, das für den automatischen Vorwaschzyklus umgewälzt wird. Das rechte Fass enthält sauberes Lösemittel zum Spülen. Der Inhalt des rechten Fasses wird nach und nach verbraucht und in das linke Fass geleitet.

Aktuelles Lösemittel

Hinweis! Alle Benutzer müssen jederzeit darüber informiert sein, welches Lösemittel verwendet wird.

Auffüllen des Lösemittels

Verwenden Sie ein leeres Fass und ein Fass der selben Größe gefüllt mit sauberem Lösemittel.

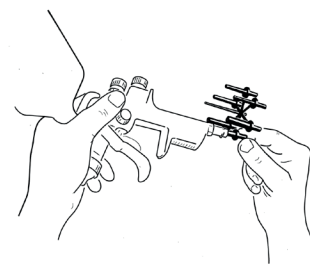
Hinweis! Stellen Sie sicher, dass alle Schläuche bis ganz nach unten in das Fass geführt werden und dass die Öffnung gut mit dem konischen Stopfen verschlossen ist.

1. Stellen Sie das leere Fass links in das Gerät. Führen Sie die Gruppe von Schläuchen mit dem Ablaufschlauch vom manuellen Waschbecken in dieses Fass ein.

Vorbereiten der Luftleitung in der automatischen Waschammer

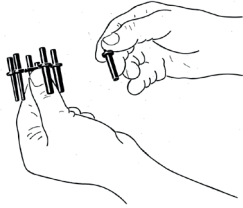
Dieses Gerät wird mit einem Satz konischer Stopfen für die Luftleitung geliefert.

1. Wählen Sie den Stopfen aus, der am besten in den Lufteinlass der Spritzpistole passt.

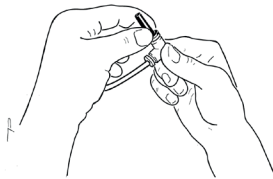


Drester ACE

2. Nehmen Sie den Stopfen heraus.

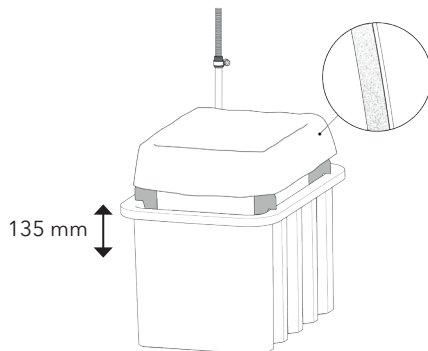


3. Bringen Sie ihn an der Luftleitung an.



Auffüllen von Wasser

Füllen Sie den Filtratbehälter bis 135 mm unter der Oberkante mit sauberem Wasser.



12. FARBCODIERUNG

In DRESTER ACE-Geräten werden schwarze bzw. weiße Schläuche für Lösemittel bzw. Wasser verwendet:

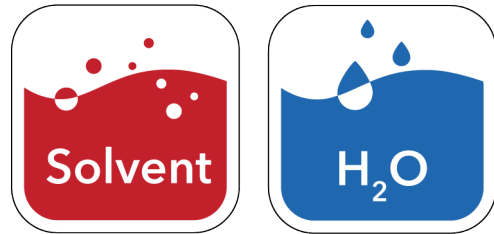
Schlauchfarbe	Lösemittel oder Wasser
Weiß	Sauber
Schwarz	Umwälzung

Kennzeichnung der Schläuche

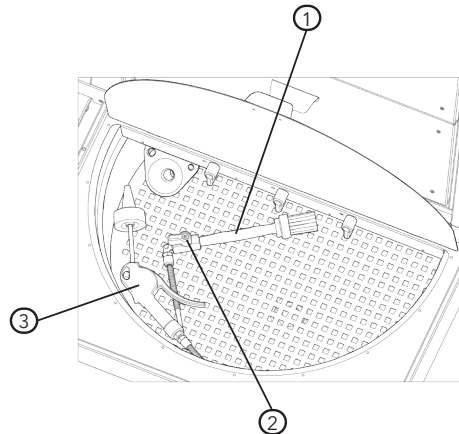
Die Schläuche sind **rot** für Lösemittel oder **blau** für Wasser oder AQUASOLVE gekennzeichnet.

Kennzeichnung der Waschbereiche

Waschbereiche sind mit einem **roten** Schild für Lösemittel oder einem **blauen** Schild für Wasser oder AQUASOLVE gekennzeichnet.



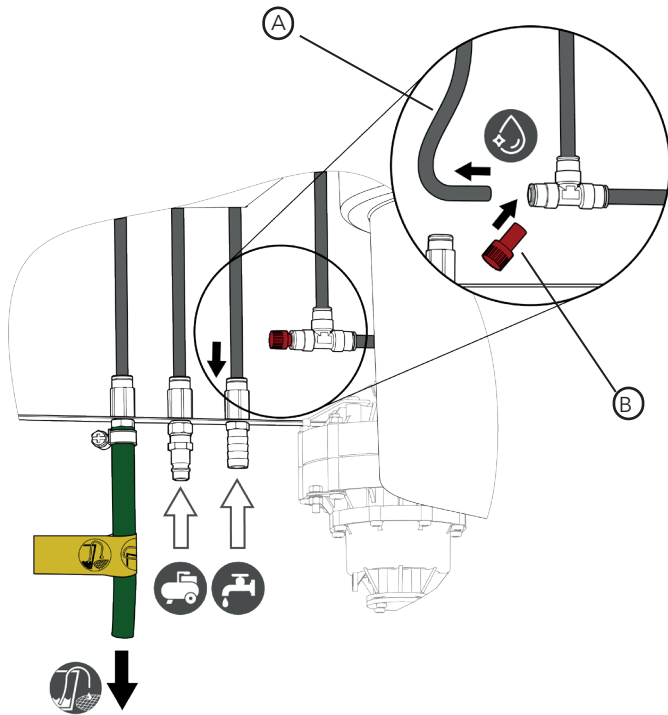
13. EINRICHTUNG MIT LEITUNGSWASSERANSCHLUSS



Pos.	Teil
1	Bürste
2	Kugelhahn (GEÖFFNETE Position)
3	Spülpistole

Für wasserbasierte Lacke geeignete Geräte können mit Leitungswasser verwendet werden, wenn dieses vor Ort verfügbar ist. In diesem Fall wird das Leitungswasser für die Spülpistole (3) verwendet

14. BETRIEB MIT LEITUNGSWASSERANSCHLUSS



Pos.	Teil
A	Schlauch für Spülpistole
B	Roter Stopfen

Symbol	Funktion
	Abfluss (optional)
	Luftleitung
	Leitungswasserzulauf
	Umgewälztes Wasser

Gehen Sie wie folgt vor, um das Gerät mit einem Leitungswasseranschluss zu betreiben:

1. Trennen Sie den blauen 6-mm-Schlauch für die Spülpistole (A) vom T-Stück und bringen Sie ihn am Leitungswasser-Zulaufanschluss an.

2. Setzen Sie den roten Stopfen (B) in das T-Stück ein, um die Öffnung zu verschließen.

Die Spülpistole im manuellen Waschbecken wird jetzt mit Leitungswasser betrieben.

15. VORBEREITUNGEN FÜR DEN BETRIEB

Tragen Sie bei der Bedienung des Geräts immer eine geeignete Schutzausrüstung. Tragen Sie Augenschutz, Schutzhandschuhe und eine Schutzmaske.



Schutzbrille tragen

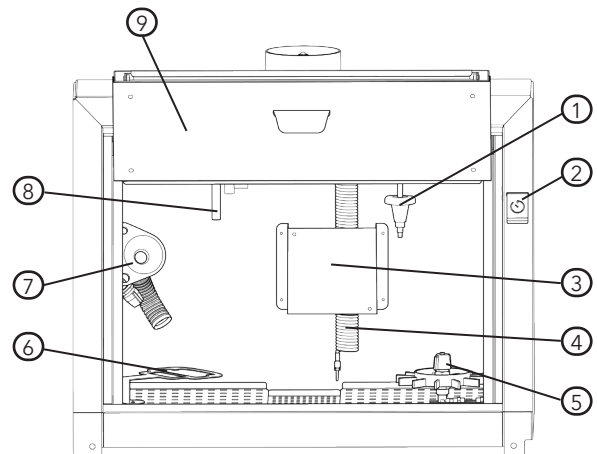


Schutzhandschuhe tragen



Atemschutzmaske tragen

16. AUTOMATISCHE WÄSCHE

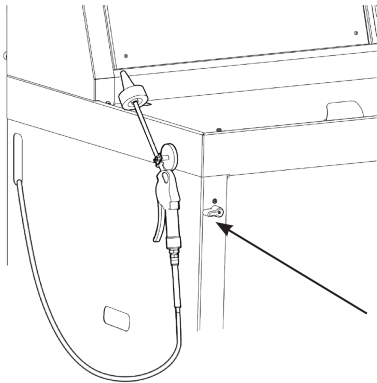


Pos.	Teil
1	Düse für Farbkanal
2	Timer-Taste (Vorwäsche starten)
3	Platte für Bügelklemme
4	Luftleitung
5	Halter für Farbbecher
6	Deckelhalter
7	Trichter

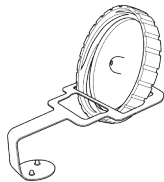
Pos.	Teil
8	Lösemittel-Sprühdüse (nur für Lösemittel)
9	Deckel

So verwenden Sie die automatische Waschkammer:

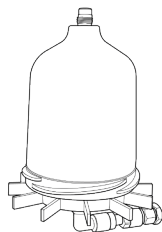
1. Entleeren Sie etwaige Lackreste aus der Spritzpistole in einen eigenen Sammelbehälter.
2. Stellen Sie sicher, dass das Hauptventil für Druckluft geöffnet ist.




3. Öffnen Sie den Deckel (9) der automatischen Waschkammer.
4. Setzen Sie den Deckel des Farbbeckers in den Deckelhalter (6) ein.



5. Stellen Sie den Farbbecher auf den Farbbecherhalter (5).




6. Montieren Sie die Bügelklemme gemäß den Abbildungen unter **Montage der Bügelklemme**.
7. Schließen Sie die Spritzpistole an die Luftleitung in der automatischen Waschkammer (4) an.

8. Schieben Sie die Spritzpistole gegen die Düse für den Farbkanal (1).
9. Fixieren Sie die Spritzpistole mit den Magneten der Bügelklemme an ihrer Platte (3).
10. Schließen Sie den Deckel.
11. Starten Sie den automatischen Vorwaschzyklus durch Drücken der  Timer-Taste (2).

Die Spritzpistole wird ca. 1,5 Minuten lang automatisch gereinigt.

12. Wenn der Reinigungsvorgang abgeschlossen ist, öffnen Sie den Deckel und nehmen die Spritzpistole heraus.

Bei Geräten, die für lösemittelhaltige Lacke geeignet sind, kann die Spritzpistole nach Abschluss des automatischen Vorwaschzyklus mit sauberem Lösemittel aus der Lösemittelsprühdüse (8) gespült werden.

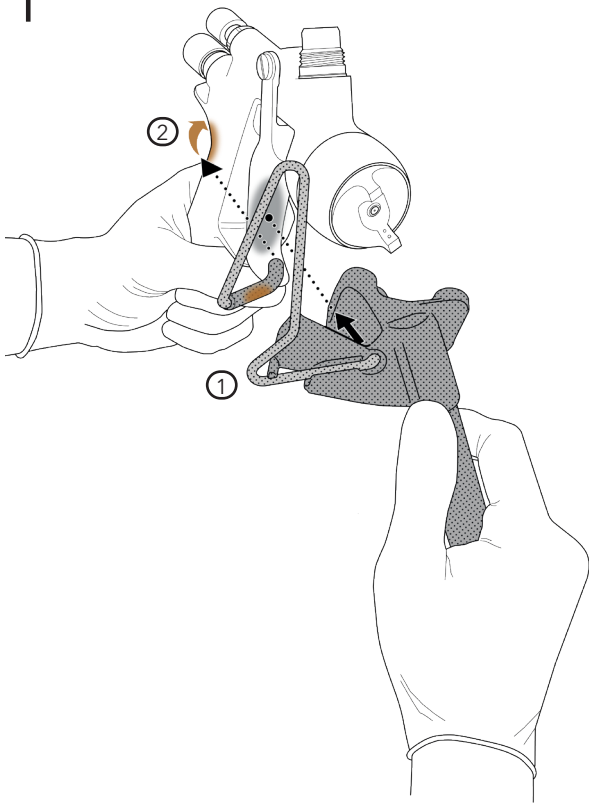
13. Für Lacke auf Lösemittelbasis: Betätigen Sie das  Pedal, um die Spülpumpe zu aktivieren. Die Pumpe läuft, solange das Pedal betätigt wird. 2-3 Pumpenhübe reichen für eine Spülung aus.

Bei Bedarf kann die gereinigte Spritzpistole manuell gespült werden, siehe **Manuelle Wäsche für Lacke auf Lösemittelbasis** oder **Manuelle Wäsche für Lacke auf Wasserbasis**.

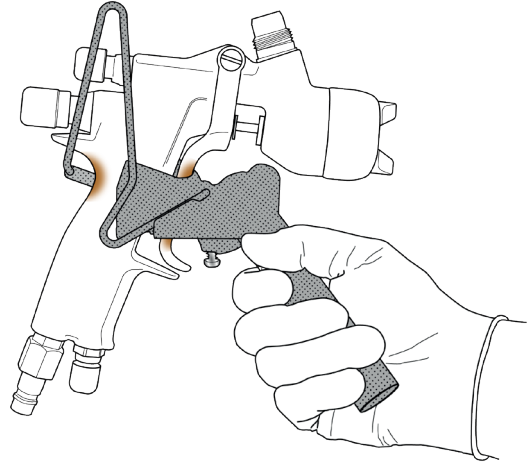
14. Schließen Sie die Spritzpistole an die **Luftleitung** an der rechten Seite des Geräts an und blasen Sie die Spritzpistole durch den Trichter (7) aus. Dieser Trichter begrenzt die Ausbreitung von Dämpfen.
15. Blasen Sie die Spritzpistole mit der **Druckluftpistole** trocken.
16. Schließen Sie nach der Reinigung den Deckel.

17. MONTAGE DER BÜGELKLEMME

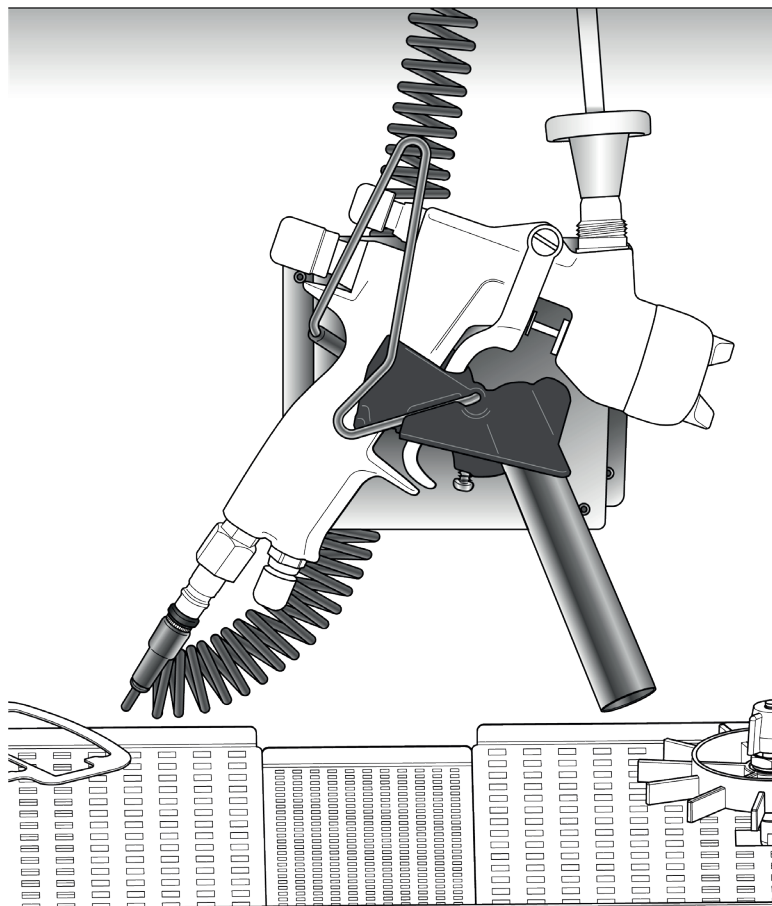
1



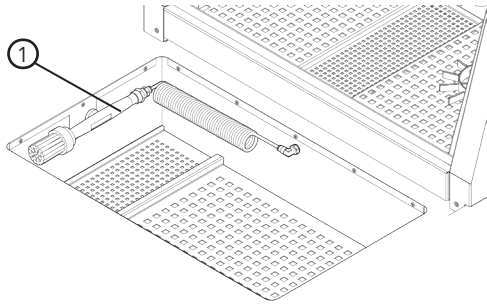
2



3

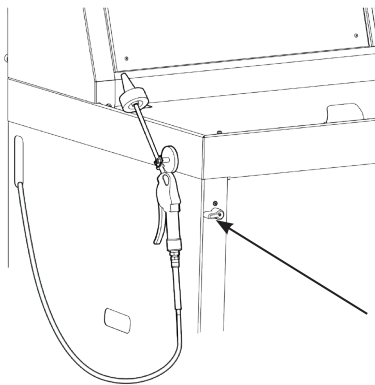



18. MANUELLE WÄSCHE FÜR LACKE AUF LÖSEMITTELBASIS



So verwenden Sie das manuelle Waschbecken für Lacke auf Lösemittelbasis:

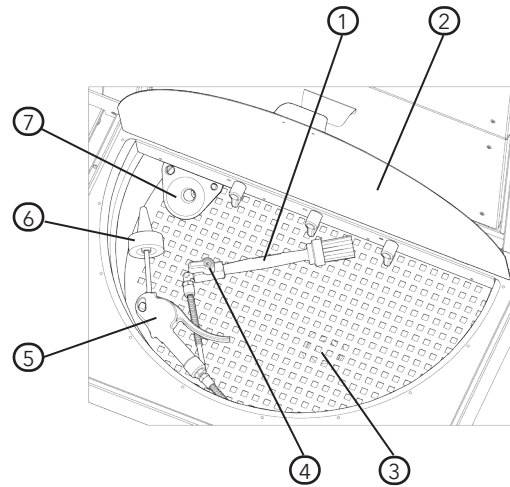
1. Entleeren Sie etwaige Lackreste aus der Spritzpistole in einen eigenen Sammelbehälter.
2. Stellen Sie sicher, dass das Hauptventil für Druckluft geöffnet ist.



3. Öffnen Sie den Deckel.
4. Durch Betätigen des  Pedals wird das umgewälzte Lösemittel durch die Bürste (1) in das manuelle Waschbecken gegeben.
5. Reinigen Sie die Spritzpistole mit der Bürste.
6. Schließen Sie die Spritzpistole an die **Luftleitung** an der rechten Seite des Geräts an und blasen Sie die Spritzpistole durch den Trichter in die automatische Waschkammer aus. Dieser Trichter begrenzt die Ausbreitung von Dämpfen.
7. Blasen Sie die Spritzpistole mit der **Druckluftpistole** trocken.
8. Schließen Sie nach der Reinigung beide Deckel.

Die Bürste im manuellen Waschbecken kann unabhängig von der automatischen Waschkammer benutzt werden.

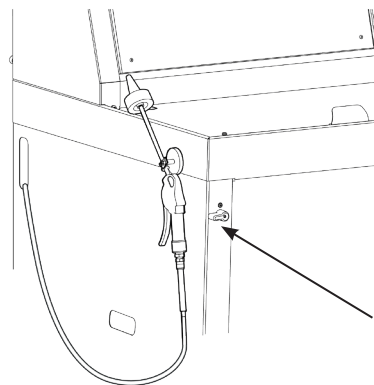
19. MANUELLE WÄSCHE FÜR LACKE AUF WASSERBASIS




Pos.	Teil
1	Bürste
2	Deckel (optional)
3	Arbeitstisch
4	Kugelhahn (GEÖFFNETE Position)
5	Spülpistole
6	Konische Düse
7	Trichter

So verwenden Sie das manuelle Waschbecken für Lacke auf Wasserbasis:

1. Entleeren Sie etwaige Lackreste aus der Spritzpistole in einen eigenen Sammelbehälter.
2. Stellen Sie sicher, dass das Hauptventil für Druckluft geöffnet ist.



3. Öffnen Sie den Deckel (2, optional).
4. Durch Betätigen des  Pedals wird Wasser durch die Bürste (1) in das manuelle Waschbecken gegeben.

Hinweis! Der Kugelhahn (4) an der Bürste muss **geöffnet** sein.

5. Reinigen Sie die Spritzpistole mit der Bürste.
6. Spülen Sie den Farbkanal der Spritzpistole mit klarem Wasser aus, indem Sie die konische Düse (6) der Spülpistole (5) gegen den Farbkanal der Spritzpistole drücken.
7. Spülen Sie die Außenseite der Spritzpistole mit der **Spülpistole** ab.
Hinweis! Beim Verwenden der Spülpistole sollte der Kugelhahn an der Bürste **geschlossen** sein.
8. Schließen Sie die Spritzpistole an die **Luftleitung** an der rechten Seite des Geräts an und blasen Sie die Spritzpistole durch den Trichter in das manuelle Waschbecken (7) aus. Dieser Trichter begrenzt die Ausbreitung von Dämpfen.
9. Blasen Sie die Spritzpistole mit der **Druckluftpistole** trocken.
10. Schließen Sie nach der Reinigung den Deckel.

Die Bürste und Spülpistole im manuellen Waschbecken können unabhängig von der automatischen Washkammer benutzt werden.

20. KOAGULATIONSPROZESS




Durch den Koagulationsprozess wird die Wiederverwendung von Reinigungswasser ermöglicht.


Hinweis! Erkundigen Sie sich bei der zuständigen Behörde, ob gefiltertes Wasser aus dem Koagulationsprozess in das normale Abwassersystem geleitet werden darf. Möglicherweise werden Informationen des Lackherstellers benötigt.

Im manuellen Waschbecken befinden sich an der Rückwand drei Ventile für Lack auf Wasserbasis.

Hinweis! In der **senkrechten** Stellung sind diese Ventile **geschlossen**.

Die Ventile sind wie folgt gekennzeichnet:

Symbol	Funktion
  Optional	Rührwerk/Mischer Rührt das mit Lack verunreinigte Wasser um, um es mit dem Koagulationspulver zu vermischen. Der Mischer ist optional.
 Optional	Pumpe Startet die Pumpe für die optionale Abflussöffnung.





Symbol	Funktion
 Optional	Abflussventil Öffnet ein Ventil, um das gefilterte Wasser zu einem Abfluss zu pumpen. Hinweis! Das Ventil an der Bürste muss geschlossen sein.

Entleeren des Filterbehälters

Wenn der Wasserstand die Arbeitsplattform erreicht, ist es Zeit, den Koagulationsprozess auszuführen.




1. Heben Sie die Frontplatte an und befestigen Sie diese an ihren Halterungen.
2. Überprüfen Sie, ob der Filterbehälter leer ist. Wenn nicht, entleeren Sie den Filtratbehälter von Hand.



1. Optional: Geräte mit Wasserventilkit

2. Drehen Sie das Abflussventil  in die geöffnete Position.
3. Drehen Sie den Kugelhahn an der Bürste im manuellen Waschbecken in eine **geschlossene** Position (Nr. 4 unter **Manuelle Wäsche für Lacke auf Wasserbasis**).
4. Beginnen Sie mit dem Entleeren, indem Sie das Ventil für die Pumpe  öffnen. Die Pumpe entleert den Filtratbehälter vollständig durch den Abflussschlauch, der in das normale Abwassersystem führt.
5. Wenn die Pumpe beginnt, schneller zu laufen, ist der Filtratbehälter leer. Schließen Sie das Ventil für die Pumpe sowie für den Abfluss ( und ).

Koagulation

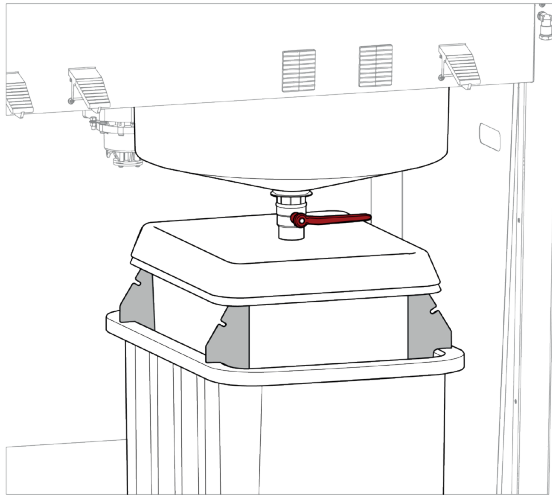
Hinweis! Durch den Koagulationsprozess müssen große Flocken von koaguliertem Lack gebildet werden. Andernfalls verstopfen die Filter und können nicht wiederverwendet werden.

1. Entfernen Sie die Arbeitsplattform (Nr. 3 unter **Manuelle Wäsche für Lacke auf Wasserbasis**).
2. Öffnen Sie das Ventil für das Wasserrührwerk  (oder den optionalen Mischer ).
3. Geben Sie das Koagulationspulver entsprechend der Empfehlung des Lackherstellers hinzu.
4. Rühren Sie das Pulver eine Weile mit einem Stab um, um zu verhindern, dass Klumpen auf den Boden absinken.
5. Lassen Sie das Rührwerk  ein paar Minuten laufen.
6. Halten Sie das Rührwerk gelegentlich für ca. 30 Sekunden an, um den Prozess zu verbessern. Die Koagulationsdauer beträgt insgesamt 3-4 Minuten.

7. Schließen Sie das Ventil für das Rührwerk  (oder den Mischer ).

Filterung

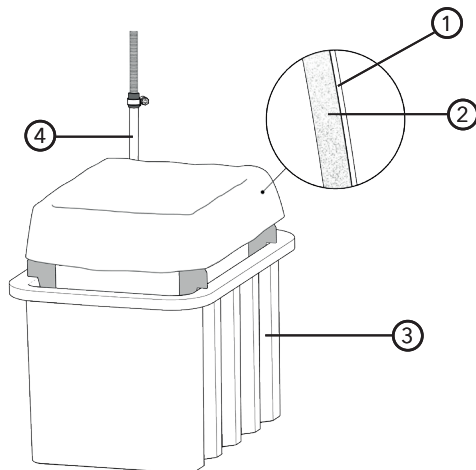
1. Öffnen Sie das Abflussventil am Boden des manuellen Waschbeckens und lassen Sie den gesamten Inhalt aus dem Waschbecken in den Filter ablaufen.



2. Reinigen Sie das Innere des manuellen Waschbeckens gründlich mit der Bürste (mit recyceltem Wasser). Alle Flockenreste sollten vollständig in den Filter abgeleitet werden.
3. Schließen Sie das Abflussventil.

21. FILTERWECHSEL

Hinweis! Verwenden Sie nur Original-Hauptfilter und -Vorfilter von DRESTER, da diese von Lackherstellern zugelassen sind.



Pos.	Teil
1	Vorfilter
2	Hauptfilter
3	Filtratbehälter
4	Sieb am Saugrohr

Der Vorfilter (1) fängt den größten Teil des koagulierten Schlamms auf, während der Hauptfilter (2) feinere Lackpartikel auffängt.

Entfernen Sie die Lackreste aus dem Vorfilter. Sobald die Lackreste vollständig getrocknet sind, lassen sie sich leicht entfernen. Werden die Lackreste nach jedem Koagulationsvorgang entfernt, kann der Vorfilter bis zu 10 Mal wiederverwendet werden.

Der Hauptfilter wird nach und nach verstopfen, nachdem die feineren Farbpartikel aufgefangen wurden. Im Allgemeinen kann der Hauptfilter bis zu 5-mal für den Koagulationsprozess verwendet werden. Der Hauptfilter muss jedoch alle 1-2 Monate gewechselt werden, um ein Bakterienwachstum zu verhindern.

Hinweis! Ausgeflockte Lackreste müssen gemäß den Vorschriften der zuständigen Behörde entsorgt werden. Möglicherweise werden Informationen des Lackherstellers benötigt.

22. VERBRAUCHSMATERIALIEN

Für wasserbasierte Lacke geeignete Geräte, d. h. DRESTER ACE DG2A/DI2A, DG2C/DI2C, DG3C/DI3C und DG4C/DI4C, können mit Hauptfilter, Vorfilter, wasserbasiertem Lösemittel DRESTER AQUASOLVE und DRESTER FLOCKUNGSPULVER geliefert werden. Alle Verbrauchsmaterialien können bei Ihrem örtlichen Vertreter oder bei Hedson Technologies bestellt werden.

23. WARTUNG

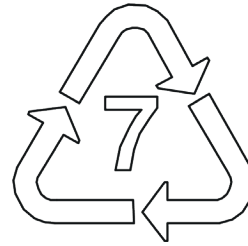
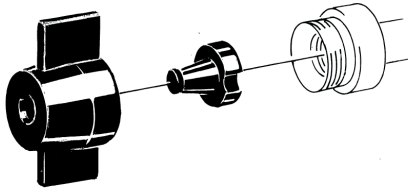
Jede Woche

- Bauen Sie die Siebe an der Unterseite der automatischen Waschkammern aus und reinigen Sie diese.

Hinweis! Vergessen Sie nicht, sie wieder anzubringen!

Jeden Monat

- Demontieren Sie alle fünf Düsen in jeder Waschkammer und reinigen Sie sie mit sauberem Lösemittel.



- Wechseln Sie das Wasser vollständig aus.
- Wechseln Sie den Hauptfilter.

Beim Wechsel der Fässer

- Prüfen Sie die Siebe an den Saugschläuchen und reinigen Sie diese bei Bedarf.

Beim Wechsel der Filter

- Überprüfen Sie das Sieb am Saugrohr und reinigen Sie es bei Bedarf (Nr. 4 unter **Filterwechsel**).
- Entnehmen Sie den Filtratbehälter (3) und entleeren Sie ihn vollständig. Spülen Sie ihn mit Wasser aus und wischen Sie ihn mit einem Tuch oder Papier ab.

24. ENTSORGUNG

Das Recycling sollte immer in Übereinstimmung mit den örtlichen Gesetzen und Vorschriften erfolgen.

DRESTER ACE-Geräte sind vollständig recycelbar. Die Geräte bestehen aus Teilen aus Blech, Messing und Kunststoff.

Blech und Messing

Alle Blech- und Messingteile können für ein späteres Recycling verschrottet werden.

Kunststoff

Alle Kunststoffteile wurden mit einem Recycling-Code in Form eines Dreiecks und eines Kurzzeichens gekennzeichnet. Alle Kunststoffteile sollten entsprechend ihrer Kennzeichnung recycelt werden.

Drester ACE

25. INSTALLATIONSprotokoll

Prüfung	Datum	Unterschrift
Drester ACE-Modell: <input type="checkbox"/> DG2A/DI2A <input type="checkbox"/> DG2S/DI2S <input type="checkbox"/> DG4S/DI4S <input type="checkbox"/> DG2C/DI2C <input type="checkbox"/> DG3C/DI3C <input type="checkbox"/> DG4C/DI4C		
Es wurden Maßnahmen ergriffen, um Gefahren durch versehentliches Verschütten oder Auslaufen zu vermeiden.		
Die Installation wurde gemäß den geltenden Vorschriften und Richtlinien für explosionsgefährdete Bereiche durchgeführt.		
Das Gerät ist gemäß den geltenden Vorschriften und Richtlinien für explosionsgefährdete Bereiche geerdet.		
Das Gerät wird ordnungsgemäß belüftet und diese Lüftung ist gemäß den geltenden Vorschriften und Richtlinien für explosionsgefährdete Bereiche geerdet.		
Das Gerät weist an folgenden Komponenten keine Undichtigkeiten auf: <input type="checkbox"/> Druckluftversorgung <input type="checkbox"/> Luftleitungen <input type="checkbox"/> Flüssigkeitsschläuche		
Alle Funktionen des Geräts: <input type="checkbox"/> Pedal(e) <input type="checkbox"/> Bürste(n) <input type="checkbox"/> Druckluftpistole <input type="checkbox"/> Sprühdüse <input type="checkbox"/> Timer-Taste		
Diese Anleitung ist am Gerät verfügbar.		
Druckluft		
Druckluft ist gemäß ISO 8573-1 Klasse 3.4.3 oder besser trocken und ölfrei.		
Druckluftleitungen und Kupplungen sind ausreichend bemessen.		
Für Geräte, die zum Auswaschen von wasserbasierten Lacken geeignet sind		
Einrichtung des Leitungswasseranschlusses: A/B A. An das Gerät ist Leitungswasser angeschlossen oder B. Das Gerät ist wie in dieser Anleitung beschrieben für die Verwendung mit umgewälztem Filtratwasser eingerichtet.		
Ein Abflussschlauch ist vom Gerät zu einem Abfluss verlegt. J/N		
Alle Filter für den Koagulationsprozess sind wie in dieser Anleitung beschrieben montiert.		

26. FEHLERBEHEBUNG

Falls nach der Fehlerbehebung weiterhin Probleme auftreten, wenden Sie sich an einen Servicetechniker.

Weitere Informationen zu DRESTER ACE-Geräten finden Sie in folgenden Dokumenten:

- Ersatzteilliste (für alle Modelle)
- Pneumatikkreislauf (für das jeweilige Modell)
- Flüssigkeitskreislauf (für das jeweilige Modell)

Problem	Ursache	Maßnahme
Begrenzter oder kein Durchfluss während des Vorwaschzyklus.	Sieb am Saugschlauch verstopft.	Reinigen oder austauschen.
	Saugschlauch nimmt kein Lösemittel auf.	Saugschlauch auf Undichtigkeiten prüfen. Prüfen, ob das Lösemittelfass leer ist.
	Sprühdüsen in automatischer Waschammer verstopft.	Düsen ausbauen und reinigen.
	Rückschlagventile in der Pumpe blockiert oder nicht dicht.	Pumpenanschlüsse entfernen, Ventile reinigen und Blockade entfernen.
Die Pumpe hält nach 1,5 Minuten nicht an.	Timer-Luftleckageeinheit blockiert.	Wenden Sie sich für einen Austausch an einen Servicetechniker.
	Das Startventil leckt ständig.	Wenden Sie sich für einen Austausch an einen Servicetechniker.
Die Vorwaschpumpe läuft nicht.	Luftdruck und Zulaufschlauch prüfen.	Sicherstellen, dass die Druckluftversorgung des Geräts den technischen Daten entspricht.
	Funktion des Startventils prüfen.	Wenden Sie sich für einen Austausch an einen Servicetechniker.
	Der Deckelarm erreicht das Sicherheitsventil nicht.	Position des Deckelarms anpassen.
	Das Sicherheitsventil funktioniert nicht.	Wenden Sie sich für einen Austausch an einen Servicetechniker.
Die Belüftung startet nicht, wenn der Deckel geöffnet wird.	Das Sicherheitsventil funktioniert nicht.	Wenden Sie sich für einen Austausch an einen Servicetechniker.
	Der Deckelarm erreicht das Sicherheitsventil nicht.	Position des Deckelarms anpassen.

Drester ACE

Problem	Ursache	Maßnahme
Die manuelle Sprühdüse in der automatischen Waschkammer funktioniert nicht, wenn das Pedal betätigt wird.	Das Sprühventil funktioniert nicht.	Pedal- und Ventilfunktion prüfen. Wenden Sie sich für einen Austausch an einen Servicetechniker.
Die manuelle Sprühdüse sprüht kein Lösemittel ein.	6-mm-Saugschlauch nimmt kein Lösemittel auf.	Prüfen, ob der Saugschlauch bis zum Boden des Lösemittelfasses reicht.
	Düse durch Schmutz verstopft.	6-mm-Saugschlauch vom Fass abbauen und Düse mit der Druckluftpistole rückspülen.
Die Absaugung funktioniert nicht richtig.	Luftleitung, Luftzufuhr oder Luftdruck eingeschränkt.	Sicherstellen, dass die Druckluftversorgung des Geräts den technischen Daten entspricht.
	Belüftungsdüse verstopft, z. B. durch Lackablagerungen.	Wenden Sie sich für einen Austausch an einen Servicetechniker.

1. AMBITO DI APPLICAZIONE DEL PRESENTE DOCUMENTO

Questo documento è valido per i seguenti detergenti per pistole a spruzzo DRESTER:

- DRESTER ACE Double Aqua (DG2A/DI2A)
- DRESTER ACE Double Solvent (DG2S/DI2S)
- DRESTER ACE Quattro Solvent (DG4S/DI4S)
- DRESTER ACE Double Combo (DG2C/DI2C)
- DRESTER ACE Triple Combo (DG3C/DI3C)
- DRESTER ACE Quattro Combo (DG4C/DI4C)

Double/Triple/Quattro = 2/3/4 aree di lavaggio nell'unità.

Designazione del modello che termina con A = l'unità è destinata alle vernici a base acquosa (Aqua).

Designazione del modello che termina con una S = l'unità è destinata alle vernici a base di solvente (Solvent).

Designazione del modello che termina con C = l'unità è destinata sia alle vernici a base acquosa che a base di solvente (Combo).

Tutte le istruzioni sono valide per tutti i modelli, se non diversamente specificato.

2. INFORMAZIONI DI SICUREZZA

L'uso improprio dei detergenti per pistole a spruzzo DRESTER può causare pericoli.

Anche la scelta o la manipolazione impropria dei fusti o del solvente può causare rischi.

Per mantenere l'elevato standard di sicurezza dell'unità, attenersi scrupolosamente alle istruzioni riportate di seguito.

- Leggere e assicurarsi di aver compreso interamente tutte le informazioni contenute nel presente manuale.
- Tenere il manuale in prossimità dell'unità. Assicurarsi che sia in condizioni leggibili.
- Assicurarsi che ogni utilizzatore sappia dove si trova il manuale.
- Le istruzioni per l'uso devono essere basate sul presente manuale e redatte nella lingua parlata dall'utilizzatore.
- Installare l'unità come descritto nel presente manuale.
- Usare l'unità come descritto nel presente manuale.

- Eseguire la manutenzione dell'unità come descritto nel presente manuale.
- Utilizzare solo pezzi di ricambio originali.
- Non modificare l'unità in nessun modo.
- Non mettere in funzione l'unità se non è adeguatamente ventilata con un'aspirazione sufficiente dei vapori.
- Evitare di entrare in contatto con liquidi e vapori. Fare riferimento alla scheda MSDS (Material Safety Data Sheet, Scheda Informativa sulla Sicurezza dei Materiali) dei solventi.
- Indossare l'equipaggiamento protettivo adeguato:
 - » Indossare occhiali di protezione dalle sostanze chimiche per gli occhi.
 - » Indossare guanti di protezione resistenti alle sostanze chimiche per prevenire il contatto con la pelle.
 - » Indossare indumenti di protezione resistenti alle sostanze chimiche contro schizzi e spruzzi.



Utilizzare una protezione oculare



Utilizzare guanti protettivi



Utilizzare una maschera protettiva

- Le persone che soffrono di problemi respiratori o di allergie ai solventi utilizzati non devono utilizzare l'unità.
- Pulire immediatamente gli schizzi.
- Per evitare perdite accidentali e fuoriuscite dai fusti, assicurarsi di implementare le misure appropriate.
- È vietato fumare, bere o mangiare nelle vicinanze dell'unità.



Fuoco, fiamme libere e fumo sono severamente vietati

- Una valvola di sicurezza interrompe il ciclo di lavaggio automatico se il coperchio viene aperto prima del completamento del ciclo di lavaggio. In caso di malfunzionamento, o sospetto malfunzionamento, della valvola di sicurezza, l'unità **non deve** essere utilizzata fino a quando la valvola di sicurezza non è stata riparata.

Drester ACE

- Le pistole a spruzzo o qualsiasi altra apparecchiatura per la verniciatura pulita nell'unità devono essere adatte alla pulizia in un'area della Zona 1 (rif. DIRETTIVA 1999/92/CE), se l'unità è usata con solventi infiammabili.
- L'unità deve essere adeguatamente messa a terra conformemente alle normative locali applicabili.
- Per evitare scariche accidentali di elettricità statica, accertarsi che siano state adottate le misure adeguate, in base alle normative locali.

3. AMBITO DI APPLICAZIONE

Questa unità è destinata alla pulizia delle pistole a spruzzo ad aria compressa con tazze di vernice alimentate per gravità che sono state utilizzate per la verniciatura. Le pistole a spruzzo possono essere pulite con solvente (tutti eccetto DG2A/DI2A) o acqua.

A seconda del modello, le unità DRESTER ACE sono dotate di una o due lavatrici automatiche per pistole a spruzzo con tazze di vernice alimentate a gravità e di uno o due lavelli manuali.

Lavatrici automatiche

Le lavatrici automatiche vengono utilizzate con solventi a base di diluente, solventi a base d'acqua o acqua (a seconda del modello).

Lavelli manuali

I lavelli manuali sono usati per pulire gli strumenti impiegati nei lavori di verniciatura dei veicoli, come le pistole a spruzzo con ventose, i raschietti per stucco e i pennelli. Utilizzare solventi a base di diluenti, solventi a base acquosa o acqua (a seconda del modello).

Qualsiasi altro uso dell'unità è severamente vietato.

4. DATI TECNICI

Produttore	HEDSON TECHNOLOGIES AB Hammarvägen 4 SE-232 37 Arlöv, Svezia
Tel.:	+46 40 53 42 00
Tipo di unità	DRESTER ACE

Peso, kg (lb)	
DG2A/DI2A	80 (176)
DG2S/DI2S	80 (176)
DG4S/DI4S	100 (220)
DG2C/DI2C	80 (176)
DG3C/DI3C	90 (140)
DG4C/DI4C	100 (220)
Larghezza, mm (in)	
DG2A/DI2A	840 (33.07)
DG2S/DI2S	840 (33.07)
DG4S/DI4S	1190 (46.85)
DG2C/DI2C	840 (33.07)
DG3C/DI3C	1190 (46.85)
DG4C/DI4C	1190 (46.85)
Tutti i modelli	
Altezza, mm (in)	1488 (58.58)
Profondità max., mm (in)	675 (26.57)
Profondità a pavimento, mm (in)	621 (24.45)
Diametro d'estrazione, mm (in)	100 (3.94)
Aria compressa richiesta, bar (psi)	7-12 (110-180)
Fabbisogno di estrazione m ³ /h (cfm)	360 (212)
Livello di pressione sonora, dB(A)	<70 dB(A)
Volume massimo solvente/a base acquosa, litri	30+30
Max. dimensione del fusto, litri	60
Capacità della pompa, litri/minuto	10
Pressione del solvente, bar (psi)	2 (30)

5. POSIZIONAMENTO DELL'UNITÀ

Le unità DRESTER ACE sono apparecchiature di categoria 2 (rif. direttiva ATEX 2014/34/UE) e possono

pertanto essere collocate in una postazione di lavoro classificata come Zona 1 (rif. direttiva ATEX 1999/92 CE).

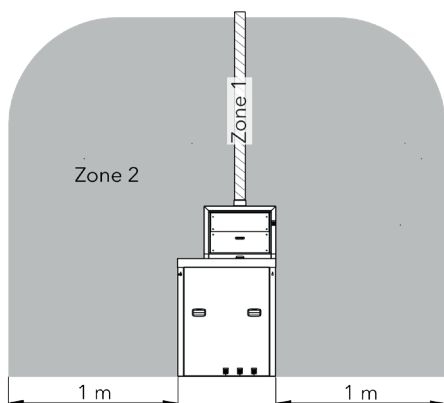
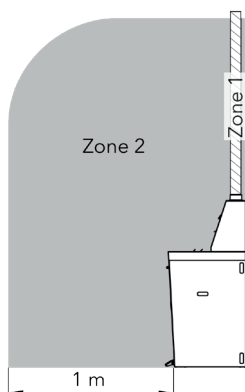
Le unità Drester Ace sono contrassegnate:

E II 2 G

Ex h IIB T6 Ga Tamb da 0 °C a +45 °C

Se un'unità DRESTER ACE è installata in luoghi classificati come Zona 2 o in luoghi non classificati, vale quanto segue, a condizione che la ventilazione dell'unità sia installata come descritto in questo manuale:

- lo spazio entro 1 m dall'unità DRESTER ACE deve essere classificato come Zona 2 e l'interno del condotto come Zona 1.
- L'estensione dell'area classificata può essere ridotta con la ventilazione.



- All'interno delle aree classificate, tutte le apparecchiature come gli articoli elettrici devono essere approvati per le zone descritte.



Avvertenza!

- **Non** è possibile utilizzare apparecchiature che generino fiamme vive o scintille (ad esempio attrezzature per la saldatura o smerigliatura) all'interno di quest'area.



Avvertenza!

- È **vietato** fumare.

In caso di dubbi, contattare le autorità locali.

Nota!

Il presente manuale costituisce parte integrante della macchina e deve essere conservato in modo da essere sempre disponibile.

6. SOLVENTI CONSENTITI



Avvertenza!

- **Non utilizzare mai** solventi che non siano accompagnati da una scheda MSDS (Material Safety Data Sheet, Scheda informativa sulla sicurezza dei materiali). Leggere attentamente la scheda MSDS e seguire le istruzioni e le procedure descritte.
Se si necessita di necessarie ulteriori informazioni riguardo al solvente, contattate il proprio fornitore di solventi.
- **Non aggiungere mai** altre sostanze chimiche al solvente.

Informazioni generali

Nota! Verificare le normative locali relative al volume massimo consentito di solventi conservati nell'unità.

Tutti i solventi devono avere un valore di pH compreso tra 4 e 10. **Non** mescolare solventi a base d'acqua con solventi a base di diluente.

Nota! Tutti gli utilizzatori devono essere informati in ogni momento su quale solvente è utilizzato.

Solventi approvati Gruppo IIA

Possono essere utilizzati tutti i solventi e le miscele di solventi destinati alla pulizia delle pistole a spruzzo classificati come **Gruppo IIA** secondo la norma EN 60079-20-1, come acetone, toluene, isobutanolo, xilene.

Nella lavatrice automatica e nel lavello manuale possono essere utilizzati anche acqua o solventi a base d'acqua per le vernici a base di solventi.

Solventi approvati Gruppo IIB

Oltre ai solventi classificati nel gruppo IIA, i solventi classificati come **Gruppo IIB** sono approvati per l'uso nei detergenti per pistole a spruzzo DRESTER ACE, purché siano soddisfatte le seguenti condizioni:

- Un valore MESG (Maximum Experimental Safe Gap) superiore a 0,8 mm, e/o
- Un rapporto MIC (Minimum Igniting Current) superiore a 0,7.
- Il volume del solvente **non** supera il 70% della miscela di solvente utilizzata nel detergente per pistola a spruzzo.

Per qualsiasi domanda, contattare Hedson Technologies.

Lavello manuale per vernici a base acquosa

Nel lavello manuale per vernici a base acquosa, è possibile utilizzare solo acqua.

7. FUSTI DI SOLVENTE CONSENTITI

Indipendentemente dal tipo, tutti i fusti utilizzati nelle unità DRESTER ACE devono:

- entrare nell'unità.
- essere privi di perdite.
- essere realizzati con materiale conduttivo.

Nota! Verificare le normative locali relative al volume massimo consentito di solvente all'interno dell'unità.

Nota! Hedson Technologies non fornisce fusti per solventi. Hedson Technologies non si assume alcuna responsabilità per i fusti utilizzati. Seguire attentamente le istruzioni del fornitore del solvente.

8. VASCHETTA DI RACCOLTA

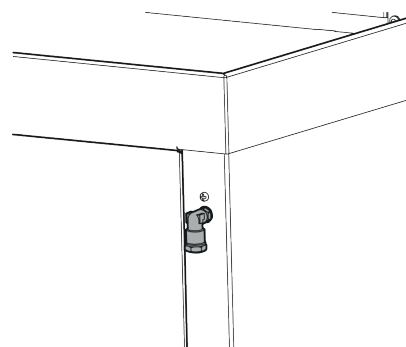
Installare l'unità in modo che eventuali perdite accidentali di solvente o di acqua contaminata non si diffondano nel sistema di scarico delle acque. A tale scopo:

- Installare l'unità in modo che il pavimento e le pareti possano contenere eventuali perdite accidentali del fusto, oppure
- Montare l'unità con un vassoio di raccolta posizionato sotto il fuso del solvente e il contenitore dell'acqua. Il vassoio di raccolta deve essere abbastanza capiente da contenere il volume di almeno un fusto che perde.

9. MONTAGGIO

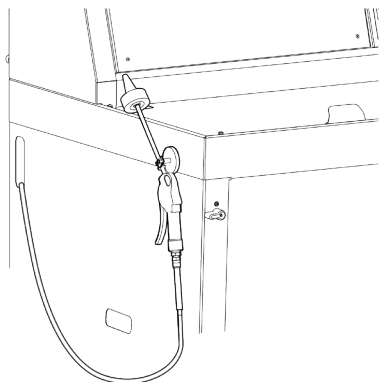
Per montare l'unità:

1. Controllare l'imballaggio per escludere la presenza di eventuali danni di trasporto.
2. Rimuovere l'imballaggio e verificare che l'unità non abbia subito danni durante il trasporto. In caso contrario, comunicarlo immediatamente alla società di trasporti.
3. Collegare un attacco rapido al **tubo dell'aria** sul lato destro dell'unità.



Questo tubo dell'aria viene utilizzato per sfiatare la pistola a spruzzo dopo la procedura di pulizia.

4. Durante il trasporto, la **pistola ad aria compressa** dell'unità viene posizionata all'interno dell'unità. Rimuoverla e fissarla con l'apposito magnete in un posto ben accessibile.



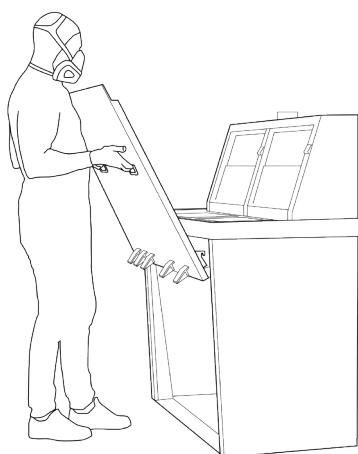
Questa pistola ad aria compressa viene utilizzata per asciugare la pistola a spruzzo dopo la procedura di pulizia.

10. INSTALLAZIONE E COLLEGAMENTO

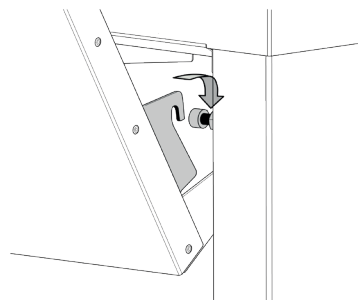
Sollevamento e abbassamento del pannello frontale

Per sollevare il pannello frontale:

1. Sollevare il pannello frontale verso l'esterno e verso l'alto.



2. Sollevarlo in modo uniforme e fissarlo alle apposite staffe.



Per abbassare il pannello frontale, sollevarlo leggermente per staccare i ganci, inclinarlo verso l'esterno e abbassarlo.

Rimozione del pannello frontale

Per rimuovere il pannello frontale:

1. Sollevare il pannello verso l'esterno.
2. Inclinare il pannello da un lato.

In questo modo si liberano i rulli dalle rulliere destra/sinistra.

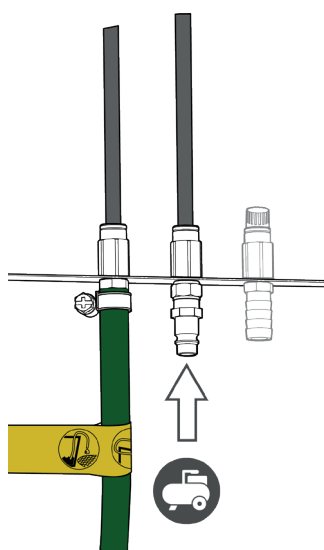
Aria compressa

Per evitare cali di pressione, il tubo dell'aria e gli accoppiamenti devono essere delle dimensioni adeguate. Il regolatore di questa unità è preimpostato su 6,5 bar (100 psi). Questa impostazione **non** deve essere modificata.

L'unità deve essere collegata all'aria compressa a 7-12 bar (110-180 psi). L'unità utilizza 150 litri/minuto (6 cfm) di aria durante l'esercizio. Tuttavia, quando la ventilazione integrata è in funzione, l'unità utilizza 450 litri/minuto (16 cfm).

L'aria compressa deve essere pulita e asciutta secondo la norma ISO 8573-1, classe 3.4.3 o migliore. Eventuali inquinamenti nell'aria compressa invalidano qualsiasi richiesta di garanzia.

Collegare l'alimentazione dell'aria al raccordo da 1/4". Il tubo dell'aria può essere condotto in questo punto attraverso le fessure sul lato dell'unità o attraverso il retro dell'unità.



Nota!

Assicurarsi che il tubo di alimentazione dell'aria non interferisca con i componenti pneumatici dell'unità.

Messa a terra dell'unità



Avvertenza!

- L'unità deve essere correttamente messa a terra per evitare scariche elettrostatiche.

Mettere a terra correttamente l'unità usando il cavo di messa a terra giallo-verde. Collegare il cavo di messa a terra a un circuito di messa a terra adeguato in base alle normative locali.



Ventilazione e Capture@Source

Le unità DRESTER ACE utilizzano l'estrazione ad alta velocità Capture@Source di Hedson per catturare le emissioni nocive vicino alla loro fonte, riducendo così al minimo l'esposizione dell'utilizzatore e la perdita di solvente. Le discrete aperture di Capture@Source di Hedson contribuiscono a mantenere lo spazio di lavoro aperto e facilmente accessibile.

L'unità può essere ventilata in due modi. Per entrambe le opzioni, la velocità del flusso d'aria all'apertura della cappa deve essere conforme alle leggi e alle normative locali.

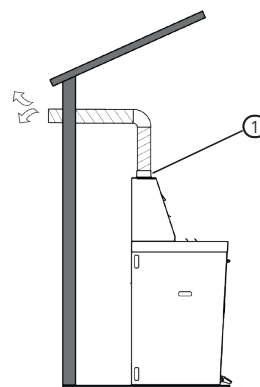


Avvertenza!

- La ventilazione deve essere collegata in modo che **tutte** le parti siano messe a terra.

Opzione 1: se si utilizza l'ugello di ventilazione incorporato, collegare la flangia della cappa (1) a un sistema di ventilazione approvato per la Zona 1.

Opzione 2: collegare la cappa a un ventilatore elettrico approvato ATEX mediante un condotto metallico. Lo scarico dell'aspiratore deve essere condotto all'esterno. Se si utilizza un sistema di ventilazione centrale, l'estrattore pneumatico incorporato può essere scollegato per ridurre il consumo di aria compressa. (Vedere le istruzioni separate nella borsa degli accessori con spina rossa da 6 mm)



11. PREPARAZIONI PER L'USO



Utilizzare una protezione oculare



Utilizzare guanti protettivi



Utilizzare una maschera protettiva

Per tutte le preparazioni, sollevare il pannello frontale e fissarlo alle staffe, vedere **Installazione e collegamento/Sollevamento e abbassamento del pannello frontale**.

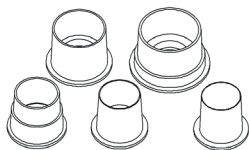
Solvente

Sono necessari due fusti, uno vuoto e uno pieno di solvente. Essi:

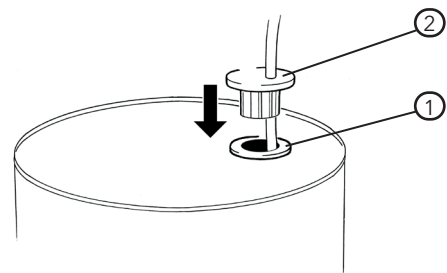
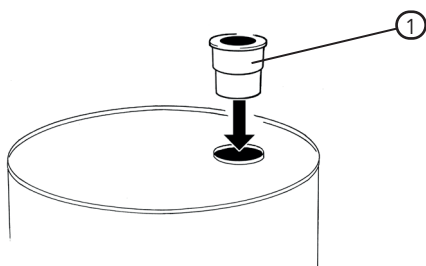
- devono essere della stessa dimensione.
- devono soddisfare i requisiti descritti nella sezione **Fusti di solvente consentiti**.
- devono essere puliti all'interno.
- **non** devono contenere alcun corpo solido né nessun altro oggetto che possa essere aspirato dalle pompe quando queste entrano in funzione.

Adattatori per fusti

Le scatole con una selezione di adattatori conici sono fornite con l'unità.



Selezionare l'adattatore che si adatti bene all'apertura dei fusti (1) e montare il tappo del fusto con i tubi flessibili (2).

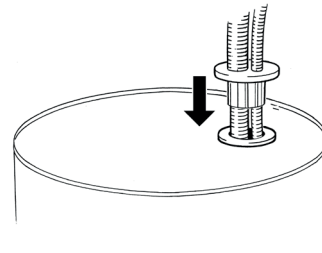


Rabbocco di solvente

Usare un fusto vuoto e uno delle stesse dimensioni pieno di solvente pulito.

Nota! Assicurarsi che tutti i tubi flessibili siano correttamente fatti passare fino in fondo al fusto e che l'apertura sia ben sigillata dal tappo conico.

1. Posizionare il fusto vuoto a sinistra all'interno dell'unità. Inserire il gruppo di tubi flessibili contenenti il tubo di scarico del lavello manuale in questo fusto.



2. Versare metà del contenuto del fusto pieno direttamente nel lavello manuale del detergente per pistola a spruzzo. Questo solvente defluirà nel fusto sotto il lavello.

Nota! Assicurarsi del funzionamento della ventilazione durante questa procedura.

3. Posizionare il fusto ora mezzo pieno sul pavimento dell'unità, a destra del primo fusto. Inserire il secondo gruppo di tubi flessibili (contenente un tubo flessibile **bianco**) in questo fusto.

L'impianto del solvente è ora riempito. I due fusti devono essere pieni a metà. Il fusto di sinistra contiene il solvente che verrà rimesso in circolo per il ciclo automatico di prelavaggio. Il fusto di destra contiene solvente pulito per il risciacquo. I contenuti del fusto di destra verranno gradualmente utilizzati e trasferiti al fusto di sinistra.

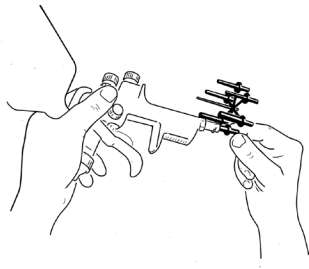
Solvente corrente

Nota! Tutti gli utilizzatori devono essere informati in ogni momento su quale solvente è utilizzato.

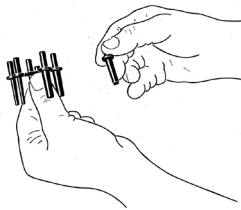
Preparazione del tubo dell'aria nella lavatrice automatica

Questa unità viene fornita con un set di tappi conici per il tubo dell'aria.

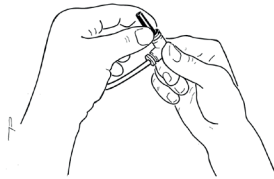
1. Selezionare la spina che meglio si adatta al tubo dell'aria della pistola a spruzzo.



2. Staccare la spina.

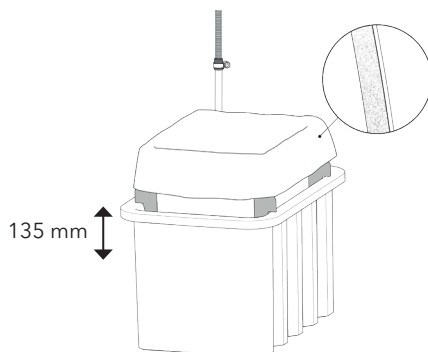


3. Montarla sul tubo dell'aria.



Riempimento dell'acqua

Riempire il serbatoio di filtraggio fino a 135 mm sotto il bordo superiore con acqua pulita.



12. CODIFICA A COLORI

I tubi flessibili per solventi o per acqua nelle unità DRESTER ACE sono neri o bianchi, come segue:

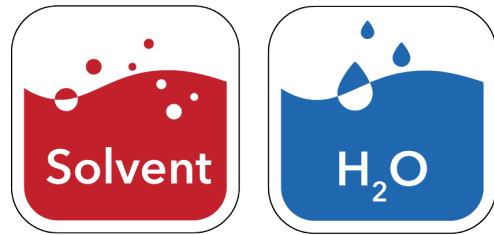
Colore del tubo flessibile	Solvente o acqua
Bianco	Pulito
Nero	Ricircolo

Marcatura del tubo flessibile

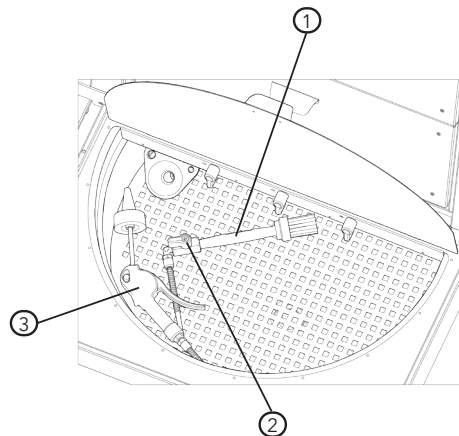
I tubi flessibili sono contrassegnati in **rosso** per il solvente o in **blu** per l'acqua o **AQUASOLVE**.

Marcatura dell'area di lavaggio

Le aree di lavaggio sono contrassegnate da un'etichetta **rossa** per il solvente o da un'etichetta **blu** per l'acqua o **AQUASOLVE**.



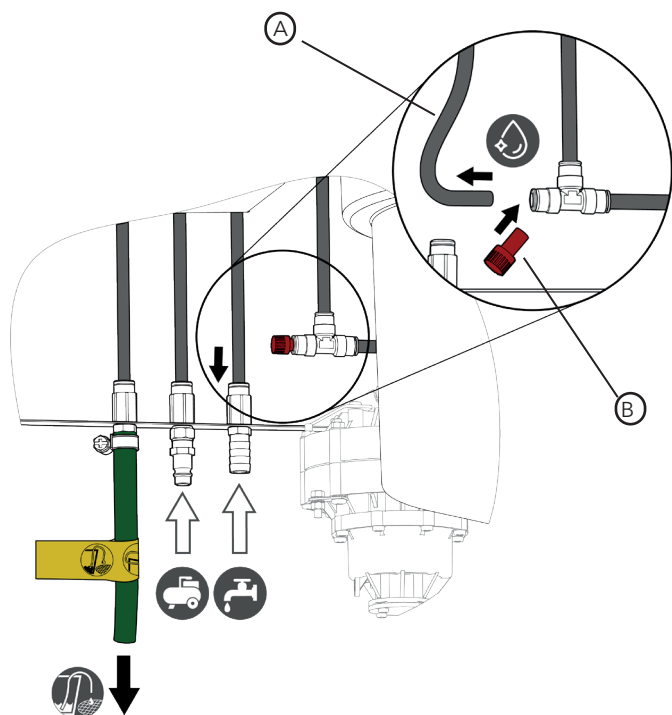
13. CONFIGURAZIONE CON L'ALLACCIAMENTO ALL'ACQUA DEL RUBINETTO



Articolo	Parte
1	Pennello
2	Valvola a sfera (posizione APERTA)
3	Pistola di risciacquo

essere utilizzate con acqua di rubinetto, se disponibile sul sito. In tal caso, l'acqua del rubinetto viene utilizzata per la pistola di risciacquo (3)

14. FUNZIONAMENTO SENZA ALLACCIAMENTO ALL'ACQUA DEL RUBINETTO



Articolo	Parte
A	Tubo flessibile per pistola di risciacquo
B	Spina rossa

Simbolo	Funzione
	Scarico (opzionale)
	Tubo dell'aria
	Ingresso acqua del rubinetto
	Ricircolo dell'acqua

Per utilizzare l'unità con un allacciamento all'acqua del rubinetto, reindirizzare l'unità come segue:

1. Scollegare il tubo blu da 6 mm per la pistola di risciacquo (A) dal pezzo a T e inserirlo nel connettore di ingresso dell'acqua del rubinetto.

2. Inserire il tappo rosso (B) nella giunzione trasversale per tappare il foro.

La pistola di risciacquo nel lavello manuale ora funzionerà con acqua di rubinetto.

15. PREPARAZIONI PER L'USO

Indossare sempre l'equipaggiamento protettivo appropriato quando si utilizza l'unità. Indossare protezioni oculari, guanti protettivi e una maschera protettiva.



Utilizzare una protezione oculare

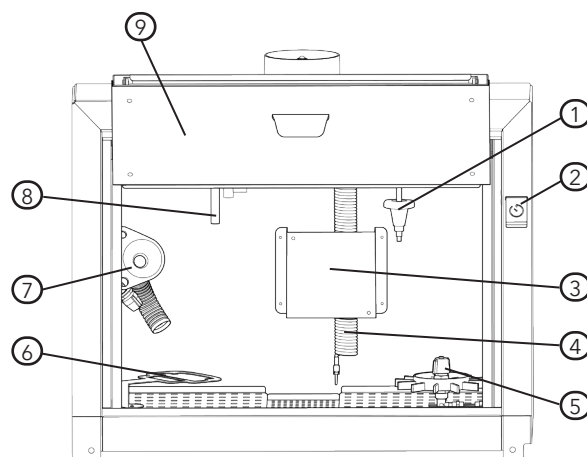


Utilizzare guanti protettivi



Utilizzare una maschera protettiva

16. LAVAGGIO AUTOMATICO

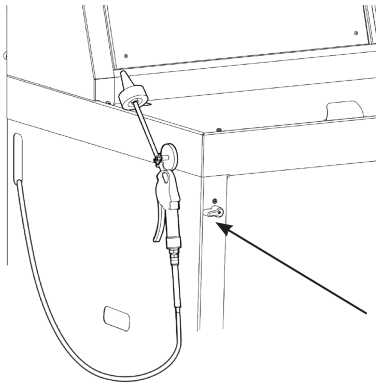


Articolo	Parte
1	Ugello per canale di verniciatura
2	Pulsante timer (avvio del prelavaggio)
3	Piastra per la clip di attivazione
4	Tubo dell'aria
5	Porta bicchiere di vernice
6	Porta coperchio
7	Imbuto
8	Ugello a spruzzo per il solvente (solo per solvente)

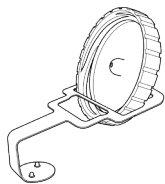
Articolo	Parte
9	Coperchio

Per utilizzare la lavatrice automatica:

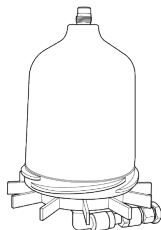
1. Svotare tutta la vernice residua dalla pistola a spruzzo su un vassoio di raccolta separato.
2. Assicurarsi che la valvola principale per l'aria compressa sia aperta.



3. Aprire il coperchio (9) per la lavatrice automatica.
4. Posizionare il coperchio del bicchiere di vernice nel porta coperchio (6).




5. Posizionare il bicchiere di vernice sul porta bicchiere di vernice (5).



6. Inserire la clip di attivazione in base alle illustrazioni in **Inserimento della clip di attivazione**.
7. Collegare la pistola a spruzzo al tubo dell'aria all'interno della lavatrice automatica (4).
8. Spingere la pistola a spruzzo contro l'ugello per il canale di verniciatura (1).
9. Bloccare la pistola a spruzzo in posizione sulla


relativa piastra (3) usando i magneti della clip di attivazione.

10. Chiudere il portello.
11. Avviare il ciclo di prelavaggio automatico premendo il pulsante timer  (2).

La pistola a spruzzo viene pulita automaticamente per circa 1,5 minuti.

12. Quando la procedura di pulizia è completata, aprire il coperchio e rimuovere la pistola di spruzzatura.

Nelle unità adatte alla verniciatura a base solvente, al termine del ciclo di prelavaggio automatico la pistola a spruzzo può essere risciacquata con solvente pulito dall'ugello a spruzzo per il solvente (8).

13. Per vernici a base di solvente: Premere il pedale  per attivare la pompa di risciacquo. La pompa continua a funzionare finché viene premuto il pedale. Due o tre pressioni della pompa sono sufficienti per un risciacquo.

Se necessario, la pistola a spruzzo pulita può essere risciacquata manualmente, vedere **Lavaggio manuale per vernici a base di solvente** o **Lavaggio manuale per vernici a base acquosa**.

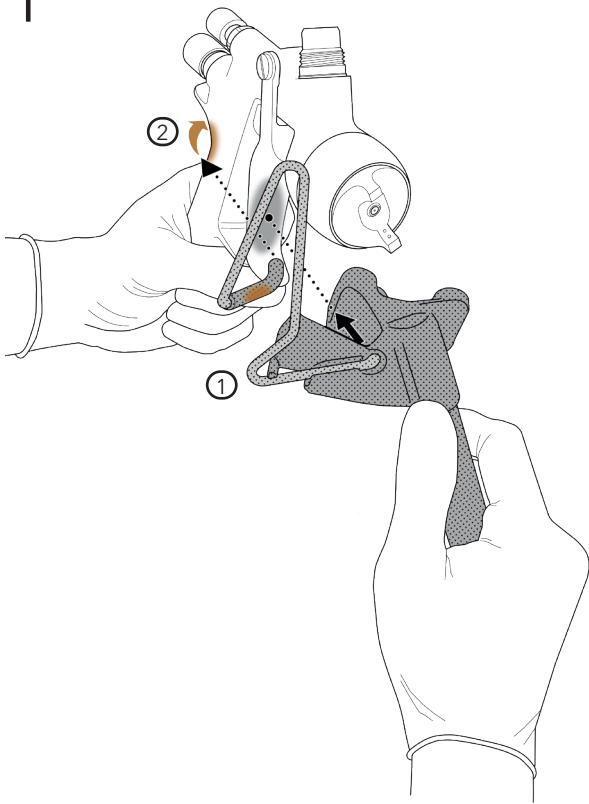
14. Collegare la pistola a spruzzo al **tubo dell'aria** sulla parte destra dell'unità e soffiare fuori dalla pistola attraverso l'imbuto (7). Questo imbuto limita la diffusione dei fumi.

15. Soffiare la pistola a spruzzo a secco con la **pistola ad aria compressa**.

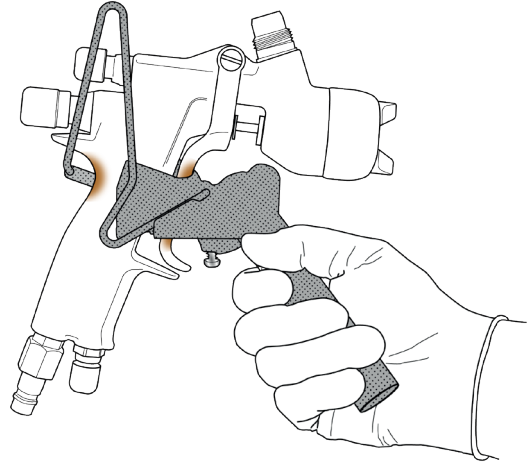
16. Dopo la pulizia, chiudere il coperchio.

17. MONTAGGIO DELLA CLIP DI ATTIVAZIONE

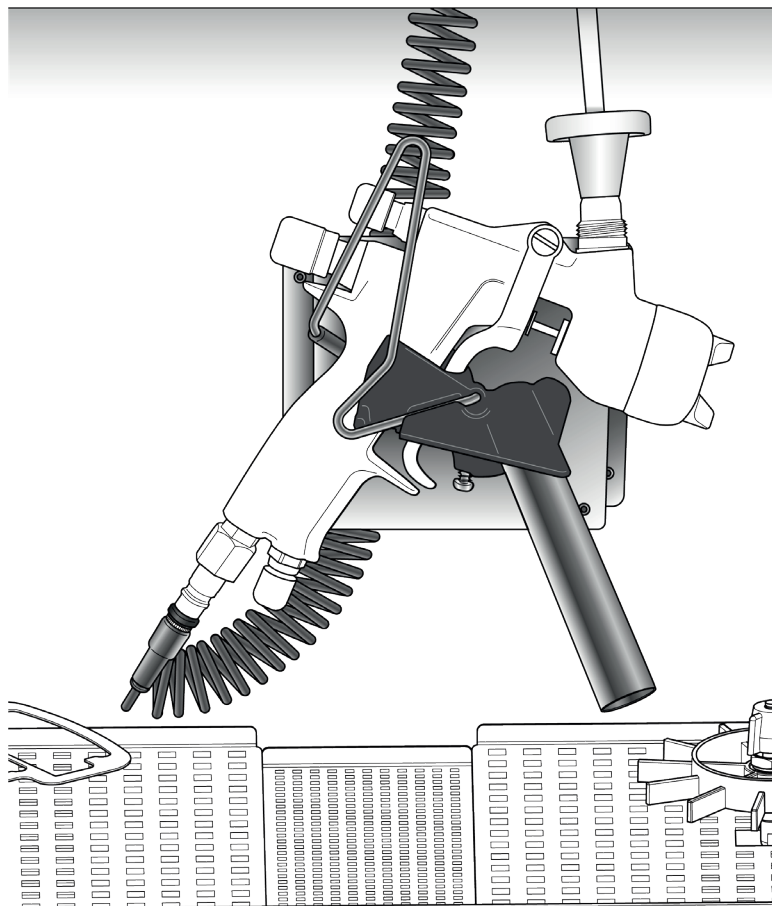
1



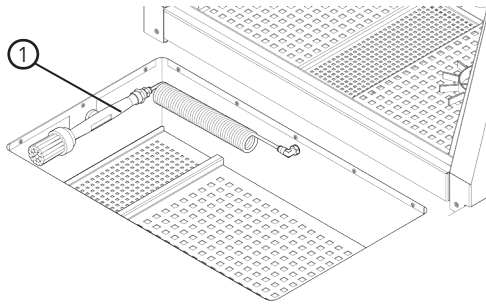
2



3

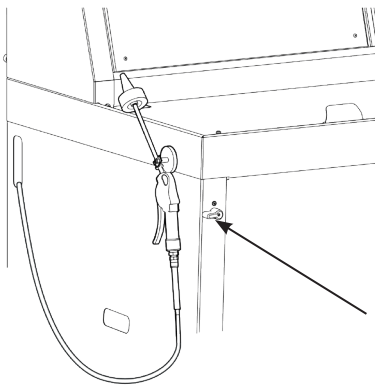



18. LAVAGGIO MANUALE PER VERNICI A BASE DI SOLVENTE



Per utilizzare il lavello manuale per vernici a base di solvente:

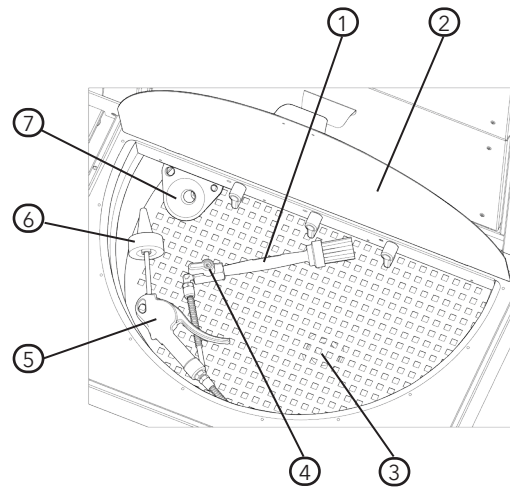
1. Svuotare tutta la vernice residua dalla pistola a spruzzo su un vassoio di raccolta separato.
2. Assicurarsi che la valvola principale per l'aria compressa sia aperta.



3. Aprire il coperchio.
4. Premendo il  pedale, il solvente di ricircolo verrà alimentato attraverso il pennello (1) nel lavello manuale.
5. Pulire la pistola a spruzzo con il pennello.
6. Collegare la pistola a spruzzo al **tubo dell'aria** sulla parte destra dell'unità e soffiare fuori dalla pistola attraverso l'imbuto nella lavatrice automatica. Questo imbuto limita la diffusione dei fumi.
7. Soffiare la pistola a spruzzo a secco con la **pistola ad aria compressa**.
8. Chiudere entrambi i coperchi dopo la pulizia.

Il pennello nel lavello manuale può essere utilizzato indipendentemente dalla vasca automatica.

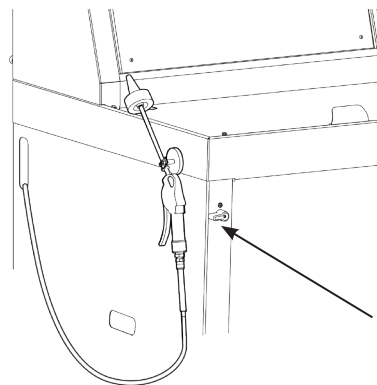
19. LAVAGGIO MANUALE PER VERNICI A BASE ACQUOSA




Articolo	Parte
1	Pennello
2	Coperchio (opzionale)
3	Piattaforma di lavoro
4	Valvola a sfera (posizione APERTA)
5	Pistola di risciacquo
6	Ugello conico
7	Imbuto

Per utilizzare il lavello manuale per vernici a base acquosa:

1. Svuotare tutta la vernice residua dalla pistola a spruzzo su un vassoio di raccolta separato.
2. Assicurarsi che la valvola principale per l'aria compressa sia aperta.



3. Aprire il coperchio (2, opzionale).
4. Premendo il  pedale, l'acqua verrà alimentata attraverso il pennello (1) nel lavello manuale.

1. **Nota!** La valvola a sfera (4) sul pennello deve essere **aperta**.
2. Pulire la pistola a spruzzo con il pennello.
3. Risciacquare il canale di verniciatura della pistola a spruzzo con acqua pulita premendo l'ugello conico (6) della pistola di risciacquo (5) contro il canale di verniciatura della pistola a spruzzo.
4. Quindi, con la pistola di risciacquo, pulire l'esterno della **pistola di risciacquo**.
Nota! Quando si usa la pistola di risciacquo, la valvola a sfera sul pennello deve essere **chiusa**.
5. Collegare la pistola a spruzzo al **tubo dell'aria** sulla parte destra dell'unità e soffiare fuori dalla pistola attraverso l'imbuto nel lavello manuale (7). Questo imbuto limita la diffusione dei fumi.
6. Soffiare la pistola a spruzzo a secco con la **pistola ad aria compressa**.
7. Dopo la pulizia, chiudere il coperchio.

Il pennello e la pistola di risciacquo nel lavello manuale possono essere utilizzati indipendentemente dalla lavatrice automatica.

20. PROCESSO DI COAGULAZIONE

Il processo di coagulazione consente di riutilizzare l'acqua di pulizia.


Nota! Verificare con le autorità competenti se l'acqua filtrata dal processo di coagulazione può essere scaricata nel normale sistema di scarico delle acque. Potrebbe essere necessario richiedere informazioni al fornitore di vernice.

Sono presenti tre valvole all'interno del lavello manuale per la vernice a base acquosa, sulla parete posteriore.

Nota! In posizione **verticale**, queste valvole sono **chius**.





Le valvole sono contrassegnate come segue:

Simbolo	Funzione
 Opzionale	Agitatore/misceleatore Mescola l'acqua inquinata con la vernice per mescolarla con la polvere di coagulazione. Il misceleatore è opzionale.
 Opzionale	Pompa Avvia la pompa per l'uscita di scarico opzionale.

Simbolo	Funzione
 Opzionale	Valvola di scarico Apre una valvola per consentire all'acqua filtrata di essere pompata in uno scarico. Nota! La valvola sul pennello deve essere chiusa .




Svuotamento del serbatoio del filtro

Quando il livello dell'acqua raggiunge il piano di lavoro, è necessario effettuare il processo di coagulazione.

1. Sollevare il pannello frontale e fissarlo alle staffe.
2. Verificare che il serbatoio del filtro sia vuoto. In caso contrario, svuotare il serbatoio di filtraggio a mano.
1. **Opzionale:** unità dotate di kit di valvole per l'acqua
2. Ruotare la valvola di scarico  in posizione aperta.
3. Ruotare la valvola a sfera sul pennello nel lavello manuale in una posizione **chiusa** (punto 4 nella sezione **Lavaggio manuale per vernice a base acquosa**).
4. Iniziare a scaricare aprendo la valvola per la pompa . La pompa drenerà completamente il serbatoio di filtraggio attraverso il tubo di scarico e nel normale sistema di scarico dell'acqua.
5. Quando la pompa inizia a funzionare più velocemente, il serbatoio di filtraggio è vuoto. A questo punto, chiudere la valvola per la pompa e per lo scarico ( e .

Coagulazione

Nota! Il processo di coagulazione deve formare grandi fiocchi di vernice coagulata. In caso contrario, i filtri si ostruiranno e non potranno essere riutilizzati.

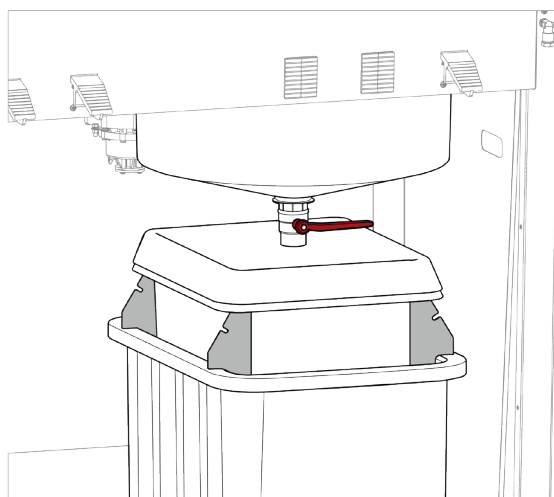
1. Rimuovere la piattaforma di lavoro (punto 3 nella sezione **Lavaggio manuale per vernici a base acquosa**).
2. Aprire la valvola per l'agitatore dell'acqua  (o del miscelatore ottico .
3. Aggiungere della polvere coagulante come raccomandato dal produttore della vernice.
4. Miscelare la polvere con un bastone per un po' per evitare che affondi sul fondo in grumi.
5. Lasciar funzionare l'agitatore  per qualche minuto.
6. Arrestare l'agitatore di tanto in tanto per circa 30

Drester ACE

1. secondi per migliorare il processo. Il tempo totale di coagulazione è di 3-4 minuti.
2. Infine, chiudere la valvola dell'agitatore (o del miscelatore).

Filtrazione

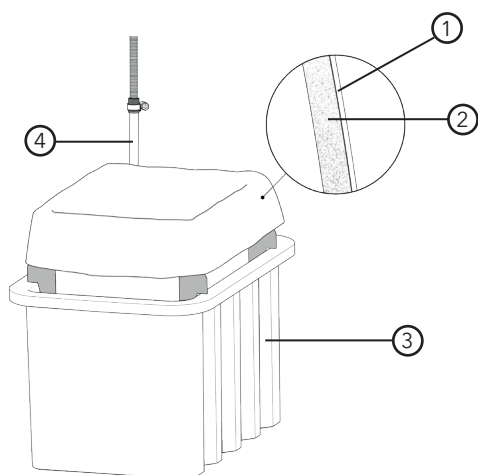
1. Aprire la valvola di scarico nella parte inferiore del lavello manuale e scaricare completamente il lavello nel filtro.



2. Pulire accuratamente l'interno del lavello manuale con il pennello (con acqua riciclata). Eventuali resti di fiocchi residui devono essere completamente scaricati nel filtro.
3. Chiudere la valvola di scarico.

21. SOSTITUZIONE DEI FILTRI

Nota! Utilizzare solo filtri e prefiltri principali originali DRESTER, poiché questi sono approvati dai produttori di vernici.



Articolo	Parte
1	Prefiltro
2	Filtro principale
3	Serbatoio di filtraggio
4	Filtro sul tubo di aspirazione

Il prefiltro (1) raccoglie la maggior parte del fango coagulato, mentre il filtro principale (2) raccoglie le particelle di vernice più fini.

Rimuovere i residui di vernice dal prefiltro. Una volta che i residui di vernice sono completamente asciutti, sono facili da rimuovere. Se i residui di vernice vengono rimossi dopo ogni processo di coagulazione, il prefiltro può essere riutilizzato fino a 10 volte.

Il filtro principale viene gradualmente otturato dopo la cattura delle particelle di vernice più fini. Generalmente, il filtro principale può essere utilizzato per massimo 5 processi di coagulazione. Tuttavia, il filtro principale deve essere cambiato ogni 1-2 mesi per prevenire crescite batteriche.

Nota! I residui di vernice coagulata devono essere gestiti secondo le norme delle autorità competenti. Potrebbe essere necessario richiedere informazioni al fornitore di vernice.

22. MATERIALI DI CONSUMO

Le unità adatte alle vernici a base acquosa, ossia DRESTER ACE DG2A/DI2A, DG2C/DI2C, DG3C/DI3C e DG4C/DI4C, possono essere fornite con filtro principale, prefiltro, solvente a base acquosa DRESTER AQUASOLVE e POLVERE DI FLOCCULAZIONE DRESTER. Tutti i materiali di consumo possono essere ordinati presso il rappresentante locale o direttamente da Hedson Technologies.

23. MANUTENZIONE

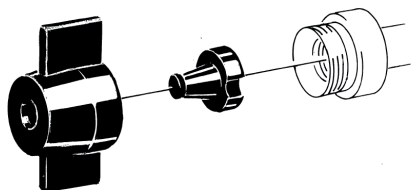
Ogni settimana

- Rimuovere i filtri sul fondo delle lavatrici automatiche e pulirli.

Nota! Ricordarsi di fare il refit!

Ogni mese

- Rimuovere tutti e cinque gli ugelli in ciascuna lavatrice automatica e pulirli con solvente pulito.



- Cambiare completamente l'acqua.
- Cambiare il filtro principale.

Durante la sostituzione dei fusti

- Controllare e, se necessario, pulire i filtri sui tubi di aspirazione.

Durante la sostituzione dei filtri

- Controllare e, se necessario, pulire il filtro sul condotto di aspirazione (voce 4 in **Sostituzione dei filtri**).
- Rimuovere il serbatoio di filtraggio (3) e svuotarlo completamente. Sciacquarlo con acqua e asciugarlo con un panno o con della carta.

24. FINE VITA

Il riciclaggio deve sempre avvenire in conformità alle leggi e alle normative locali.

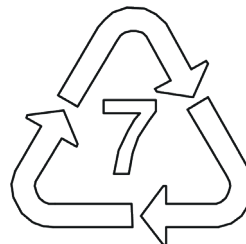
Le unità DRESTER ACE sono state fabbricate per essere completamente riciclate. Le unità sono costituite da parti realizzate in lamiera di metallo, ottone e plastica.

Lamiera di metallo e ottone

Tutte le parti in lamiera di metallo e ottone possono essere rottamate per un ulteriore riciclaggio.

Plastico

Tutte le parti in plastica sono state contrassegnate con un codice identificativo in resina a forma di triangolo e un codice. Tutte le parti in plastica devono essere riciclate in base all'apposita marcatura.



Drester ACE

1. PROTOCOLLO DI INSTALLAZIONE

Controllare ...	Data	Firma
Modello Drester ACE: <input type="checkbox"/> DG2A/DI2A <input type="checkbox"/> DG2S/DI2S <input type="checkbox"/> DG4S/DI4S <input type="checkbox"/> DG2C/DI2C <input type="checkbox"/> DG3C/DI3C <input type="checkbox"/> DG4C/DI4C		
Sono state adottate misure per evitare pericoli dovuti a fuoriuscite o perdite accidentali.		
L'installazione viene effettuata in conformità alle normative e alle direttive applicabili per le aree pericolose.		
L'unità è messa a terra in conformità alle normative e alle direttive applicabili per le aree pericolose.		
L'unità è adeguatamente ventilata e la ventilazione è messa a terra in conformità alle normative e alle direttive applicabili per le aree pericolose.		
L'unità non presenta perdite in: <input type="checkbox"/> alimentazione dell'aria <input type="checkbox"/> tubi dell'aria <input type="checkbox"/> tubi flessibili per liquidi		
Tutte le funzioni dell'unità: <input type="checkbox"/> pedale(i) <input type="checkbox"/> pennello(i) <input type="checkbox"/> pistola ad aria compressa <input type="checkbox"/> ugello a spruzzo <input type="checkbox"/> pulsante timer		
Questo manuale è disponibile presso l'unità.		
Aria compressa		
L'aria compressa è secca e priva di olio secondo la norma ISO 8573-1, classe 3.4.3 o superiore.		
Le tubazioni e gli attacchi dell'aria compressa sono adeguatamente dimensionati.		
Per unità adatte alla pulizia di vernici a base acquosa		
Configurazione dell'acqua del rubinetto: A/B A. L'acqua del rubinetto è collegata all'unità, oppure B. L'unità è predisposta per l'uso con acqua filtrata di ricircolo, come descritto nel presente manuale.		
Un tubo di scarico viene instradato dall'unità a uno scarico. S/N		
Tutti i filtri per il processo di coagulazione sono montati come descritto nel presente manuale.		

2. RISOLUZIONE DEI PROBLEMI

Se si verificano problemi dopo la risoluzione dei problemi, contattare un tecnico dell'assistenza.

Per ulteriori informazioni sulle unità DRESTER ACE, consultare i seguenti documenti:

- lista dei pezzi di ricambio (per tutti i modelli)
- circuito pneumatico (per ogni modello)
- circuito dei liquidi (per ogni modello)

Problema	Causa	Cosa fare
Flusso limitato o assente durante il ciclo di prelavaggio.	Filtro sul tubo di aspirazione bloccato.	Pulire o sostituire.
	Il tubo di aspirazione non raccoglie il solvente.	Controllare se il tubo di aspirazione presenta perdite. Controllare se il fusto del solvente è vuoto.
	Ugelli a spruzzo nella lavatrice automatica bloccati.	Rimuovere e pulire gli ugelli.
	Valvole di ritegno nella pompa bloccate o non ermetiche.	Rimuovere i connettori della pompa, pulire le valvole e rimuovere il blocco.
La pompa non si ferma dopo 1,5 minuti.	Unità di perdita d'aria del timer bloccata.	Per la sostituzione, contattare un tecnico dell'assistenza.
	Avviare la valvola che perde continuamente.	Per la sostituzione, contattare un tecnico dell'assistenza.
La pompa di prelavaggio non funziona.	Controllare la pressione dell'aria e il tubo di alimentazione.	Assicurarsi che l'alimentazione dell'aria all'unità sia conforme ai dati tecnici.
	Controllare la funzione della valvola di avvio.	Per la sostituzione, contattare un tecnico dell'assistenza.
	Il braccio del coperchio non raggiunge la valvola di sicurezza.	Regolare la posizione del braccio del coperchio.
	La valvola di sicurezza non funziona.	Per la sostituzione, contattare un tecnico dell'assistenza.
La ventilazione non inizia quando il coperchio viene aperto.	La valvola di sicurezza non funziona.	Per la sostituzione, contattare un tecnico dell'assistenza.
	Il braccio del coperchio non raggiunge la valvola di sicurezza.	Regolare la posizione del braccio del coperchio.
L'ugello di spruzzatura manuale nella lavatrice automatica non funziona quando viene premuto il pedale.	La valvola di spruzzatura non funziona.	Controllare la funzione del pedale e della valvola. Per la sostituzione, contattare un tecnico dell'assistenza.

Drester ACE

Problema	Causa	Cosa fare
L'ugello di spruzzatura manuale non spruzza il solvente.	Il tubo di aspirazione da 6 mm non preleva il solvente.	Controllare che il tubo di aspirazione raggiunga il fusto del solvente.
	Ugello bloccato da detriti.	Rimuovere il tubo di aspirazione da 6 mm dal fusto e utilizzare la pistola ad aria compressa per l'ugello di scarico posteriore.
L'estrazione non funziona correttamente.	Tubo dell'aria, alimentazione dell'aria o pressione dell'aria limitati.	Assicurarsi che l'alimentazione dell'aria all'unità sia conforme ai dati tecnici.
	Ugello di ventilazione bloccato, ad esempio da un accumulo di vernice.	Per la sostituzione, contattare un tecnico dell'assistenza.

1. OBJET DU PRÉSENT DOCUMENT

Ce document concerne les nettoyeurs de pistolets DRESTER suivants :

- DRESTER ACE Double Aqua (DG2A/DI2A)
- DRESTER ACE Double Solvent (DG2S/DI2S)
- DRESTER ACE Quattro Solvent (DG4S/DI4S)
- DRESTER ACE Double Combo (DG2C/DI2C)
- DRESTER ACE Triple Combo (DG3C/DI3C)
- DRESTER ACE Quattro Combo (DG4C/DI4C)

Double/Triple/Quattro = 2/3/4 zones de lavage dans l'appareil.

Désignation du modèle se terminant par un A = L'appareil est destiné à la peinture à base d'eau (Aqua).

Désignation du modèle se terminant par un S = L'appareil est destiné à la peinture à base de solvant (solvant).

Désignation du modèle se terminant par un C = L'appareil est destiné à la peinture à base d'eau et à base de solvant (Combo).

Toutes les instructions sont valables pour tous les modèles, sauf indication contraire.

2. INFORMATIONS DE SÉCURITÉ

Une mauvaise utilisation des nettoyeurs de pistolets DRESTER peut entraîner des dangers.

Un mauvais choix ou une mauvaise manipulation des fûts ou des solvants comporte également des risques.

Pour un niveau de sécurité optimal de l'appareil, suivez scrupuleusement les instructions ci-dessous.

- Lisez et veillez à bien comprendre les informations contenues dans ce manuel.
- Conservez ce manuel à proximité de l'appareil. Veillez à ce qu'il soit lisible.
- Chaque utilisateur doit savoir où trouver le manuel.
- Les consignes d'utilisation doivent être basées sur ce manuel et rédigées dans la langue parlée par l'utilisateur.
- Installez votre appareil comme décrit dans ce manuel.
- Utilisez votre appareil comme décrit dans ce manuel.
- Entretenez votre appareil comme décrit dans ce manuel.

- N'utilisez que des pièces de rechange d'origine.
- Ne modifiez en aucun cas l'appareil.
- N'utilisez pas l'appareil s'il n'est pas correctement ventilé et si l'extraction des vapeurs n'est pas suffisante.
- Évitez tout contact avec les liquides et les vapeurs. Consulter la fiche de données de sécurité (FDS) des solvants.
- Porter l'équipement de protection adéquat :
 - » Des lunettes de protection contre les produits chimiques pour protéger vos yeux.
 - » Des gants résistants aux produits chimiques pour éviter tout contact avec la peau.
 - » Des vêtements résistants aux produits chimiques pour se protéger contre les déversements ou les éclaboussures.



Portez une protection oculaire



Portez des gants de protection



Portez un masque de protection

- Les personnes souffrant de problèmes respiratoires ou d'allergies aux solvants utilisés ne doivent pas utiliser l'appareil.
- Nettoyez immédiatement les déversements accidentels.
- Pour éviter les fuites accidentelles et les déversements de fûts, assurez-vous que les mesures appropriées sont en place.
- Ne pas fumer, manger ou boire à proximité de l'appareil.



Le feu, la flamme nue et le tabagisme sont strictement interdits

- Une soupape de sécurité interrompra le cycle de lavage automatique si le couvercle est ouvert avant la fin du cycle de lavage. En cas de dysfonctionnement réel ou supposé de la soupape de sécurité, l'appareil **ne doit pas** être utilisé tant que celle-ci n'a pas été réparée.
- Les pistolets ou tout autre équipement de peinture nettoyé dans l'appareil doivent pouvoir être nettoyés dans une zone 1 (réf. DIRECTIVE 1999/92/

Drester ACE

- CE si l'appareil est utilisée avec des solvants inflammables.
- L'appareil doit être correctement mise à la terre conformément aux réglementations locales applicables.
- Pour éviter toute décharge accidentelle d'électricité statique, assurez-vous que les mesures appropriées sont en place, conformément aux réglementations locales.

3. OBJECTIF

Cette machine est prévue pour le nettoyage des pistolets de pulvérisation pneumatiques avec des gobelets de peinture alimentés par gravité qui ont été utilisés pour la peinture. Les pistolets pulvérisateurs peuvent être nettoyés avec du solvant (tous sauf DG2A/DI2A) ou de l'eau.

Selon le modèle, les unités DRESTER ACE sont équipées d'une ou deux rondelles automatiques pour pistolets de pulvérisation avec des gobelets de peinture alimentés par gravité et d'un ou deux éviers manuels.

Laveuses automatiques

Les laveuses automatiques sont utilisées avec des solvants à base de diluants, des solvants à base d'eau ou de l'eau (selon le modèle).

Éviers manuels

Les éviers manuels sont utilisés pour nettoyer les outils utilisés dans les travaux de peinture des véhicules, tels que les pistolets pulvérisateurs avec des gobelets de peinture alimentés par aspiration, les grattoirs de remplissage et les pinces.

Utilisez des solvants à base de diluant, des solvants à base d'eau ou de l'eau (selon le modèle).

Toute autre utilisation de l'appareil est strictement interdite.

4. CARACTÉRISTIQUES TECHNIQUES


Fabricant	HEDSON TECHNOLOGIES AB Hammarvägen 4 SE-232 37 Arlöv, Suède
Tél.	+46 40 53 42 00
Type d'unité	DRESTER ACE

Poids, kg (lb)	
DG2A/DI2A	80 (176)
DG2S/DI2S	80 (176)
DG4S/DI4S	100 (220)
DG2C/DI2C	80 (176)
DG3C/DI3C	90 (140)
DG4C/DI4C	100 (220)
Largeur, mm (po)	
DG2A/DI2A	840 (33.07)
DG2S/DI2S	840 (33.07)
DG4S/DI4S	1190 (46.85)
DG2C/DI2C	840 (33.07)
DG3C/DI3C	1190 (46.85)
DG4C/DI4C	1190 (46.85)
Tous les modèles	
Hauteur, mm (po)	1488 (58.58)
Profondeur max., mm (po)	675 (26.57)
Profondeur au sol, mm (po)	621 (24.45)
Diamètre de l'extracteur, mm (po)	100 (3.94)
Air comprimé requis, bar (psi)	7-12 (110-180)
Exigence d'extraction m ³ /h (cfm)	360 (212)
Niveau de pression acoustique, dB(A)	<70 dB(A)
Volume max. de solvant / à base d'eau, litres	30+30
Taille max. du fût, litres	60
Capacité de la pompe, litres/minute	10
Pression du solvant, bar (psi)	2 (30)

5. MISE EN PLACE DE L'APPAREIL

Les unités DRESTER ACE sont des équipements de catégorie 2 (réf. Directive ATEX 2014/34 CE) et peuvent donc être utilisés dans un lieu de travail classé Zone 1 (voir Directive ATEX 1999/92 CE).

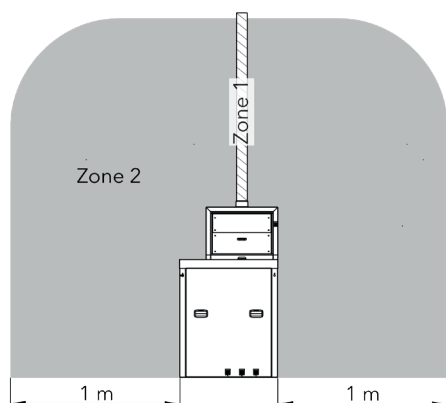
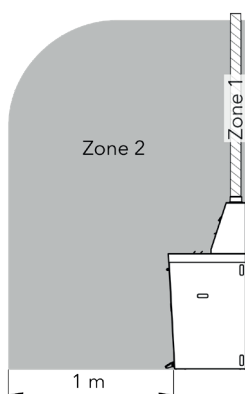
Les unités Drester Ace sont marquées :

CE  E II 2 G

Ex h IIB T6 Ga Tamb 0°C à +45°C

Si un DRESTER ACE est placé dans un endroit classé en zone 2 ou dans des endroits non classés, les règles suivantes sont d'application à condition que la ventilation de l'unité soit installée comme décrit dans le présent manuel :

- L'espace entourant le DRESTER ACE de moins de 1 m doit être classé dans la zone 2 et l'intérieur du conduit dans la zone 1.
- L'étendue de la zone classée peut être réduite au moyen d'une ventilation.



- Dans ces zones classées, tous les équipements dont les appareils électriques doivent être approuvés pour les zones décrites.



Attention !

- L'utilisation d'équipements générant des flammes vives ou des étincelles (par ex. équipements pour soudure ou meulage) est **interdite** dans cette zone.



Attention !

- Il est **interdit** de fumer.

En cas de doute, veuillez contacter les autorités locales pour obtenir des conseils.

Remarque !

Ce manuel fait partie intégrante de l'appareil et il doit rester disponible à tout moment.

6. SOLVANTS AUTORISÉS



Attention !

- **N'utilisez jamais** de solvant sans fiche de données de sécurité. Lire attentivement la fiche de données de sécurité et suivre toutes les instructions et procédures.
En cas de doute ou si vous désirez obtenir plus d'informations à propos des solvants, contactez votre fournisseur.
- **N'ajoutez jamais** d'autres produits chimiques au solvant.

Généralités

Remarque : Vérifier les réglementations locales concernant le volume maximal autorisé de solvants conservés dans l'appareil.

Tous les solvants doivent présenter une valeur pH comprise entre 4 et 10. **Ne pas** mélanger des solvants à base d'eau avec des solvants à base de diluant.

Remarque ! Tous les utilisateurs doivent connaître le solvant utilisé, à tout moment.

Solvants approuvés Groupe IIA

Tous les solvants et mélanges de solvants destinés au nettoyage des pistolets classés dans le groupe IIA conformément à la norme EN 60079-20-1 peuvent être utilisés, tels que l'acétone, le toluène, l'isobutanol et le **xylène**.

De l'eau ou des solvants à base d'eau peuvent également être utilisés dans la laveuse automatique et l'évier manuel pour la peinture à base de solvant.

Solvants approuvés Groupe IIB

Outre les solvants classés dans le groupe IIA, les solvants classés dans le groupe IIB sont approuvés pour une utilisation dans **les nettoyeurs de pistolets ACE de DRESTER à condition que les conditions suivantes soient remplies :**

- une valeur MESH (Maximum Experimental Safe Gap) supérieure à 0,8 mm, et/ou
- Un rapport MIC (Minimum Igniting Current) supérieur à 0,7.
- Le volume de solvant ne dépasse pas **70 % du mélange de solvants utilisé dans le nettoyeur de pistolet pulvérisateur.**

Pour toute question, veuillez contacter Hedson Technologies.

Évier manuel pour peinture à base d'eau

Dans l'évier manuel pour la peinture à base d'eau, seule l'eau peut être utilisée.

7. FÛTS DE SOLVANTS AUTORISÉS

Quel que soit leur type, tous les fûts utilisés dans un DRESTER ACE doivent :

- s'insérer dans l'appareil.
- être étanches.
- être fabriqué dans un matériau conducteur.

Remarque ! Vérifiez les réglementations locales concernant le volume maximum autorisé de solvant à l'intérieur de l'appareil.

Remarque ! Hedson Technologies ne fournit pas de fûts de solvant. Hedson Technologies décline toute responsabilité pour les fûts utilisés. Suivre attentivement les instructions du fournisseur de solvant.

8. BAC RÉCEPTEUR

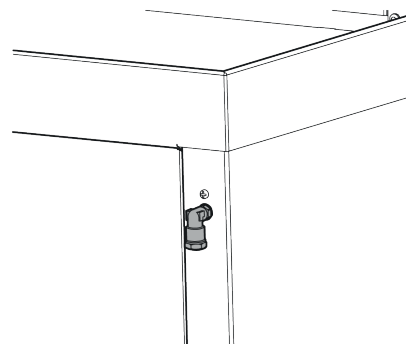
Installez l'appareil de manière à ce que toute fuite accidentelle de solvant ou d'eau contaminée ne se propage pas dans un système de drainage des eaux. Pour ce faire :

- Installer l'appareil à un endroit où le sol et les murs peuvent contenir toute fuite accidentelle du fût, ou
- Installez l'appareil avec un bac collecteur sous le fût de solvant et le récipient d'eau. Le bac collecteur doit être suffisamment grand pour contenir le volume d'au moins un fût qui fuit.

9. MONTAGE

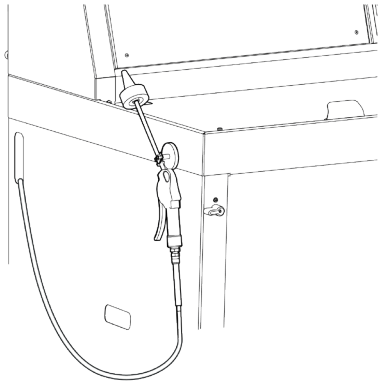
Pour assembler l'unité :

1. Vérifiez que l'emballage ne présente aucun dommage dû au transport.
2. Retirez l'emballage et vérifiez que l'appareil n'a pas été endommagé pendant le transport. Tout dommage constaté doit être immédiatement signalé au transporteur.
3. Fixez un raccord rapide à la **conduite** d'air sur le côté droit de l'appareil.

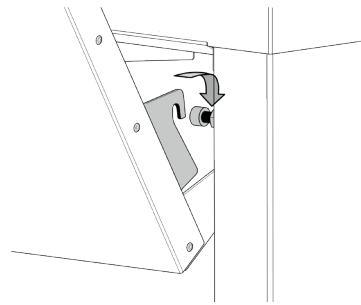


Cette conduite d'air permet de purger le pistolet après le nettoyage.

4. Pendant le transport, le **canon** à air comprimé de l'unité est placé à l'intérieur. Le retirer et le remettre en place avec son aimant dans un endroit approprié.



Ce pistolet à air permet de sécher le pistolet après le nettoyage.



Pour abaisser le panneau avant, soulevez-le légèrement pour libérer ses crochets, inclinez-le vers l'extérieur et abaissez-le.

Retrait du panneau avant

Pour retirer le panneau avant :

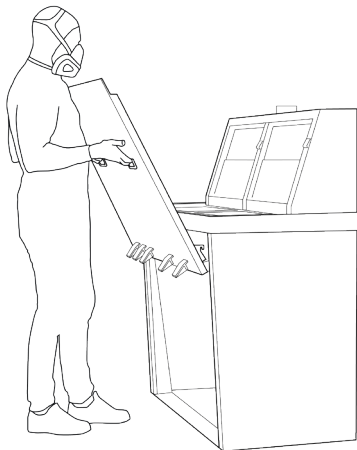
1. Soulevez le panneau vers l'extérieur.
2. Inclinez le panneau d'un côté.

10. INSTALLATION ET CONNEXION

Lever et abaisser le panneau avant.

Pour soulever le panneau avant :

1. Soulevez le panneau avant vers l'extérieur et vers le haut.



2. Soulevez-le uniformément et fixez-le à ses supports.

Cette opération permet de libérer les galets du rail droit/gauche.

Air comprimé

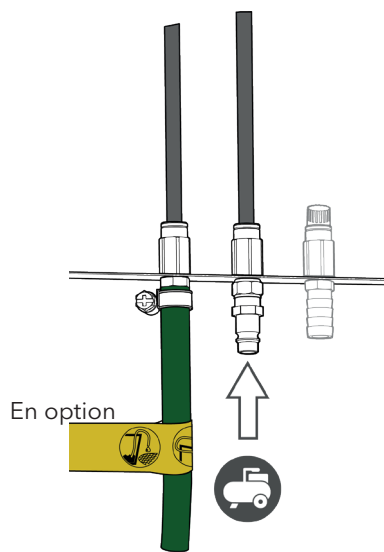
Afin d'éviter des chutes de pression, la ligne d'air et les raccords doivent être de dimensions adéquates. Le régulateur de la machine est préréglé à 6,5 bars (100 psi). Ce paramètre **ne doit pas** être modifié.

La machine doit être raccordée à une arrivée d'air comprimé de 7 à 12 bars (110-180 psi). Lorsqu'il est utilisé, l'appareil utilise 150 litres/minute (6 cfm) d'air. Cependant, lorsque la ventilation intégrée fonctionne, l'unité utilise 450 litres / minute (16 cfm).

L'air comprimé doit être propre et sec conformément à la norme ISO 8573-1, classe 3.4.3 ou supérieure. Toute pollution de l'air comprimé invalidera votre demande de garantie.

Connectez l'alimentation en air au raccord 1/4".

La conduite d'air peut être amenée jusqu'à ce point par les fentes latérales de l'unité, ou par l'ouverture arrière de l'unité.



Remarque :

Le flexible d'alimentation en air ne doit pas interférer avec les composants pneumatiques de l'appareil.

Mise à la masse de l'appareil



Attention !

- L'appareil doit être correctement mis à la terre pour éviter les décharges électrostatiques.

Mettre l'appareil à la terre correctement à l'aide du câble jaune-vert. Connectez le câble de mise à la terre à un circuit de masse approprié conformément aux réglementations locales.



Ventilation et Capture@source

Les unités ACE de DRESTER utilisent l'extraction à grande vitesse Capture@Source Hedson pour capturer les émissions nocives à proximité de leur source, minimisant ainsi l'exposition des utilisateurs et les pertes de solvants. Les bouches d'aération discrètes de Hedson's Capture@Source permettent de garder l'espace de travail ouvert et facilement accessible.

L'appareil peut être ventilé de deux manières. Pour les deux options, la vitesse du débit d'air à l'ouverture de la hotte doit être conforme aux lois et réglementations locales.

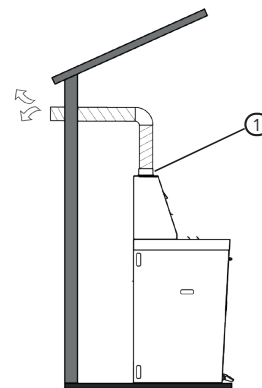


Attention !

- La ventilation doit être raccordée de manière à ce que toutes les pièces soient mises à **la terre**.

Option 1 : Si vous utilisez la buse de ventilation intégrée, raccorder la bride de la hotte (1) à un système de ventilation approuvé pour la zone 1.

Option 2 : Connectez la hotte à un ventilateur électrique approuvé ATEX à l'aide d'un conduit métallique. L'évacuation de ce conduit devra déboucher à l'extérieur. Lors de l'utilisation d'un système de ventilation central, l'extracteur pneumatique intégré peut être déconnecté afin de réduire la consommation d'air comprimé. (Voir instruction séparée dans le sac d'accessoires avec prise rouge de 6 mm)



11. PRÉPARATIONS POUR L'UTILISATION



Portez une protection oculaire



Portez des gants de protection



Portez un masque de protection

Pour tous les préparatifs, soulevez le panneau avant et fixez-le à ses supports, voir **Installation et raccordement/ Lever et abaisser le panneau** avant.

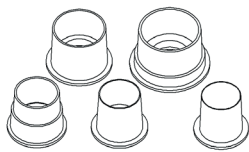
Solvant

Deux fûts de solvant sont nécessaires, un vide et un rempli de solvant. Ils :

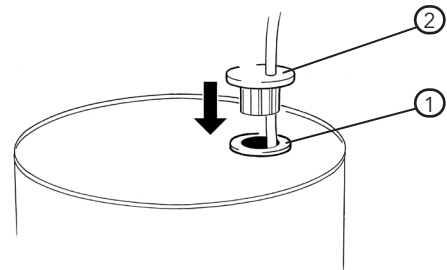
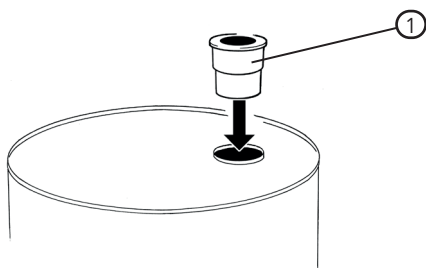
- doivent être de la même taille.
- doivent satisfaire aux exigences décrites à la section **Fûts de solvants autorisés**.
- doivent être propres à l'intérieur.
- **ne doivent pas** contenir de solides ou autres objets qui pourraient être aspirés dans les pompes en fonctionnement.

Adaptateurs de fûts

Des boîtes avec une sélection d'adaptateurs coniques sont fournies avec l'unité.



Choisir l'adaptateur qui s'insère bien dans l'ouverture des fûts (1), et monter le bouchon du fût avec les flexibles (2).

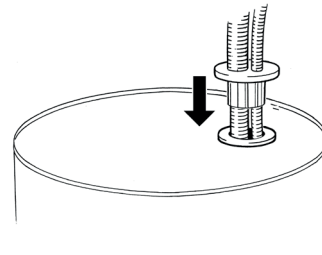


Remplissage de solvant

Utilisez un fût vide et un autre identique de la même taille rempli de solvant propre.

Remarque : Les flexibles doivent être correctement amenés dans le fût jusqu'au fond et l'ouverture doit être rendue étanche grâce au bouchon conique.

1. Placez le fût vide à gauche à l'intérieur de l'appareil. Insérez dans ce fût le groupe de flexibles contenant le flexible de vidange de l'évier.



2. Versez la moitié du contenu du fût plein directement dans l'évier manuel du nettoyeur. Ce solvant s'écoulera dans le fût sous l'évier.

Remarque ! Veillez à ce que la ventilation fonctionne au cours de cette procédure.

3. Placez le fût à moitié plein sur le sol où se trouve l'appareil, à droite du premier fût. Insérez le deuxième groupe de flexibles (contenant un **flexible blanc**) dans ce fût.

Le contenant de solvants est désormais rempli. Les deux fûts doivent être à moitié remplis. Le fût gauche contient le solvant qui recirculera pour le cycle de prélavage automatique. Le fût droit contient du solvant propre pour le rinçage. Le contenu du fût droit sera progressivement utilisé et transféré sur le fût gauche.

Drester ACE

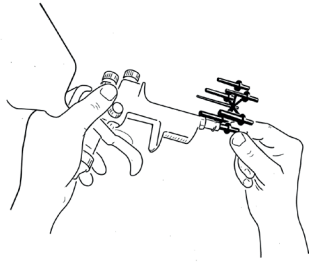
Solvant utilisé

Remarque : Tous les utilisateurs doivent connaître le solvant utilisé, à tout moment.

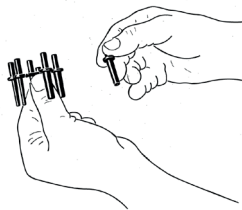
Préparation de la conduite d'air dans le laveur automatique

Cet appareil est livré avec un jeu de bouchons coniques pour la conduite d'air.

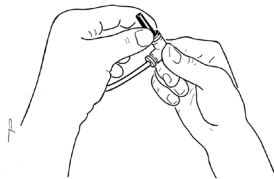
1. Sélectionnez le bouchon qui convient le mieux à l'entrée d'air du pistolet.



2. Détachez la fiche.

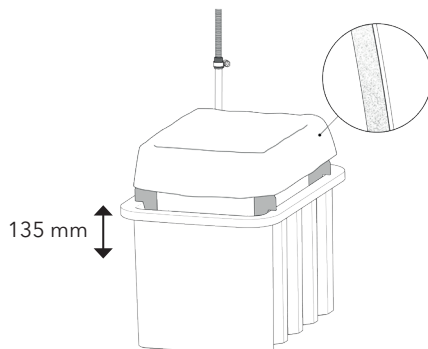


3. L'installer sur la conduite d'air.



Remplir d'eau

Remplissez le récipient de filtrat jusqu'à 135 mm sous son bord supérieur avec de l'eau propre.



12. CODIFICATION COULEUR

Les flexibles pour solvants ou eau dans les unités DRESTER ACE sont noirs ou blancs, comme suit :

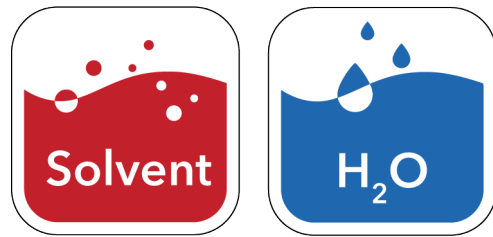
Couleur du flexible	Solvant ou eau
Blanc	Propre
Noir	Recirculation

Marquage des flexibles

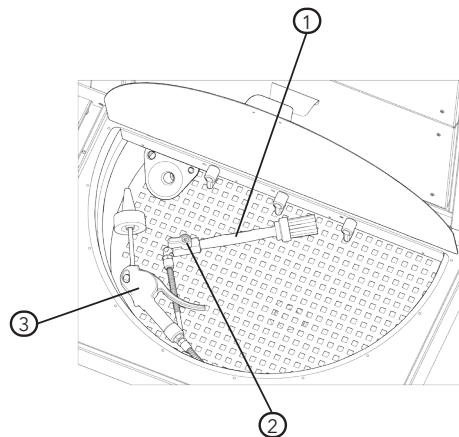
Les flexibles sont marqués **en rouge pour le solvant** ou **en bleu** pour l'eau ou **AQUASOLVE**.

Marquage de la zone de lavage

Les zones de lavage sont marquées par une étiquette rouge pour le solvant ou une **étiquette bleue** pour l'eau ou AQUASOLVE.



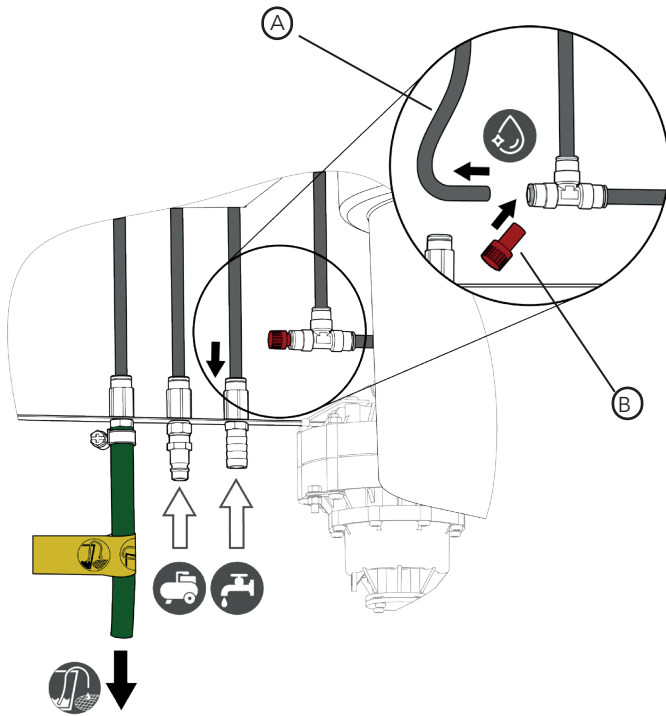
13. CONFIGURATION AVEC ARRIVÉE D'EAU



Article	Pièce
1	Brosse
2	Vanne à boisseau sphérique (position OUVERTE)
3	Pistolet de rinçage

Les unités adaptées à la peinture à base d'eau peuvent être utilisées avec une arrivée d'eau si elles sont disponibles sur le site. Le cas échéant, arrivée d'eau est utilisée pour le pistolet de rinçage (3)

14. FONCTIONNEMENT AVEC ARRIVÉE D'EAU



Article	Pièce
A	Flexible pour pistolet à rincer
B	Fiche rouge

Symbole	Fonctionnalité
	Vidange (facultatif)
	Conduite d'air
	Arrivée d'eau
	Recirculation de l'eau

Pour faire fonctionner l'appareil avec une arrivée d'eau, réacheminez l'appareil comme suit :

- Débranchez le flexible bleu de 6 mm du pistolet de rinçage (A) de la pièce en T et fixez-le au connecteur d'entrée d'eau.

- Placez le bouchon rouge (B) dans la jonction transversale pour boucher le trou.

Le pistolet de rinçage dans l'évier manuel fonctionnera maintenant avec l'arrivée d'eau.

15. PRÉPARATIONS POUR L'UTILISATION

Portez toujours l'équipement de protection approprié lorsque vous utilisez l'appareil. Portez une protection oculaire, des gants de protection et un masque de protection.



Portez une protection oculaire

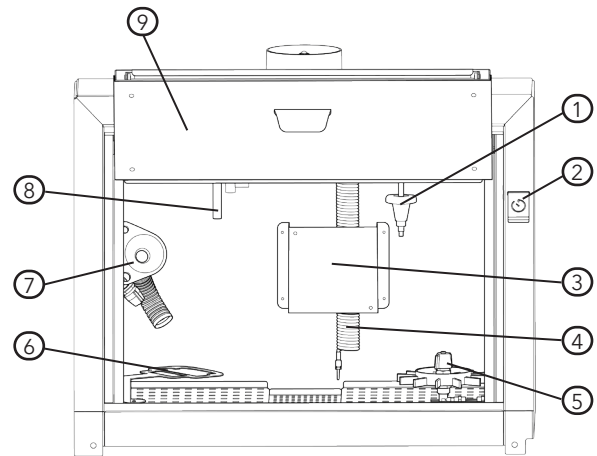


Portez des gants de protection



Portez un masque de protection

16. LAVAGE AUTOMATIQUE

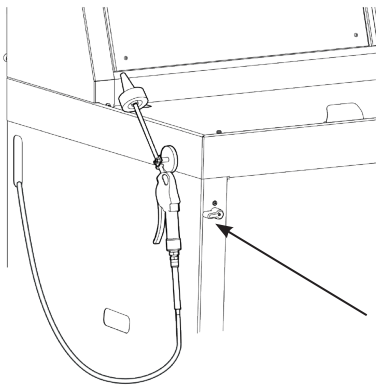


Article	Pièce
1	Buse pour canal de peinture
2	Bouton de minuterie (démarrer le pré-lavage)
3	Plaque pour clip de déclenchement
4	Conduite d'air
5	Porte-gobelet de peinture
6	Support de couvercle
7	Entonnoir

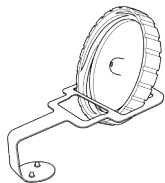
Article	Pièce
8	Buse de pulvérisation de solvant (uniquement pour le solvant)
9	Couvercle

Pour utiliser le laveur automatique :

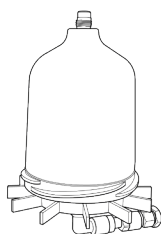
1. Nettoyez toute peinture résiduelle dans le pistolet (dans un récipient séparé).
2. Assurez-vous que la vanne principale de l'air comprimé est ouverte.




3. Ouvrez le couvercle (9) du laveur automatique.
4. Placez le couvercle du gobelet de peinture dans le support du couvercle (6).



5. Placez le gobelet de peinture sur le porte-gobelet de peinture (5).




6. Ajustez le clip de déclenchement en fonction des illustrations de la section **Ajustement du clip de déclenchement**.
7. Connectez le pistolet de pulvérisation à la conduite d'air à l'intérieur du laveur automatique (4).

8. Poussez le pistolet de pulvérisation contre la buse du canal de peinture (1).
9. Verrouillez le pistolet en position sur sa plaque (3) à l'aide des aimants du clip.
10. Fermez le couvercle.
11. Démarrez le cycle de prélavage automatique en appuyant sur le bouton de  la minuterie (2).

Le pistolet sera automatiquement nettoyé pendant environ 1,5 minute.

12. Une fois la procédure de nettoyage terminée, ouvrez le couvercle et retirez le pistolet.

Dans les unités adaptées à la peinture à base de solvant, lorsque le cycle de prélavage automatique est terminé, le pistolet peut être rincé avec un solvant propre provenant de la buse de pulvérisation de solvant (8).

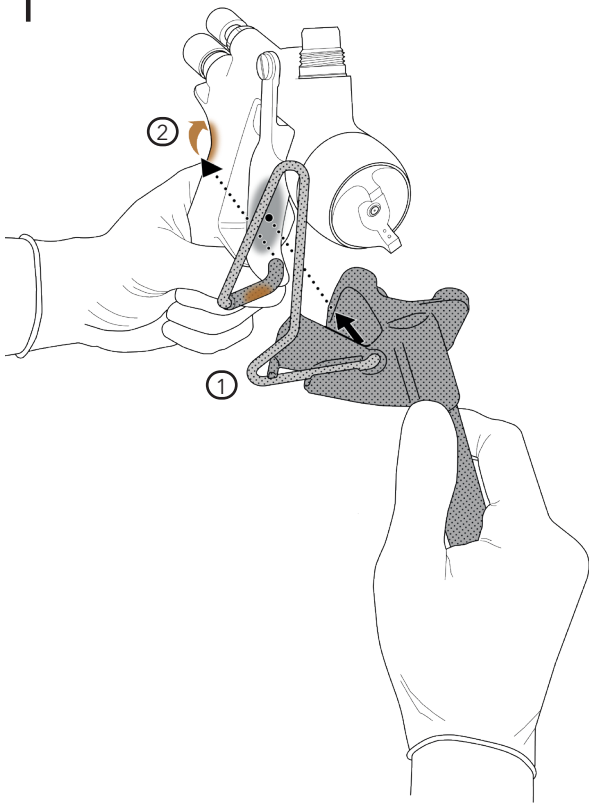
13. Pour les peintures à base de solvant : Appuyez sur la pédale pour activer la  pompe de rinçage. La pompe continue de fonctionner tant que la pédale est enfoncée. 2 à 3 coups de pompe suffiront pour un rinçage.

Si nécessaire, le pistolet nettoyé peut être rincé manuellement, voir **Lavage manuel pour la peinture à base de solvant** ou **Lavage manuel pour la peinture à base d'eau**.

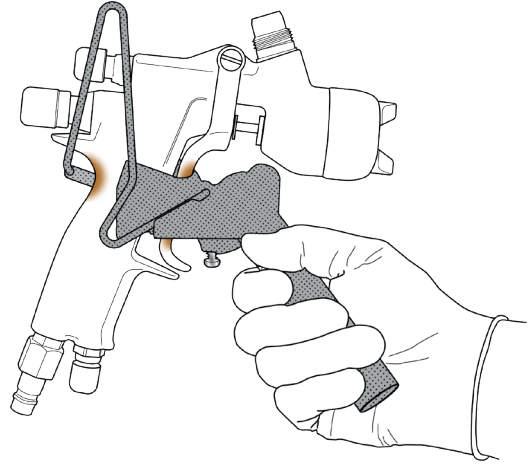
14. Raccordez le pistolet à la **conduite d'air** sur le côté droit de l'appareil et soufflez à travers l'entonnoir (7). Cet entonnoir limite la propagation des fumées.
15. Séchez le pistolet pulvérisateur avec le **pistolet à air comprimé**.
16. Fermez le couvercle après le nettoyage.

17. MONTAGE DU CLIP DE DÉCLENCEMENT

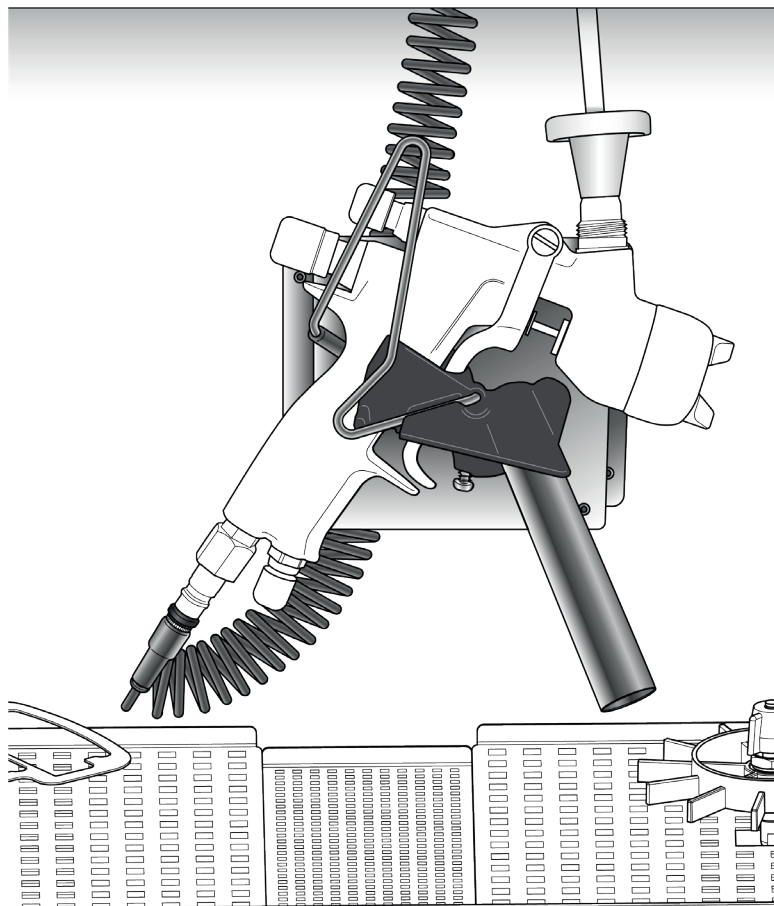
1



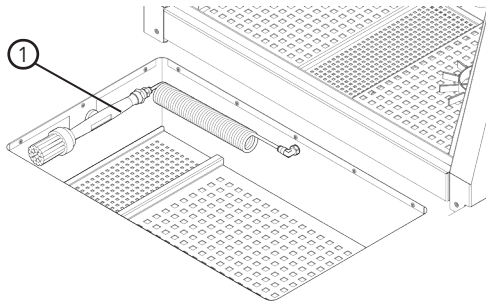
2



3

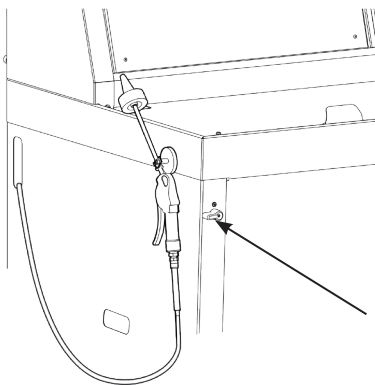


18. LAVAGE MANUEL POUR PEINTURE À BASE DE SOLVANT



Utiliser l'évier manuel pour la peinture à base de solvant :

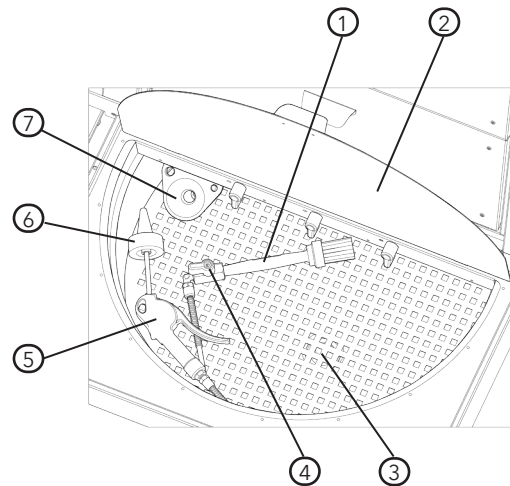
1. Nettoyez toute peinture résiduelle dans le pistolet (dans un récipient séparé).
2. Assurez-vous que la vanne principale de l'air comprimé est ouverte.



3. Ouvrez le couvercle.
4. En appuyant sur la pédale, le solvant recirculant sera introduit à travers la brosse (1) dans l'évier manuel.
5. Nettoyez le pistolet pulvérisateur avec la brosse.
6. Raccordez le pistolet à la **conduite d'air** sur le côté droit de l'appareil et soufflez à travers l'entonnoir du laveur automatique. Cet entonnoir limite la propagation des fumées.
7. Séchez le pistolet pulvérisateur avec le **pistolet à air** comprimé.
8. Fermez les deux couvercles après le nettoyage.

La brosse dans l'évier manuel peut être utilisée indépendamment du laveur automatique.

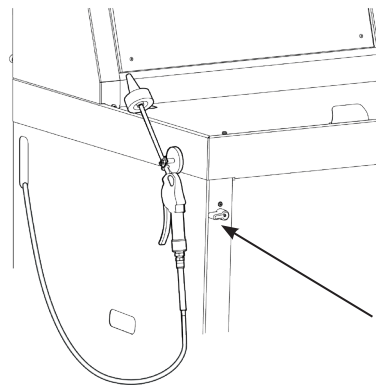
19. LAVAGE MANUEL POUR PEINTURE À BASE D'EAU




Article	Pièce
1	Brosse
2	Couvercle (facultatif)
3	Plateau de travail
4	Vanne à boisseau sphérique (position OUVERTE)
5	Pistolet de rinçage
6	Buse conique
7	Entonnoir

Utiliser l'évier manuel pour la peinture à base d'eau :

1. Nettoyez toute peinture résiduelle dans le pistolet (dans un récipient séparé).
2. Assurez-vous que la vanne principale de l'air comprimé est ouverte.



3. Ouvrez le couvercle (2, facultatif).

4. En appuyant sur la pédale, l'eau sera acheminée par la  brosse (1) dans l'évier manuel. **Remarque !** Le robinet à boisseau sphérique (4) de la brosse doit être **ouvert**.
5. Nettoyez le pistolet pulvérisateur avec la brosse.
6. Rincer le canal de peinture du pistolet à l'eau claire en pressant la buse conique (6) du pistolet de rinçage (5) contre le canal de peinture.
7. Rincez l'extérieur du pistolet avec **le pistolet de rinçage**. **Remarque :** Lors de l'utilisation du pistolet de rinçage, le robinet à boisseau sphérique de la brosse doit être **fermé**.
8. Raccordez le pistolet à la **conduite d'air** sur le côté droit de l'appareil et soufflez à travers l'entonnoir dans l'évier manuel (7). Cet entonnoir limite la propagation des fumées.
9. Séchez le pistolet pulvérisateur avec le **pistolet à air comprimé**.
10. Fermez le couvercle après le nettoyage.

La brosse et le pistolet de rinçage dans l'évier manuel peuvent être utilisés indépendamment du laveur automatique.

20. PROCÉDÉ DE COAGULATION


Le procédé de coagulation permet de réutiliser l'eau de nettoyage.



Remarque : Vérifiez auprès de l'autorité compétente si l'eau filtrée provenant du processus de coagulation peut être vidée dans le système d'évacuation des eaux ordinaires. Il peut être utile de s'informer auprès du fabricant de peinture.

Il y a trois vannes à l'intérieur de l'évier manuel pour la peinture à base d'eau, sur le mur arrière.

Remarque : Lorsqu'elles **sont verticales**, ces vannes sont **fermées**.

Les vannes sont marquées comme suit:

Symbole	Fonctionnalité
 En option	Agitateur/mélangeur Remue l'eau polluée avec de la peinture pour la mélanger à la poudre de coagulation. Le mélangeur est facultatif.

Symbole	Fonctionnalité
 En option	Pompe Démarre la pompe pour la sortie de vidange en option.
 En option	Vanne de vidange Ouvre une vanne pour que l'eau filtrée soit pompée vers un collecteur. Remarque ! La vanne sur la brosse doit être fermée .




Vider le récipient filtrant

Lorsque le niveau d'eau atteint la plateforme de travail, appliquez le procédé de coagulation.

1. Soulevez le panneau avant et fixez-le à ses supports.
2. Vérifiez que le récipient filtrant est vide. Sinon, videz le récipient de filtrat à la main.



- 1. En option :** Unités dotées d'un kit de robinet
2. Tournez le robinet  de vidange en position ouverte.

Tournez le robinet à boisseau sphérique de la brosse dans l'évier manuel en **position fermée** (point 4 de **la section Lavage manuel pour la peinture** à base d'eau).




3. Commencez la vidange en ouvrant la vanne de la pompe . La pompe va à présent évacuer complètement le récipient de filtration via le flexible d'évacuation dans le système habituel d'évacuation d'eau.
4. Lorsque la pompe commence à fonctionner plus rapidement, le récipient de filtrat est vide. Fermez la vanne de la pompe ainsi que de la vidange ( et ).

Coagulation

Remarque : Le procédé de coagulation doit former de grandes quantités de peinture coagulée. Sinon, les filtres seront obstrués et ne pourront pas être réutilisés.

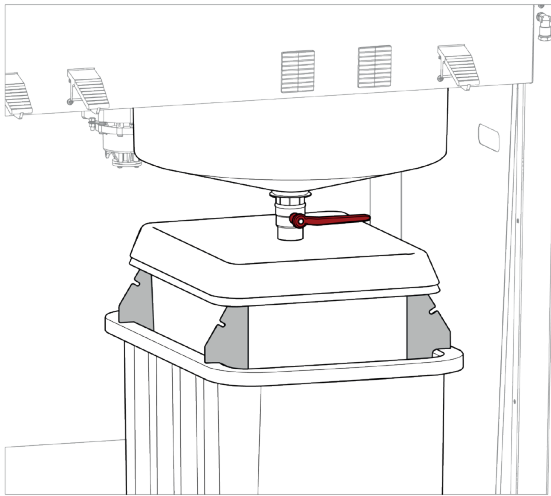
1. Retirez la plateforme de travail (point 3 de la section **Lavage manuel de la peinture à base d'eau**).
2. Ouvrez la vanne de l'agitateur  d'eau (ou du mélangeur  en option).
3. Ajoutez le coagulant, selon les recommandations du fabricant de peinture.
4. Mélangez la poudre avec un bâton pendant un moment pour éviter qu'elle ne coule au fond en grumeaux.

Drester ACE

1. Laissez l'agitateur  fonctionner pendant quelques minutes.
2. Arrêtez l'agitateur de temps en temps pendant environ 30 secondes pour optimiser le processus. Le temps total de coagulation est de 3 à 4 minutes.
3. Fermez la vanne de l'agitateur  (ou mélangeur ).

Filtration

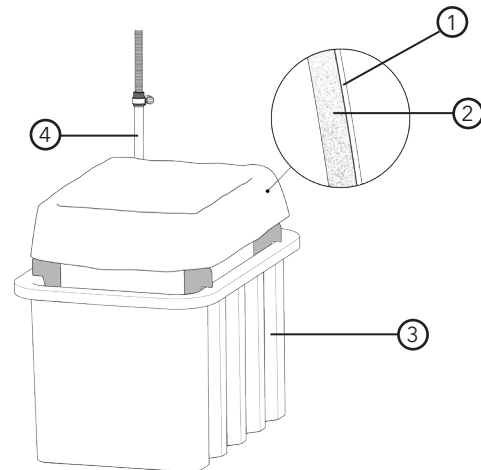
1. Ouvrez la vanne de vidange au bas de l'évier manuel et vidangez complètement l'évier dans le filtre.



2. Nettoyez soigneusement l'intérieur de l'évier manuel avec la brosse (avec de l'eau recyclée). Tous les restes de trousseaux résiduels doivent être complètement drainés dans le filtre.
3. Fermez le robinet de vidange.

21. REMPLACEMENT DES FILTRES

Remarque : N'utilisez que des filtres principaux et des préfiltres DRESTER d'origine, car ils sont approuvés par les fabricants de peinture.



Article	Pièce
1	Préfiltre
2	Filtre principal
3	Récipient du filtrat
4	Crépine sur flexible d'aspiration

Le préfiltre (1) récupère la plupart des matières coagulées, tandis que le filtre principal (2) récupère les particules de peinture les plus fines.

Enlevez les résidus de peinture du préfiltre. Une fois les résidus de peinture complètement secs, ils sont faciles à enlever. Si les résidus de peinture sont éliminés après chaque processus de coagulation, le préfiltre peut être réutilisé jusqu'à 10 fois.

Petit à petit, le filtre principal sera obstrué par les particules de peinture plus fines. En général, le filtre principal peut être utilisé pour jusqu'à 5 cycles de coagulation. Cependant, le filtre principal doit être remplacé chaque mois, ou tous les 2 mois pour empêcher la prolifération bactérienne.

Remarque : Les résidus de peinture de coagulation doivent être manipulés conformément aux règlements de l'autorité compétente. Il peut être utile de s'informer auprès du fabricant de peinture.

22. CONSOMMABLES

Les unités adaptées à la peinture à base d'eau, c'est-à-dire DRESTER ACE DG2A/DI2A, DG2C/DI2C, DG3C/DI3C et DG4C/DI4C, peuvent être livrées avec le filtre

principal, le préfiltre, le solvant à base d'eau DRESTER AQUASOLVE et la POUDRE DE FLOCCULATION DRESTER. Tous les consommables peuvent être commandés auprès de votre représentant local ou de Hedson Technologies.

23. ENTRETIEN

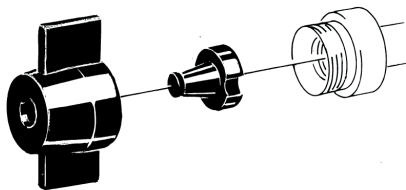
Chaque semaine

- Retirez les crépines au bas des laveurs automatiques et nettoyez-les.

Remarque ! N'oubliez pas de renouveler votre équipement !

Chaque mois

- Retirez les cinq buses de chaque laveur automatique et nettoyez-les avec un solvant propre.



- Remplacez complètement l'eau.
- Changez le filtre principal.

Lors du remplacement des fûts

- Vérifiez et, si nécessaire, nettoyez les crépines sur les flexibles d'aspiration.

Lors du remplacement du filtre

- Vérifiez et, si nécessaire, nettoyez la crépine du flexible d'aspiration (point 4 de **la section Remplacement des filtres**).
- Retirez le récipient de filtrat (3) et videz-le complètement. Rincez-le à l'eau et essuyez-le avec un chiffon ou du papier.

24. FIN DE VIE

Le recyclage doit toujours être effectué conformément aux lois et réglementations locales.

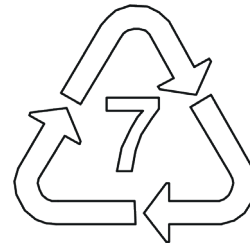
Les unités DRESTER ACE sont construites pour être entièrement recyclées. Les unités sont constituées de pièces en tôle, en laiton et en plastique.

Tôle et laiton

Toutes les pièces en tôle et en laiton peuvent être mises au rebut pour un recyclage ultérieur.

Plastique

Toutes les pièces en plastique ont été marquées d'un code d'identification de résine en forme de triangle et d'un code. Toutes les pièces en plastique doivent être recyclées conformément à leur marquage.



25. PROTOCOLE D'INSTALLATION

Révision...	Date	Signature
Modèle Drester ACE : <input type="checkbox"/> DG2A/DI2A <input type="checkbox"/> DG2S/DI2S <input type="checkbox"/> DG4S/DI4S <input type="checkbox"/> DG2C/DI2C <input type="checkbox"/> DG3C/DI3C <input type="checkbox"/> DG4C/DI4C		
Des mesures sont en place pour éviter les dangers de déversements accidentels ou de fuites.		
L'installation est effectuée conformément aux réglementations et directives applicables aux emplacements dangereux.		
L'unité est mise à la terre conformément aux règlements et directives applicables aux emplacements dangereux.		
L'unité est correctement ventilée et cette ventilation est mise à la terre conformément aux règlements et directives applicables aux emplacements dangereux.		
L'appareil ne présente aucune fuite au niveau des éléments suivants : <input type="checkbox"/> Alimentation en air <input type="checkbox"/> Conduites d'air <input type="checkbox"/> Flexibles pour liquide		
Toutes les fonctions de l'unité: <input type="checkbox"/> pédale(s) <input type="checkbox"/> Brosse(s) <input type="checkbox"/> Pistolet à air comprimé <input type="checkbox"/> Buse <input type="checkbox"/> Bouton de minuterie		
Ce manuel accompagne l'appareil.		
Air comprimé		
L'air comprimé est sec et exempt d'huile conformément à la norme ISO 8573-1, classe 3.4.3, ou mieux.		
Les conduites d'air comprimé et les accouplements sont correctement dimensionnés.		
Pour les unités adaptées au nettoyage de la peinture à base d'eau		
Arrivée d'eau A/B A. L'arrivée d'eau est raccordée à l'appareil, ou B. L'unité est configurée pour être utilisée avec de l'eau de filtrat de recirculation, comme décrit dans le présent manuel.		
Un flexible de vidange est acheminé de l'unité vers un collecteur. O/N		
Tous les filtres pour le procédé de coagulation sont installés comme décrit dans ce manuel.		

26. DÉPANNAGE

Si des problèmes persistent après le dépannage, contactez un technicien de service.

Pour plus d'informations sur les unités DRESTER ACE, consultez les documents suivants :

- Liste des pièces de rechange (pour tous les modèles)
- Circuit pneumatique (pour chaque modèle)
- Circuit de fluide (pour chaque modèle)

Problème	Cause	Que faire ?
Débit limité ou nul pendant le cycle de pré-lavage.	Crépine sur flexible d'aspiration bloqué.	Nettoyez ou remplacez.
	Le flexible d'aspiration n'aspire pas le solvant.	Vérifiez que le flexible d'aspiration ne présente pas de fuites. Vérifiez si le fût de solvant est vide.
	Buses de pulvérisation dans le laveur automatique bloquées.	Retirez et nettoyez les buses.
	Les clapets anti-retour dans la pompe sont bloqués ou ne sont pas étanches.	Retirez les connecteurs de la pompe, nettoyez les vannes et enlevez tout élément bloquant.
La pompe ne s'arrête pas après 1,5 minute.	Unité de fuite d'air de minuterie bloquée.	Pour le remplacement, contactez un technicien de service.
	Démarrer la vanne qui fuit continuellement.	Pour le remplacement, contactez un technicien de service.
La pompe de pré-lavage ne fonctionne pas.	Vérifiez la pression d'air et le flexible d'alimentation.	Assurez-vous que l'alimentation en air de l'unité est conforme aux données techniques.
	Vérifiez le fonctionnement de la vanne de démarrage.	Pour le remplacement, contactez un technicien de service.
	Le bras du couvercle n'atteint pas la soupape de sécurité.	Réglez la position du bras du couvercle.
	La soupape de sécurité ne fonctionne pas.	Pour le remplacement, contactez un technicien de service.
La ventilation ne s'enclenche pas lorsque le couvercle est ouvert.	La soupape de sécurité ne fonctionne pas.	Pour le remplacement, contactez un technicien de service.
	Le bras du couvercle n'atteint pas la soupape de sécurité.	Réglez la position du bras du couvercle.
La buse de pulvérisation manuelle dans le laveur automatique ne fonctionne pas lorsque la pédale est enfoncée.	La soupape de sécurité ne fonctionne pas.	Vérifiez le fonctionnement de la pédale et de la valve. Pour le remplacement, contactez un technicien de service.

Drester ACE

Problème	Cause	Que faire ?
La buse de pulvérisation manuelle ne pulvérise pas de solvant.	Le flexible d'aspiration de 6 mm n'aspire pas le solvant.	Vérifiez que le flexible d'aspiration descend dans le fût de solvant.
	Buse bloquée par des débris.	Retirez le flexible d'aspiration de 6 mm du fût et utilisez un pistolet à air comprimé pour rincer la buse de rinçage.
L'extraction ne fonctionne pas correctement.	Conduite d'air, alimentation en air ou pression d'air limitée.	Assurez-vous que l'alimentation en air de l'unité est conforme aux données techniques.
	Buse de ventilation bloquée, par exemple par l'accumulation de peinture.	Pour le remplacement, contactez un technicien de service.

1. ALCANCE DE ESTE DOCUMENTO

Este documento es válido para los siguientes limpiadores de pistolas pulverizadoras DRESTER:

- DRESTER ACE Double Aqua (DG2A/DI2A)
- DRESTER ACE Double Solvent (DG2S/DI2S)
- DRESTER ACE Quattro Solvent (DG4S/DI4S)
- DRESTER ACE Double Combo (DG2C/DI2C)
- DRESTER ACE Triple Combo (DG3C/DI3C)
- DRESTER ACE Quattro Combo (DG4C/DI4C)

Double/Triple/Quattro = 2/3/4 áreas de lavado en la unidad.

Denominación del modelo que termina con una A = La unidad está pensada para pintura a base de agua (Aqua).

Denominación del modelo que termina con una B = La unidad está pensada para pintura a base de disolvente (Solvent).

Denominación del modelo que termina con una C = La unidad está pensada tanto para pintura a base de agua como a base de disolvente (Combo).

Salvo que se indique lo contrario, todas las instrucciones son válidas para todos los modelos.

2. INFORMACIÓN DE SEGURIDAD

El uso inadecuado de los limpiadores de pistolas pulverizadoras DRESTER puede ser peligroso.

La elección o manipulación indebida de los bidones o del disolvente también pueden acarrear peligros.

Para mantener el alto estándar de seguridad de la unidad, siga al pie de la letra las instrucciones que se indican a continuación.

- Lea y asegúrese de entender por completo toda la información contenida en este manual.
- Guarde este manual cerca de la unidad. Asegúrese de que esté en condiciones de legibilidad.
- Asegúrese de que cada usuario sepa dónde encontrar el manual.
- Las posibles instrucciones de funcionamiento que se elaboren deben basarse en este manual y estar escritas en el idioma que hable el usuario.
- Instale su unidad solo como se describe en este manual.
- Utilice su unidad solo como se describe en este manual.

- Mantenga su unidad solo como se describe en este manual.
- Utilice únicamente piezas de repuesto originales.
- No modifique la unidad de ninguna manera.
- No opere la unidad a menos que esté adecuadamente ventilada mediante una extracción de vapores suficiente.
- Evite el contacto con líquidos y vapores. Consulte la FDS (Ficha de datos de seguridad) de los disolventes.
- Utilice el equipo de protección correcto:
 - » Gafas de protección contra productos químicos para protegerse los ojos.
 - » Guantes resistentes a productos químicos para evitar todo posible contacto con la piel.
 - » Ropa protectora resistente a productos químicos para protegerse de salpicaduras o derrames.



Utilice protección ocular



Utilice guantes de protección



Utilice una máscara protectora

- Las personas que padezcan problemas respiratorios o alergias a los disolventes utilizados no deben utilizar la unidad.
- Limpie los derrames inmediatamente.
- Para evitar fugas accidentales y derrames de los bidones, asegúrese de que se hayan adoptado las medidas adecuadas.
- No fume, coma ni beba cerca de la unidad.



El fuego, las llamas desnudas y fumar están terminantemente prohibidos

- Una válvula de seguridad interrumpirá el ciclo de lavado automático si se abre la tapa antes de que se haya completado el ciclo de lavado. En caso de un funcionamiento incorrecto, o de presunto funcionamiento incorrecto, de la válvula de seguridad, la unidad **no debe** utilizarse hasta que se haya reparado la válvula de seguridad.
- Las pistolas pulverizadoras o cualquier otro equipo de pintura que se limpie en la unidad deben ser

Drester ACE

- adecuados para su limpieza en un área Zona 1 (según la Directiva 1999/92/CE) en caso de que la unidad se utilice con disolventes inflamables.
- La unidad debe estar debidamente conectada a tierra de conformidad con la normativa local aplicable.
- Para evitar la descarga accidental de electricidad estática, asegúrese de que se hayan adoptado las medidas adecuadas, de acuerdo con la normativa local.

3. FINALIDAD

Esta unidad está destinada a la limpieza de pistolas pulverizadoras de aire con depósitos de pintura alimentados por gravedad que se han utilizado para pintar. Las pistolas pulverizadoras se pueden limpiar con disolvente (todos excepto DG2A/DI2A) o agua.

En función del modelo, las unidades DRESTER ACE están equipadas con uno o dos lavadores automáticos para pistolas pulverizadoras con depósitos de pintura alimentados por gravedad, y uno o dos lavaderos manuales.

Lavadores automáticos

Los lavadores automáticos se utilizan con disolventes de base diluyente, disolventes a base de agua o agua (en función del modelo).

Lavaderos manuales

Los lavaderos manuales sirven para limpiar las herramientas utilizadas en trabajos de pintura de vehículos, como pistolas pulverizadoras con depósitos de pintura alimentados por succión, espátulas y brochas.

Utilice disolventes de base diluyente, disolventes a base de agua o agua (en función del modelo).

Queda terminantemente prohibido cualquier otro uso de la unidad.

4. DATOS TÉCNICOS

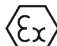
Fabricante	HEDSON TECHNOLOGIES AB Hammarvägen 4 SE-232 37 Arlöv, Suecia
Tel.	+46 40 53 42 00
Tipo de unidad	DRESTER ACE

Peso, kg (lb)	
DG2A/DI2A	80 (176)
DG2S/DI2S	80 (176)
DG4S/DI4S	100 (220)
DG2C/DI2C	80 (176)
DG3C/DI3C	90 (140)
DG4C/DI4C	100 (220)
Ancho, mm (pulg.)	
DG2A/DI2A	840 (33,07)
DG2S/DI2S	840 (33,07)
DG4S/DI4S	1190 (46,85)
DG2C/DI2C	840 (33,07)
DG3C/DI3C	1190 (46,85)
DG4C/DI4C	1190 (46,85)
Todos los modelos	
Altura, mm (pulg.)	1488 (58,58)
Profundidad máx., mm (pulg.)	675 (26,57)
Profundidad en el suelo, mm (pulg.)	621 (24,45)
Diámetro del extractor, mm (pulg.)	100 (3,94)
Aire comprimido requerido, bares (psi)	7-12 (110-180)
Requisito de extracción m ³ /h (cfm)	360 (212)
Nivel de presión acústica, db(A)	< 70 db(A)
Volumen máx. de disolvente/a base de agua, litros	30+30
Tamaño máximo del bidón, litros	60
Capacidad de la bomba, litros/minuto	10
Presión del disolvente, bares (psi)	2 (30)

5. UBICACIÓN DE LA UNIDAD

Las unidades DRESTER ACE son equipos de categoría 2 (consulte la Directiva ATEX 2014/34/UE) y por ello pueden colocarse en ubicaciones clasificadas como Zona 1 (consulte la Directiva ATEX 1999/92 CE).

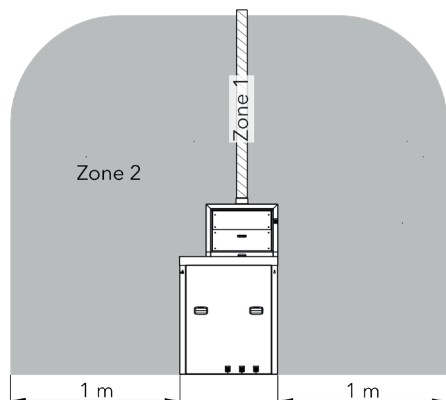
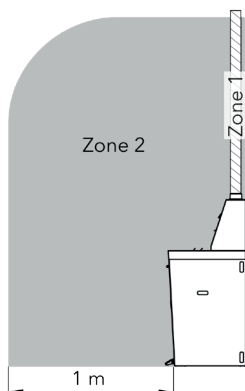
Las unidades Drester Ace están marcadas como:

CE  E II 2 G

Ex h IIB T6 Ga Tamb 0 °C a +45 °C

Si una unidad DRESTER ACE se instala en lugares clasificados como Zona 2 o en lugares no clasificados, lo que se indica a continuación es válido siempre que la ventilación de la unidad se instale tal como se describe en este manual:

- El espacio alrededor de 1 m de la unidad DRESTER ACE debe estar clasificado como Zona 2 y el interior de los conductos como Zona 1.
- La extensión del área clasificada puede reducirse mediante ventilación.



- Dentro de las áreas clasificadas, todos los equipos, como, por ejemplo, los utensilios eléctricos, deben ser aprobados para las zonas descritas.



¡Advertencia!

- Los equipos que generen llamas desnudas o chispas (por ejemplo, los equipos de soldadura o pulido) **no** pueden utilizarse en esta área.



¡Advertencia!

- **No** está permitido fumar.

En caso de duda, póngase en contacto con las autoridades locales para obtener asesoramiento.

¡Nota!

Este manual forma parte de la unidad y debe estar disponible en todo momento.

6. DISOLVENTES PERMITIDOS



¡Advertencia!

- **Nunca** utilice disolventes que no tengan una FDS (Ficha de datos de seguridad). Lea atentamente la FDS y siga todas las instrucciones y procedimientos. Si necesita información adicional acerca del disolvente, póngase en contacto con su proveedor de disolventes.
- **Nunca** añada otros productos químicos al disolvente.

Información general

¡Nota! Compruebe la normativa local relacionada con el volumen máximo de disolventes permitido almacenados en la unidad.

Todos los disolventes deben tener un pH con valores entre 4 y 10. **No** mezcle disolventes a base de agua con disolventes de base diluyente.

¡Nota! Se debe informar a todos los usuarios sobre qué disolvente se está utilizando en todo momento.

Disolventes aprobados del Grupo IIA

Se pueden utilizar disolventes y mezclas de disolventes destinados a la limpieza de pistolas pulverizadoras clasificados dentro del **Grupo IIA** según la norma EN 60079-20-1, tales como acetona, tolueno, isobutanol o xileno.

En el lavador automático y en el lavadero manual, también se pueden utilizar agua o disolventes a base de agua para la pintura a base de disolvente.

Disolventes aprobados del Grupo IIB

Además de los disolventes clasificados dentro del Grupo IIA, los disolventes clasificados dentro del **Grupo IIB** están aprobados para su uso en limpiadores de pistolas pulverizadoras DRESTER ACE siempre que concurren las siguientes condiciones:

- Un valor MESH (*Maximum Experimental Safe Gap*, Brecha máxima experimental segura) superior a 0,8 mm, y/o
- Una relación MIC (*Minimum Igniting Current*, corriente mínima de ignición) superior a 0,7.
- El volumen de disolvente **no** supera el 70 % de la mezcla de disolvente utilizada en el limpiador de pistolas pulverizadoras.

Para cualquier pregunta, póngase en contacto con Hedson Technologies.

Lavadero manual para pintura a base de agua

En el lavadero manual para pintura a base de agua solo se puede usar agua.

7. BIDONES DE DISOLVENTE PERMITIDOS

Independientemente del tipo, todos los bidones empleados en las unidades DRESTER ACE deben:

- encajar en la unidad.
- estar libres de fugas.
- estar hechos de material conductor.

¡Nota! Compruebe la normativa local relacionada con el volumen máximo de disolvente permitido dentro de la unidad.

¡Nota! Hedson Technologies no suministra bidones de disolvente. Hedson Technologies no asume ninguna responsabilidad por los bidones utilizados. Siga atentamente las instrucciones proporcionadas por el proveedor de disolventes.

8. BANDEJA DE RECOGIDA

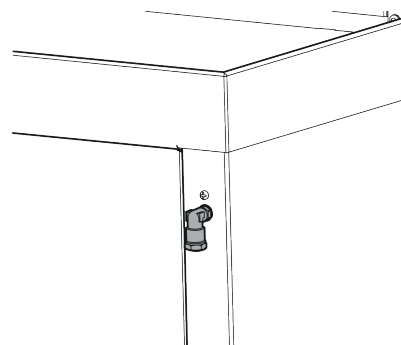
Instale la unidad de manera que cualquier fuga accidental de disolvente o agua contaminada no se propague a ninguna red de alcantarillado. Para ello:

- Instale la unidad en un lugar en el que tanto el suelo como las paredes puedan contener cualquier fuga accidental del bidón, o
- Coloque la unidad con una bandeja de recogida colocada debajo del bidón de disolvente y el recipiente de agua. La bandeja de recogida debe ser lo suficientemente grande como para contener el volumen de al menos un bidón con fugas.

9. MONTAJE

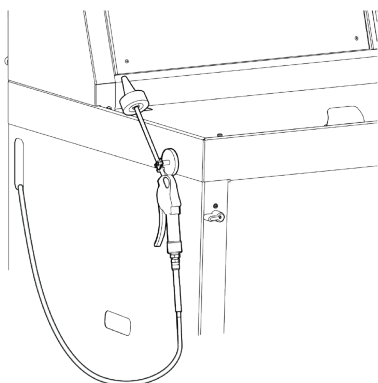
Para montar la unidad:

1. Verifique el material de embalaje para ver si hay daños producidos durante el transporte.
2. Retire el material de embalaje y compruebe que la unidad no haya sufrido ningún daño durante el transporte. Si es así, comuníquese inmediatamente a la compañía de transporte.
3. Conecte un acoplamiento rápido a la **línea de aire** en el lado derecho de la unidad.



Esta línea de aire se utiliza para expulsar restos contenidos en la pistola pulverizadora tras el proceso de limpieza.

4. Durante el transporte, la **pistola de aire** de la unidad está colocada dentro de la unidad. Retírela y fíjela con su imán en un lugar adecuado.



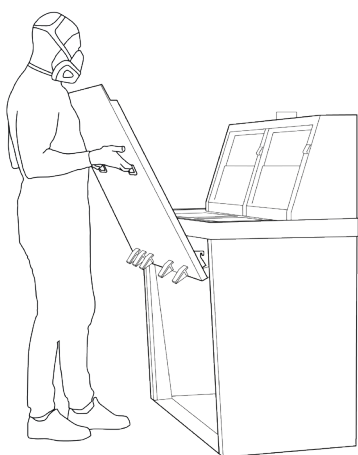
Esta pistola de aire se utiliza para secar la pistola pulverizadora tras el proceso de limpieza.

10. INSTALACIÓN Y CONEXIÓN

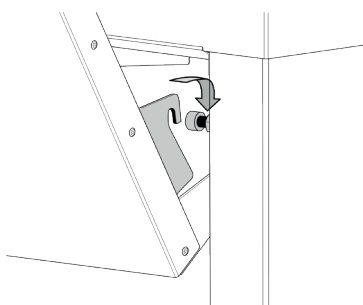
Subida y bajada del panel frontal

Para subir el panel frontal:

1. Levante el panel frontal hacia afuera y hacia arriba.



2. Levántelo de manera uniforme y asegúrelo en sus soportes.



Para bajar el panel frontal, levántelo ligeramente para liberar sus ganchos, inclínalo hacia afuera y bájelo.

Extracción del panel frontal

Para extraer el panel frontal:

1. Levante el panel hacia afuera.
2. Incline el panel hacia un lado.

Esto libera los rodillos de los carriles de rodillos derecho/izquierdo.

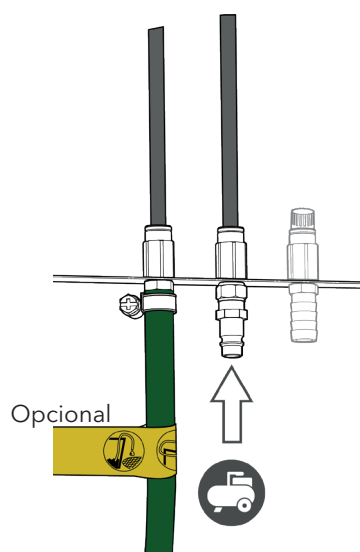
Aire comprimido

Para prevenir caídas de presión, la línea de aire y los acoplamientos deben tener unas dimensionados adecuadas. El regulador de esta unidad está preconfigurado en 6,5 bares (100 psi). **No** debe modificarse esta configuración.

Es necesario conectar la unidad a un suministro de aire comprimido de 7-12 bares (110-180 psi). Mientras se esté utilizando, la unidad consume 150 litros/minuto (6 cfm) de aire. Sin embargo, cuando la ventilación incorporada está en funcionamiento, la unidad consume 450 litros/minuto (16 cfm).

El aire comprimido debe estar limpio y seco de conformidad con la norma ISO 8573-1, Clase 3.4.3 o superior. Cualquier contaminación que haya en el aire comprimido invalidará cualquier reclamación dentro de la garantía.

Conecte el suministro de aire al racor de 1/4". La línea de aire puede dirigirse a este punto a través de las ranuras situadas en el lateral de la unidad o a través de la parte trasera de la unidad.



¡Nota!

Asegúrese de que la manguera de suministro de aire no interfiera con los componentes neumáticos de la unidad.

Toma de tierra de la unidad



¡Advertencia!

- La unidad debe estar correctamente conectada a tierra para evitar descargas electrostáticas.

Conecte a tierra la unidad correctamente utilizando el cable de conexión a tierra amarillo-verde. Conecte el cable de conexión a tierra a un circuito de tierra adecuado de conformidad con la normativa local.



Ventilación y Capture@Source

Las unidades DRESTER ACE utilizan la extracción de alta velocidad Capture@Source de Hedson para capturar las emisiones nocivas cerca de su origen, minimizando así la exposición del usuario y la pérdida de disolventes. Las discretas rejillas de ventilación de Capture@Source de Hedson ayudan a mantener el espacio de trabajo abierto y fácilmente accesible.

La unidad se puede ventilar de dos formas. Para ambas opciones, la velocidad del caudal de aire en la abertura de la campana debe cumplir con las leyes y normativas locales.



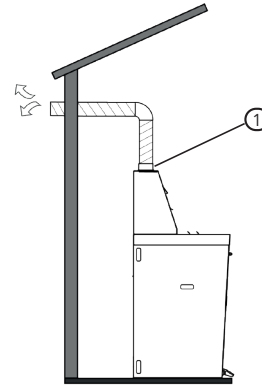
¡Advertencia!

- La ventilación debe estar conectada de manera que **todas** las piezas estén conectadas a tierra.

Opción 1: Si utiliza la boquilla de ventilación incorporada, conecte la brida de la campana (1) a un sistema de ventilación aprobado para la Zona 1.

Opción 2: Conecte la campana a un ventilador eléctrico aprobado para ATEX mediante un conducto metálico. El tubo de escape del ventilador debe tener una salida al exterior. Cuando se utilice un sistema de ventilación central, se puede desconectar el extractor neumático incorporado para reducir el consumo de aire

comprimido. (Consulte las instrucciones independientes de la bolsa de accesorios con tapón rojo de 6 mm)



11. PREPARATIVOS PARA EL USO



Utilice protección ocular



Utilice guantes de protección



Utilice una máscara protectora

Para todos los preparativos, levante el panel frontal y asegúrelo a sus soportes, consulte **Instalación y conexión/Subida y bajada del panel frontal**.

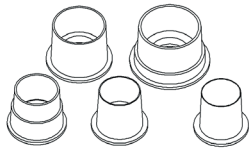
Disolvente

Se necesitan dos bidones de disolvente, uno vacío y otro completamente lleno de disolvente. Estos:

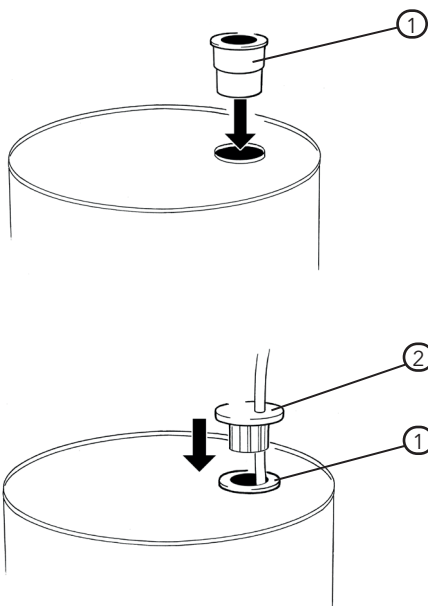
- deben tener el mismo tamaño.
- deben cumplir los requisitos descritos en **Bidones de disolvente permitidos**.
- deben estar limpios por dentro.
- **no deben** contener ningún sólido ni ningún otro objeto que pueda ser aspirado por las bombas durante su funcionamiento.

Adaptadores de bidones

Las cajas con una selección de adaptadores cónicos se incluyen con la unidad.



Seleccione un adaptador que encaje bien en la abertura de los bidones (1) y coloque el tapón del bidón con mangueras (2).

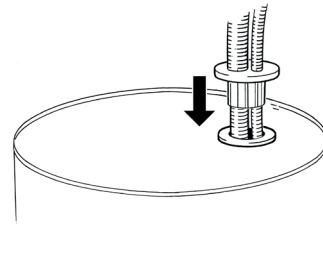


Relleno de disolvente

Utilice un bidón vacío y otro del mismo tamaño lleno de disolvente limpio.

¡Nota! Asegúrese de que todas las mangueras se dirijan adecuadamente dentro del bidón por completo llegando al fondo y de que la abertura está bien sellada mediante el tapón cónico.

1. Coloque el bidón vacío a la izquierda dentro de la unidad. Introduzca el conjunto de mangueras que contiene la manguera de desagüe desde el lavadero manual en este bidón.



2. Vierta la mitad del contenido del bidón lleno directamente en el lavadero manual del limpiador de pistolas pulverizadoras. Este disolvente se desaguará en el bidón debajo del lavadero. **¡Nota!** La ventilación debe estar en marcha durante este procedimiento.
3. Coloque el bidón ahora medio lleno en el suelo de la unidad, a la derecha del primer bidón. Introduzca el segundo conjunto de mangueras (que contiene una manguera **blanca**) en este bidón.

El sistema de disolvente está lleno. Ambos bidones deberán estar llenos hasta la mitad. El bidón de la izquierda contiene el disolvente que recirculará para el ciclo de prelavado automático. El bidón de la derecha contiene disolvente limpio para el aclarado. El contenido del bidón de la derecha se irá utilizando progresivamente y se transferirá al bidón izquierdo.

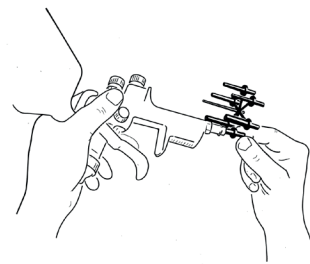
Disolvente actual

¡Nota! Se debe informar a todos los usuarios sobre qué disolvente se está utilizando en todo momento.

Preparación de la línea de aire en el lavador automático

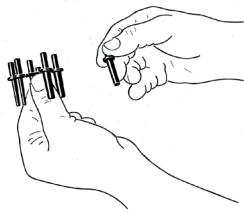
Esta unidad se entrega con un conjunto de tapones cónicos para la línea de aire.

1. Seleccione el tapón que mejor encaje en la entrada de aire de la pistola pulverizadora.

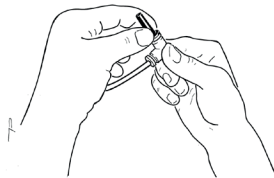


Drester ACE

1. Quite el tapón.

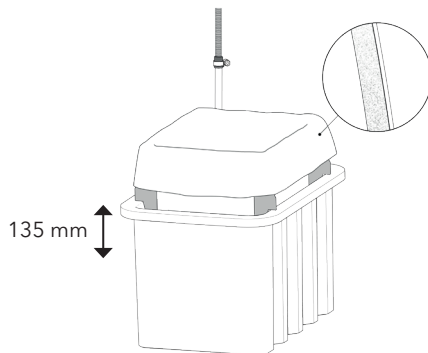


2. Colóquelo en la línea de aire.



Llenado de agua

Llene el recipiente de filtrado hasta 135 mm por debajo de su borde superior con agua limpia.



12. CODIFICACIÓN DE COLORES

Las mangueras para disolventes o agua en las unidades DRESTER ACE son negras o blancas, como se indica a continuación:

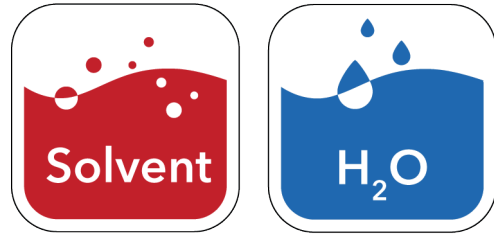
Color de la manguera	Disolvente o agua
Blanco	Limpio
Negro	En recirculación

Marcado de las mangueras

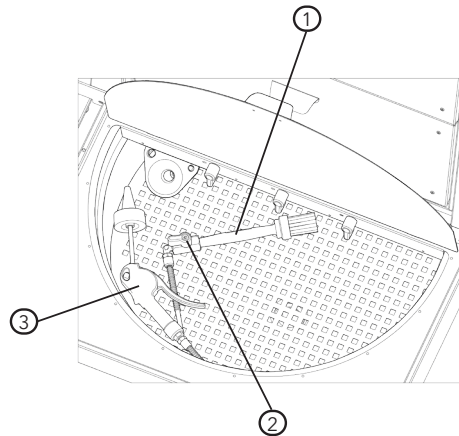
Las mangueras están marcadas en **rojo** para disolvente o en **azul** para agua o AQUASOLVE.

Marcado del área de lavado

Las áreas de lavado están marcadas con una etiqueta **roja** para disolvente o una etiqueta **azul** para agua o AQUASOLVE.



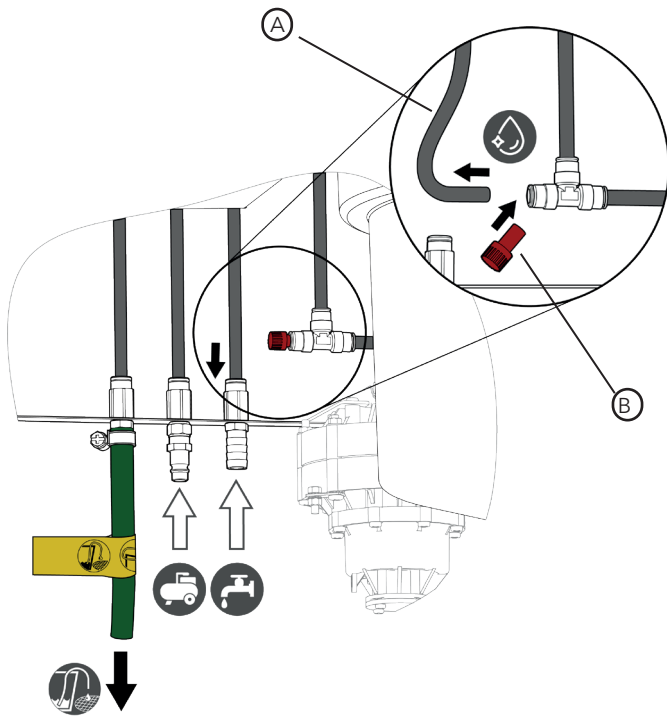
13. CONFIGURACIÓN CON CONEXIÓN DE AGUA DEL GRIFO



Elemento	Pieza
1	Cepillo
2	Válvula esférica (posición ABIERTA)
3	Pistola de aclarado

Las unidades adecuadas para pintura a base de agua se pueden usar con agua del grifo si está disponible en las instalaciones. En este caso, el agua del grifo se utiliza para la pistola de aclarado (3)

14. FUNCIONAMIENTO CON CONEXIÓN DE AGUA DEL GRIFO



Elemento	Pieza
A	Manguera de la pistola de aclarado
B	Tapón rojo

Símbolo	Función
	Desagüe (opcional)
	Línea de aire
	Entrada de agua del grifo
	Agua en recirculación

Para operar la unidad con una conexión de agua del grifo, redirija la unidad como se indica a continuación:

1. Desconecte la manguera azul de 6 mm de la pistola de aclarado (A) de la pieza en forma de T y conéctela al conector de entrada de agua del grifo.

2. Coloque el tapón rojo (B) en la unión transversal para tapar el orificio.

La pistola de aclarado del lavadero manual ahora funcionará con agua del grifo.

15. PREPARATIVOS PARA EL FUNCIONAMIENTO

Cuando opere la unidad, utilice siempre el equipo de protección adecuado. Utilice protección ocular, guantes de protección y una máscara protectora.



Utilice protección ocular

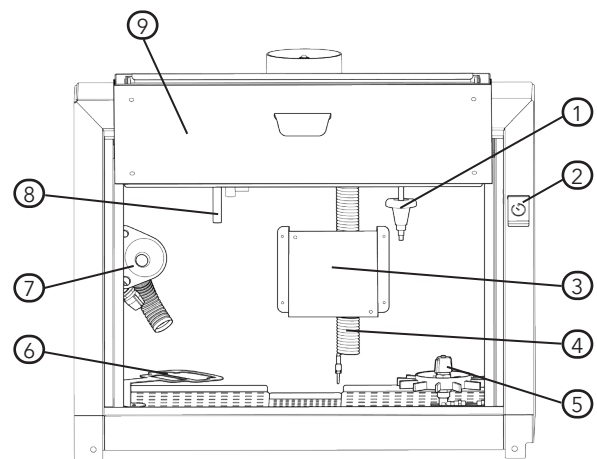


Utilice guantes de protección



Utilice una máscara protectora

16. LAVADO AUTOMÁTICO

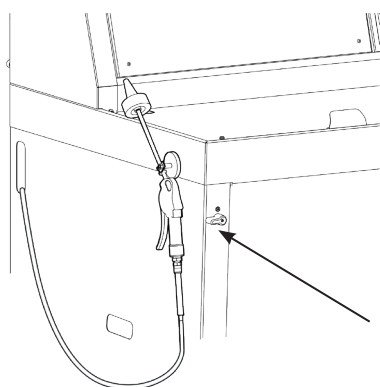


Elemento	Pieza
1	Boquilla para canal de pintura
2	Botón de temporizador (iniciar el prelavado)
3	Placa para el gancho del gatillo
4	Línea de aire
5	Soporte para depósito de pintura
6	Soporte de la tapa

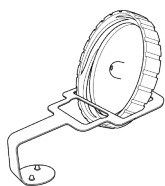
Elemento	Pieza
7	Embudo
8	Boquilla de pulverización de disolvente (solo para disolvente)
9	Tapa

Para usar el lavador automático:

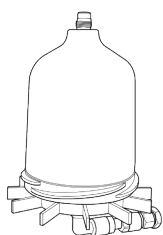
1. Vacíe todos los restos de pintura de la pistola pulverizadora en un recipiente para vertidos.
2. Asegúrese de que la válvula principal de aire comprimido esté abierta.




3. Abra la tapa (9) del lavador automático.
4. Coloque la tapa del depósito de pintura en el soporte de la tapa (6).



5. Coloque el depósito de pintura en el soporte del depósito de pintura (5).



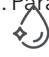
6. Coloque el gancho del gatillo de acuerdo con las ilustraciones de **Colocación del gancho del gatillo**.

7. Conecte la pistola pulverizadora a la línea de aire dentro del lavador automático (4).
8. Empuje la pistola pulverizadora contra la boquilla del canal de pintura (1).
9. Fije la pistola pulverizadora en su posición en la placa (3) con los imanes del gancho del gatillo.
10. Cierre la tapa.
11. Inicie el ciclo de prelavado automático pulsando el botón del temporizador  (2).

La pistola pulverizadora se limpiará automáticamente durante aprox. 1,5 minutos.

12. Una vez completado el procedimiento de limpieza, abra la tapa y extraiga la pistola pulverizadora.

En las unidades adecuadas para pintura a base de disolvente, una vez completado el ciclo automático de prelavado, la pistola pulverizadora se puede aclarar con disolvente limpio desde la boquilla de pulverización de disolvente (8).

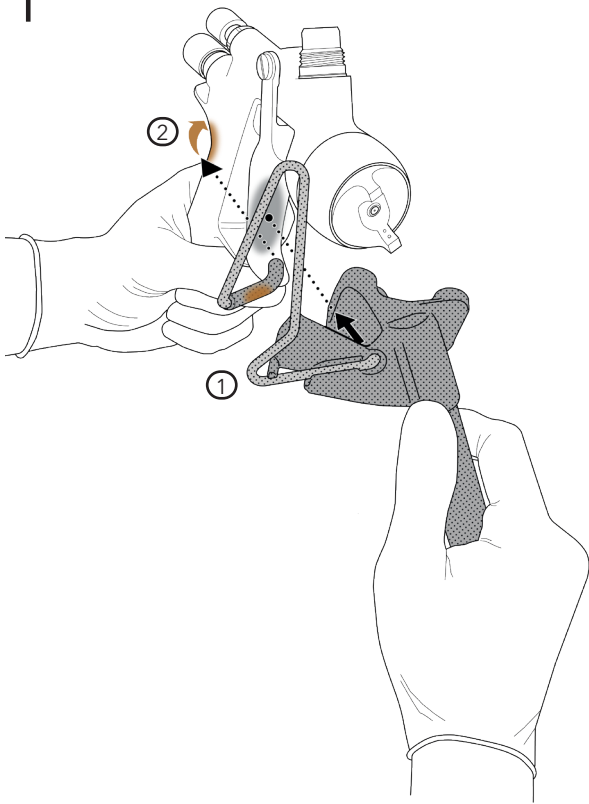
13. Para pintura a base de disolvente: Pulse el pedal  para activar la bomba de aclarado. La bomba seguirá funcionando mientras se pulse el pedal. Para un aclarado, bastará con 2-3 pulsaciones.

De ser preciso, la pistola pulverizadora ya limpia se puede aclarar de forma manual, consulte **Lavado manual para pintura a base de disolvente** o **Lavado manual para pintura a base de agua**.

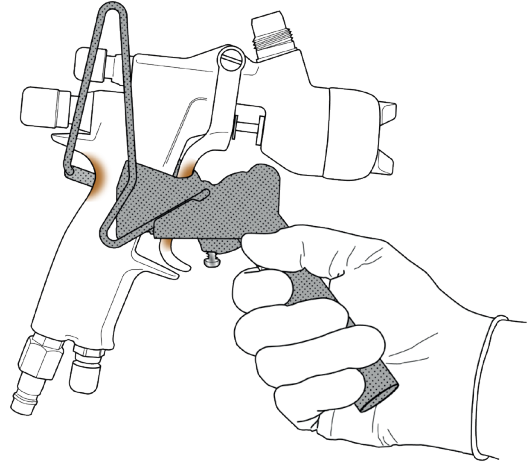
14. Conecte la pistola pulverizadora a la **línea de aire** situada en el lado derecho de la unidad y sopla la pistola pulverizadora a través del embudo (7). Este embudo limita la propagación de humos.
15. Seque la pistola pulverizadora con la **pistola de aire**.
16. Cierre la tapa tras la limpieza.

17. COLOCACIÓN DEL GANCHO DEL GATILLO

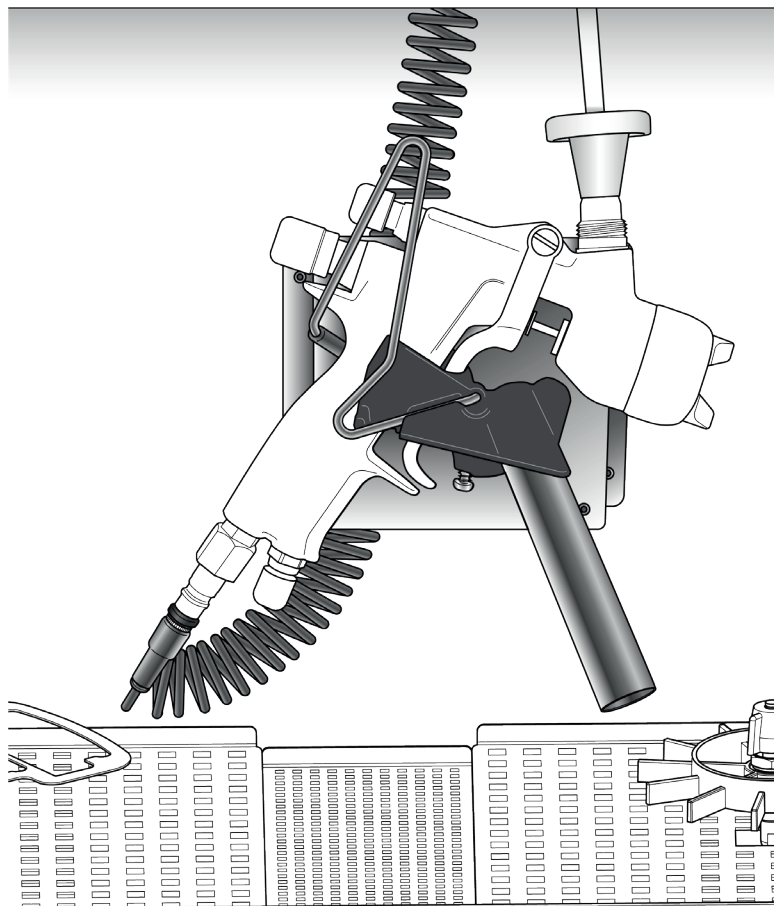
1



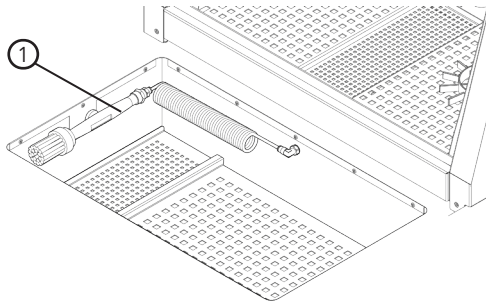
2



3

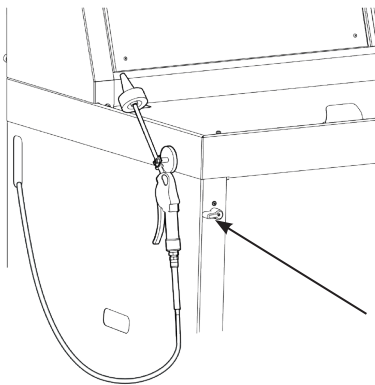



18. LAVADO MANUAL PARA PINTURA A BASE DE DISOLVENTE



Para utilizar el lavadero manual para pintura a base de disolvente:

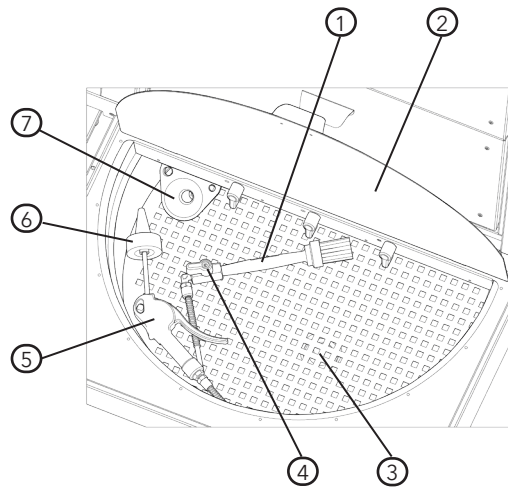
1. Vacíe todos los restos de pintura de la pistola pulverizadora en un recipiente para vertidos.
2. Asegúrese de que la válvula principal de aire comprimido esté abierta.



3. Abra la tapa.
4. Si pulsa el  pedal, se alimentará disolvente en recirculación por el cepillo (1) en el lavadero manual.
5. Limpie la pistola pulverizadora con el cepillo.
6. Conecte la pistola pulverizadora a la **línea de aire** situada en el lado derecho de la unidad y sopla la pistola pulverizadora a través del embudo en el lavador automático. Este embudo limita la propagación de humos.
7. Seque la pistola pulverizadora con la **pistola de aire**.
8. Después de la limpieza, cierre ambas tapas.

El cepillo en el lavadero manual se puede utilizar de forma independiente del lavador automático.

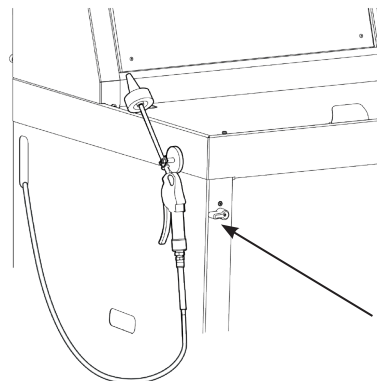
19. LAVADO MANUAL PARA PINTURA A BASE DE AGUA




Elemento	Pieza
1	Cepillo
2	Tapa (opcional)
3	Plataforma de trabajo
4	Válvula esférica (posición ABIERTA)
5	Pistola de aclarado
6	Boquilla cónica
7	Embudo

Para usar el lavadero manual para pintura a base de agua:

1. Vacíe todos los restos de pintura de la pistola pulverizadora en un recipiente para vertidos.
2. Asegúrese de que la válvula principal de aire comprimido esté abierta.



3. Abra la tapa (2, opcional).
4. Si pulsa el  pedal, se alimentará agua por el cepillo (1) en el lavadero manual.

5. **¡Nota!** La válvula esférica (4) del cepillo debe estar **abierta**.
6. Limpie la pistola pulverizadora con el cepillo.
7. Aclare el canal de pintura de la pistola pulverizadora con agua limpia presionando la boquilla cónica (6) de la pistola de aclarado (5) contra el canal de pintura de la pistola pulverizadora.
8. Aclare el exterior de la pistola pulverizadora con la **pistola de aclarado**.
¡Nota! Al utilizar la pistola de aclarado, la válvula esférica del cepillo debería estar **cerrada**.
9. Conecte la pistola pulverizadora a la **línea de aire** situada en el lado derecho de la unidad y sople la pistola pulverizadora a través del embudo en el lavadero manual (7). Este embudo limita la propagación de humos.
10. Seque la pistola pulverizadora con la **pistola de aire**.
11. Cierre la tapa tras la limpieza.

El cepillo y la pistola de aclarado en el lavadero manual se pueden utilizar de forma independiente del lavador automático.

20. PROCESO DE COAGULACIÓN



El proceso de coagulación permite reutilizar el agua de limpieza.



¡Nota! Consulte a la autoridad pertinente para asegurarse de que el agua filtrada procedente del proceso de coagulación puede vaciarse en el sistema de alcantarillado normal. Puede ser necesaria información del proveedor de pintura.

Dentro del lavadero manual para pintura a base de agua hay tres válvulas, en la pared posterior.

¡Nota! Cuando **están en vertical**, estas válvulas están **cerradas**.





Las válvulas están marcadas de la siguiente manera:

Símbolo	Función
  <p>Opcional</p>	<p>Agitador/mezclador Agita el agua contaminada con pintura para mezclarla con el polvo de coagulación. El mezclador es opcional.</p>

Símbolo	Función
 <p>Opcional</p>	<p>Bomba Arranca la bomba para la salida de desagüe opcional.</p>
 <p>Opcional</p>	<p>Válvula de desagüe Abre una válvula para que el agua filtrada se bombee a un desagüe. ¡Nota! La válvula del cepillo debe estar cerrada.</p>




Vaciado del recipiente de filtrado

Cuando el nivel de agua alcanza la plataforma de trabajo, ha llegado el momento de llevar a cabo el proceso de coagulación.

1. Levante el panel frontal y asegúrelo en sus soportes.
2. Compruebe que el recipiente de filtrado esté vacío. Si no lo está, vacíe el recipiente de filtrado a mano.
- 1. Opcional:** Unidades equipadas con kit de válvula de agua
2. Gire la válvula de desagüe  a su posición abierta.
3. Gire la válvula esférica del cepillo en el lavadero manual a la posición **cerrada** (elemento 4 en **Lavado manual para pintura a base de agua**).
4. Comience a desaguar abriendo la válvula de la bomba . La bomba vaciará del todo el recipiente de filtrado a través de la manguera de vaciado al sistema de alcantarillado normal.
5. Cuando la bomba empieza a funcionar más deprisa, el recipiente de filtrado está vacío. Cierre la válvula de la bomba y la manguera de desagüe ( y .

Coagulación

¡Nota! El proceso de coagulación debe formar grandes grumos de pintura coagulada. Si no es así, los filtros se obstruirán y no se podrán reutilizar.

1. Retire la plataforma de trabajo (elemento 3 en **Lavado manual para pintura a base de agua**).
2. Abra la válvula del agitador de agua  (o el mezclador opcional .
3. Añada el polvo de coagulación tal y como recomienda el fabricante de pintura.
4. Agite el polvo con un palo durante un rato para evitar que se hunda hasta el fondo haciendo grumos.
5. Deje que el agitador  funcione durante unos minutos.
6. Detenga el agitador ocasionalmente durante aprox.

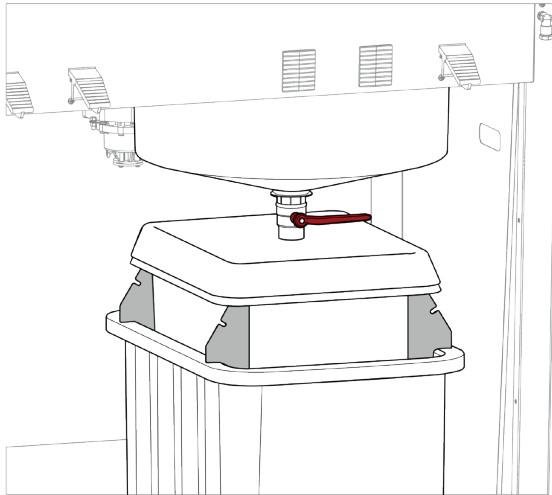
Drester ACE

30 segundos para mejorar el proceso. El tiempo total de coagulación es de 3-4 minutos.

1. Cierre la válvula del agitador (o mezclador).

Filtrado

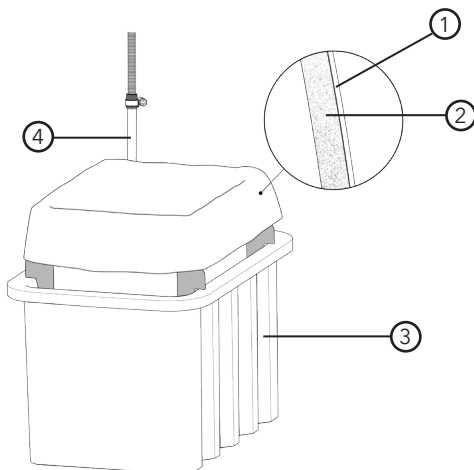
1. Abra la válvula de desagüe en la parte inferior del lavadero manual y desagüe el lavadero por completo en el filtro.



2. Limpie a conciencia el interior del lavadero manual con el cepillo (con agua reciclada). Cualquier resto de grumos residuales debe desaguar por completo en el filtro.
3. Cierre la válvula de desagüe.

21. SUSTITUCIÓN DE LOS FILTROS

¡Nota! Utilice únicamente filtros principales y prefiltros originales de DRESTER, ya que estos están aprobados por los fabricantes de pintura.



Elemento	Pieza
1	Prefiltro
2	Filtro principal
3	Recipiente de filtrado
4	Colador en tubo de succión

El prefiltro (1) recoge la mayor parte del fango coagulado, mientras que el filtro principal (2) recoge las partículas de pintura más finas.

Retire los residuos de pintura del prefiltro. Cuando los residuos de pintura estén completamente secos, se pueden eliminar fácilmente. Si los residuos de pintura se eliminan después de cada proceso de coagulación, el prefiltro se puede reutilizar hasta 10 veces.

El filtro principal se bloqueará progresivamente tras atrapar las partículas de pintura más finas. En general, el filtro principal puede ser usado hasta en 5 procesos de coagulación. Sin embargo, el filtro principal debe cambiarse cada 1-2 meses para evitar el crecimiento bacteriano.

¡Nota! Los residuos de pintura de coagulación deben manejarse de acuerdo con la normativa de la autoridad competente. Puede ser necesaria información del proveedor de pintura.

22. CONSUMIBLES

Las unidades adecuadas para pintura a base de agua, es decir, DRESTER ACE DG2A/DI2A, DG2C/DI2C, DG3C/DI3C y DG4C/DI4C, se pueden entregar con filtro principal, prefiltro, disolvente a base de agua DRESTER AQUASOLVE y POLVO DE FLOCULACIÓN DRESTER. Puede encargar todos los consumibles a su representante local o a Hedson Technologies.

23. MANTENIMIENTO

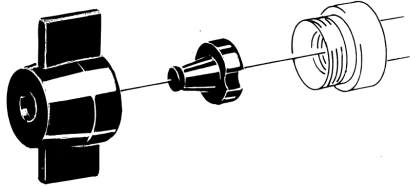
Semanal

- Extraiga los coladores de la parte inferior de los lavaderos automáticos y límpielos.

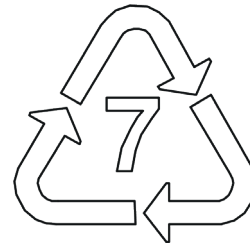
¡Nota! ¡Recuerde volver a colocarlos!

Mensual

- Extraiga las cinco boquillas de cada lavador automático y límpielas con disolvente limpio.



y un código. Todas las piezas de plástico deben reciclarse de conformidad con su marcado.



- Cambie por completo el agua.
- Cambie el filtro principal.

Cuando se cambien los bidones

- Compruebe y, si es preciso, limpie, los coladores de las mangueras de succión.

Cuando se cambien los filtros

- Compruebe y, si es preciso, limpie el colador en la tubería de succión (elemento 4 en **Sustitución de los filtros**).
- Extraiga el recipiente de filtrado (3) y vacíelo por completo. Aclárelo con agua y séquelo con un paño o papel.

24. FIN DE LA VIDA ÚTIL

El reciclaje siempre debe hacerse de conformidad con las leyes y normativas locales.

Las unidades DRESTER ACE se han construido para reciclarse por completo. Las unidades están compuestas por piezas hechas de chapa, latón y plástico.

Chapa y latón

Todas las piezas de chapa y latón se pueden desechar para su posterior reciclaje.

Plástico

Todas las piezas de plástico se han marcado con un código de identificación de resina en forma de triángulo

25. PROTOCOLO DE INSTALACIÓN

Comprobación...	Fecha	Firma
Modelo de Drester ACE: <input type="checkbox"/> DG2A/DI2A <input type="checkbox"/> DG2S/DI2S <input type="checkbox"/> DG4S/DI4S <input type="checkbox"/> DG2C/DI2C <input type="checkbox"/> DG3C/DI3C <input type="checkbox"/> DG4C/DI4C		
Se han adoptado medidas para evitar los peligros de derrames o fugas accidentales.		
La instalación se ha realizado de conformidad con la normativa y directivas aplicables para ubicaciones peligrosas.		
La unidad está conectada a tierra de conformidad con la normativa y directivas aplicables para ubicaciones peligrosas.		
La unidad está debidamente ventilada y esa ventilación está conectada a tierra de conformidad con la normativa y directivas aplicables para ubicaciones peligrosas.		
La unidad no tiene fugas en: <input type="checkbox"/> el suministro de aire <input type="checkbox"/> las líneas de aire <input type="checkbox"/> las mangueras de líquidos		
Todas las funciones de la unidad: <input type="checkbox"/> pedal(es) <input type="checkbox"/> cepillo(s) <input type="checkbox"/> pistola de aire <input type="checkbox"/> boquilla de pulverización <input type="checkbox"/> botón del temporizador		
Este manual está disponible en la unidad.		
Aire comprimido		
El aire comprimido está seco y libre de aceite de conformidad con la norma ISO 8573-1, Clase 3.4.3 o superior.		
Las líneas de aire comprimido y los acoplamientos tienen las dimensiones adecuadas.		
Para unidades adecuadas para la limpieza de pintura a base de agua		
Configuración del agua del grifo: A/B A. Se conecta el agua del grifo a la unidad, o B. Se configura la unidad para su uso con agua filtrada de recirculación, como se describe en este manual.		
Hay una manguera de desagüe dirigida desde la unidad a un desagüe. S/N		
Todos los filtros del proceso de coagulación se han instalado como se describe en este manual.		

26. DETECCIÓN Y RESOLUCIÓN DE PROBLEMAS

En caso de que persista algún problema después de aplicar lo indicado en el apartado Detección y resolución de problemas, póngase en contacto con un técnico de servicio.

Para obtener más información sobre las unidades DRESTER ACE, consulte los siguientes documentos:

- lista de piezas de repuesto (para todos los modelos)
- circuito neumático (para cada modelo)
- circuito de fluidos (para cada modelo)

Problema	Causa	Qué hacer
Caudal limitado o nulo durante el ciclo de prelavado.	Colador en la manguera de succión bloqueado.	Límpielo o reemplácelo.
	La manguera de succión no recoge el disolvente.	Compruebe si la manguera de succión presenta fugas. Compruebe si el bidón de disolvente está vacío.
	Boquillas de pulverización del lavador automático bloqueadas.	Retire y limpie las boquillas.
	Compruebe si las válvulas de la bomba están bloqueadas o no sellan.	Extraiga los conectores de la bomba, limpie las válvulas y elimine la obstrucción.
La bomba no se detiene al cabo de 1,5 minutos.	Temporizador de la unidad de fuga de aire bloqueado.	Para el reemplazo, póngase en contacto con un técnico de servicio.
	La válvula de arranque tiene fugas continuas.	Para el reemplazo, póngase en contacto con un técnico de servicio.
La bomba de prelavado no funciona.	Compruebe la presión del aire y la manguera de alimentación.	Asegúrese de que la alimentación de aire a la unidad se ajuste a los datos técnicos.
	Compruebe la función de la válvula de arranque.	Para el reemplazo, póngase en contacto con un técnico de servicio.
	El brazo de la tapa no llega a la válvula de seguridad.	Ajuste la posición del brazo de la tapa.
	La válvula de seguridad no funciona.	Para el reemplazo, póngase en contacto con un técnico de servicio.
La ventilación no empieza cuando se abre la tapa.	La válvula de seguridad no funciona.	Para el reemplazo, póngase en contacto con un técnico de servicio.
	El brazo de la tapa no llega a la válvula de seguridad.	Ajuste la posición del brazo de la tapa.

Drester ACE

Problema	Causa	Qué hacer
La boquilla de pulverización manual del lavador automático no funciona cuando se pulsa el pedal.	La válvula de pulverización no funciona.	Compruebe la función del pedal y la válvula. Para el reemplazo, póngase en contacto con un técnico de servicio.
La boquilla de pulverización manual no pulveriza disolvente.	La manguera de succión de 6 mm no recoge el disolvente.	Compruebe que la manguera de succión llegue hasta el bidón de disolvente.
	Boquilla bloqueada por residuos.	Retire la manguera de succión de 6 mm del bidón y use una pistola de aire para volver a enjuagar la boquilla.
La extracción no funciona correctamente.	Línea de aire, alimentación de aire o presión de aire limitadas.	Asegúrese de que la alimentación de aire a la unidad se ajuste a los datos técnicos.
	Boquilla de ventilación bloqueada, por ejemplo, por acumulación de pintura.	Para el reemplazo, póngase en contacto con un técnico de servicio.

