



**Chicago
Pneumatic**

Safety Information

Printed Matter No. 6159991170

Date: 2024-01 Issue No. 01

Nutrunner

Valid from Serial No. A-00001-202301 to Z-99999-203312

Model:

CP8609-B

CP8609-BT

CP8609-C

CP8609-CT

CP8609-xC

CP8609-xCT

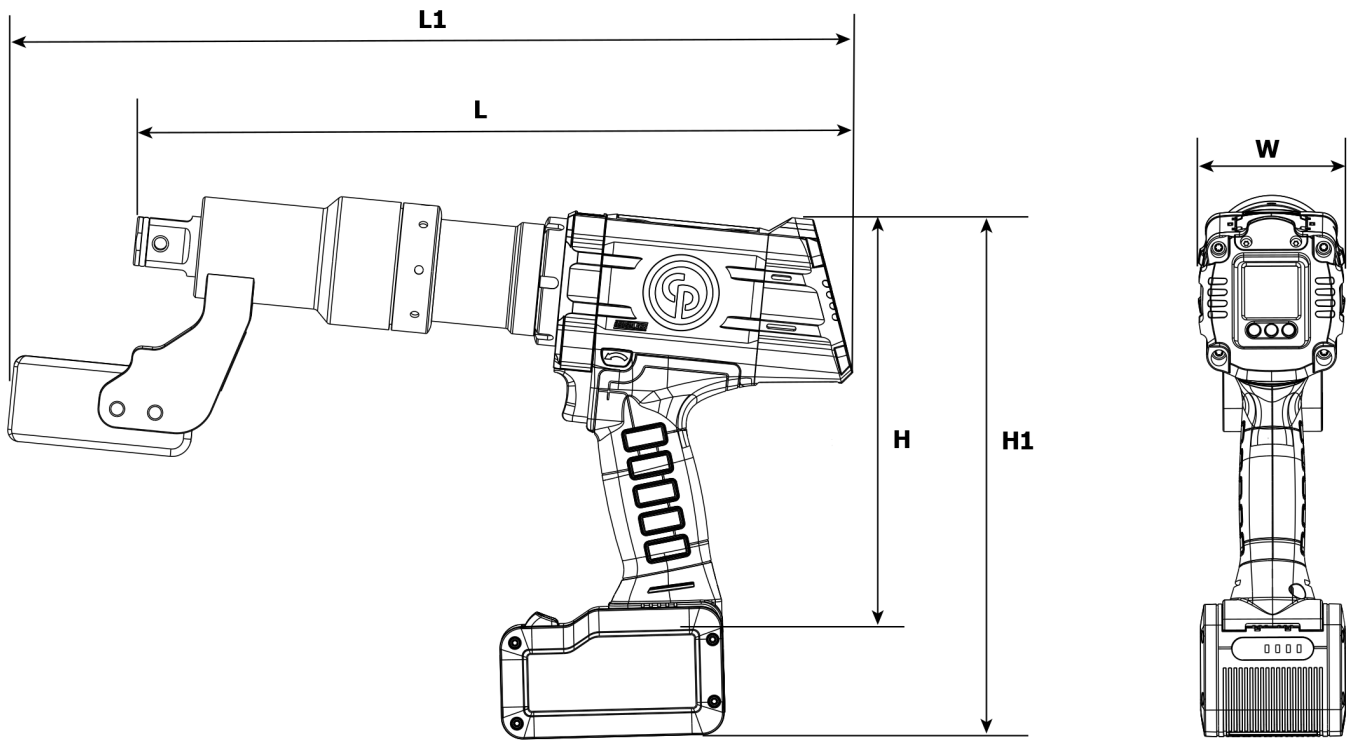


⚠ WARNING

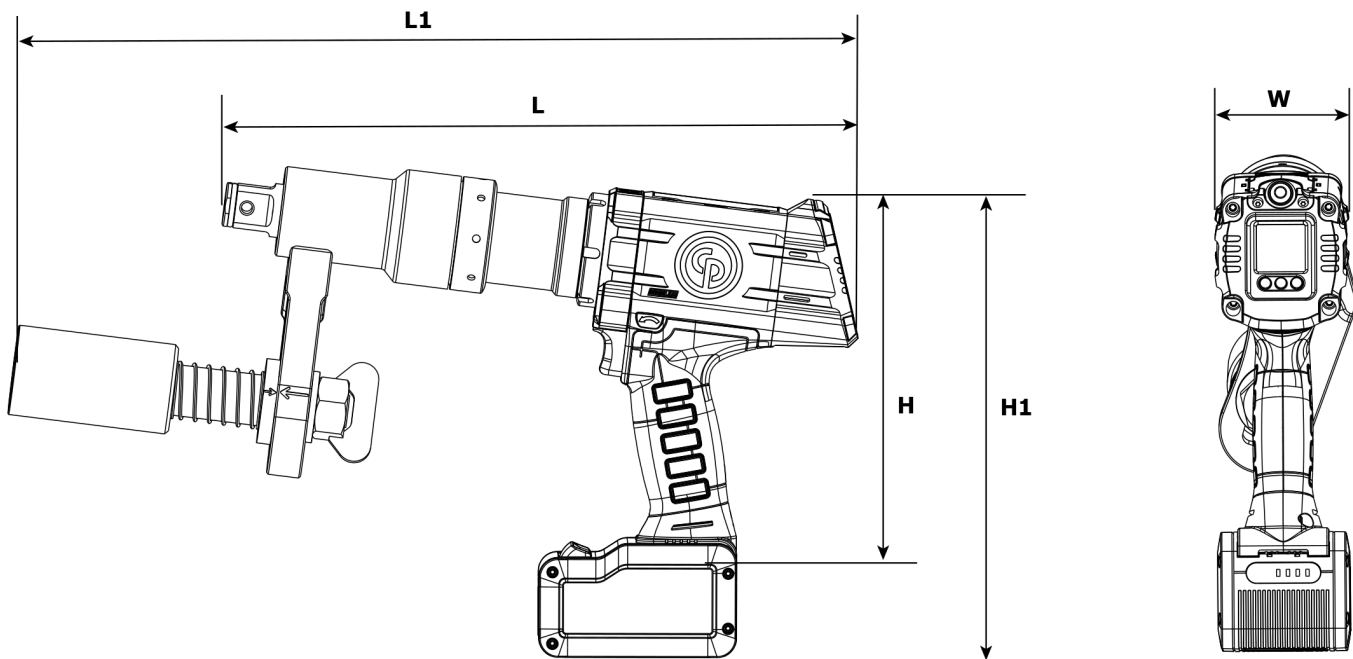
To reduce risk of injury, everyone using, installing, repairing, maintaining, changing accessories on, or working near this tool **MUST** read and understand these instructions before performing any such task.

DO NOT DISCARD - GIVE TO USER

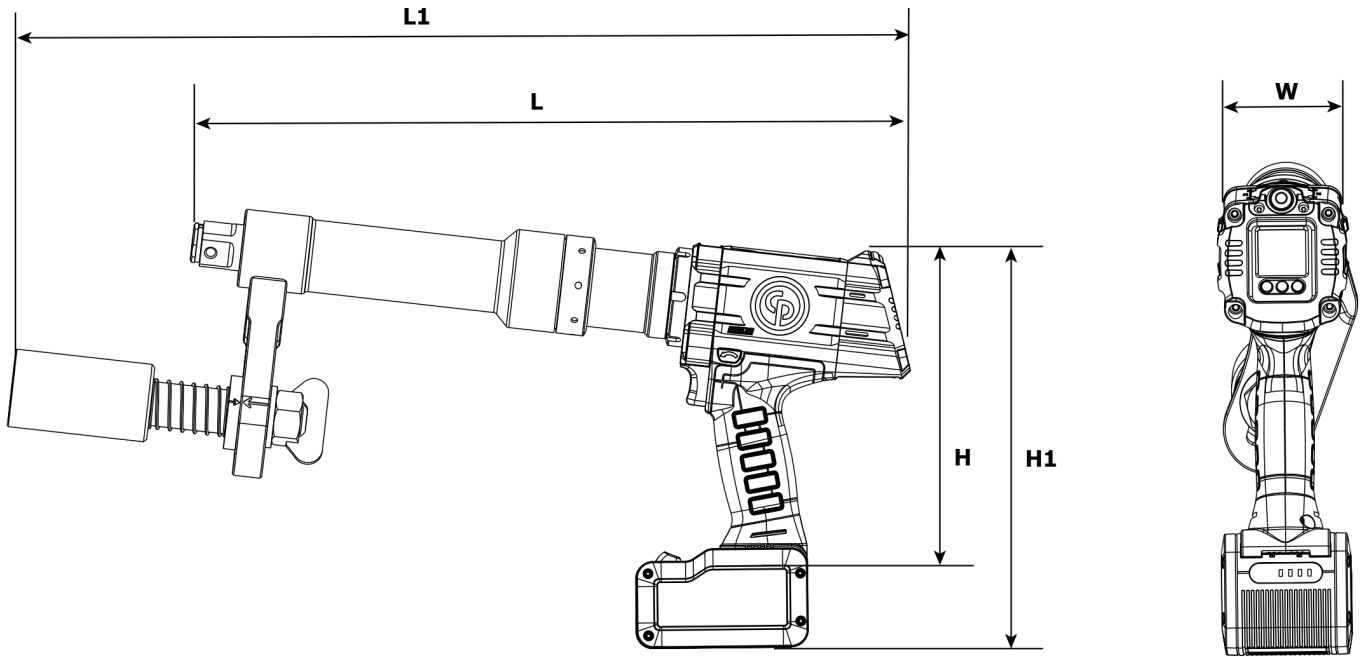
Schema 1



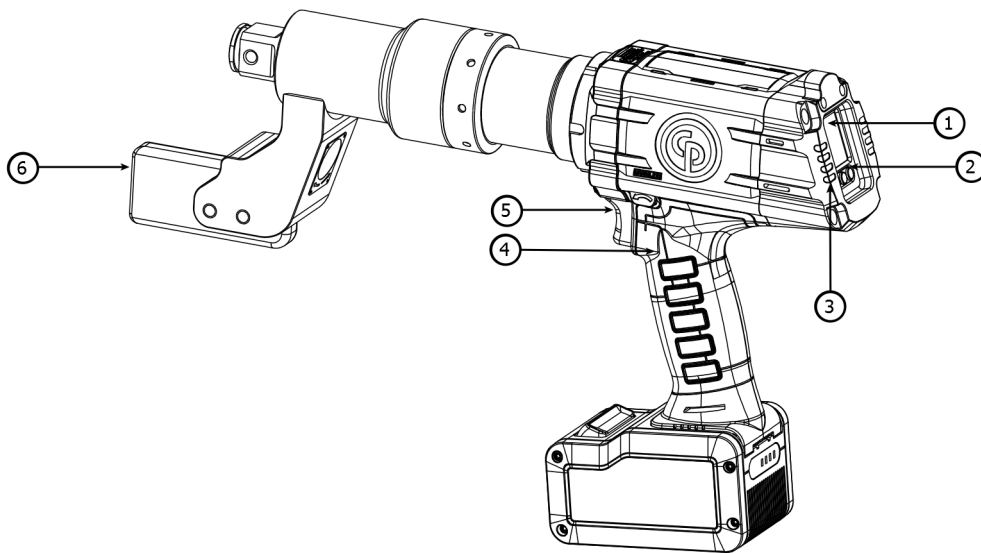
Schema 2



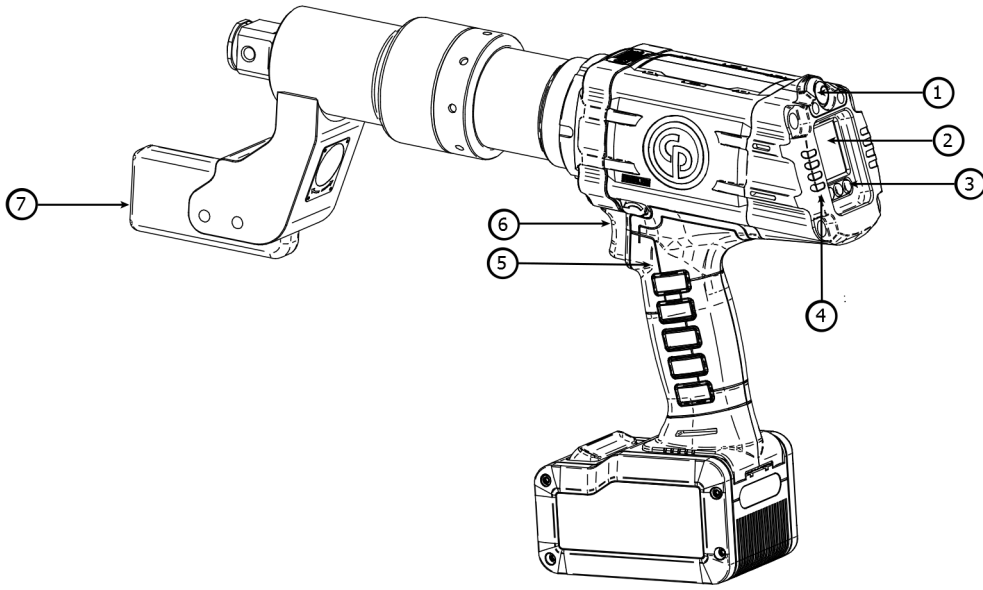
Schema 3



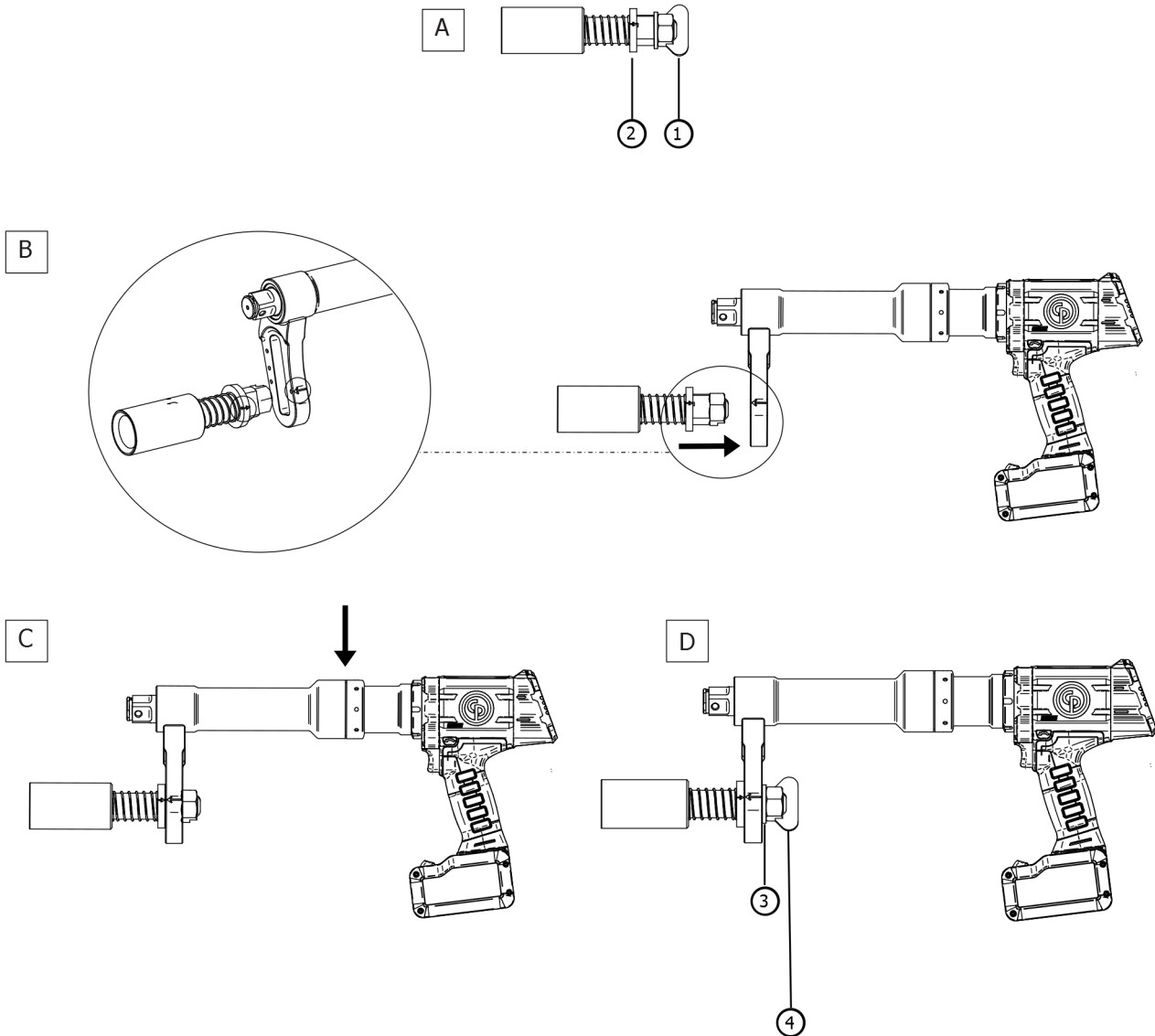
Schema 4



Schema 5



Schema 6



⚠ WARNING

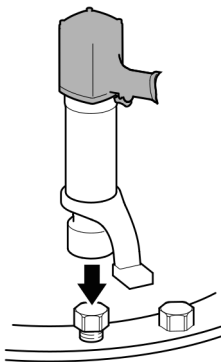
The pin on the cup should be in front of a hole on the sliding bar. Use the arrows to position the cup correctly.

Accessories

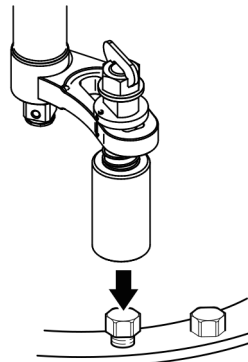
Accessory	Part Number
Spring Loaded Cup	8940164622
Japanese Cup	8940167401

Schema 7

For Models CP8609-B and CP8609-BT

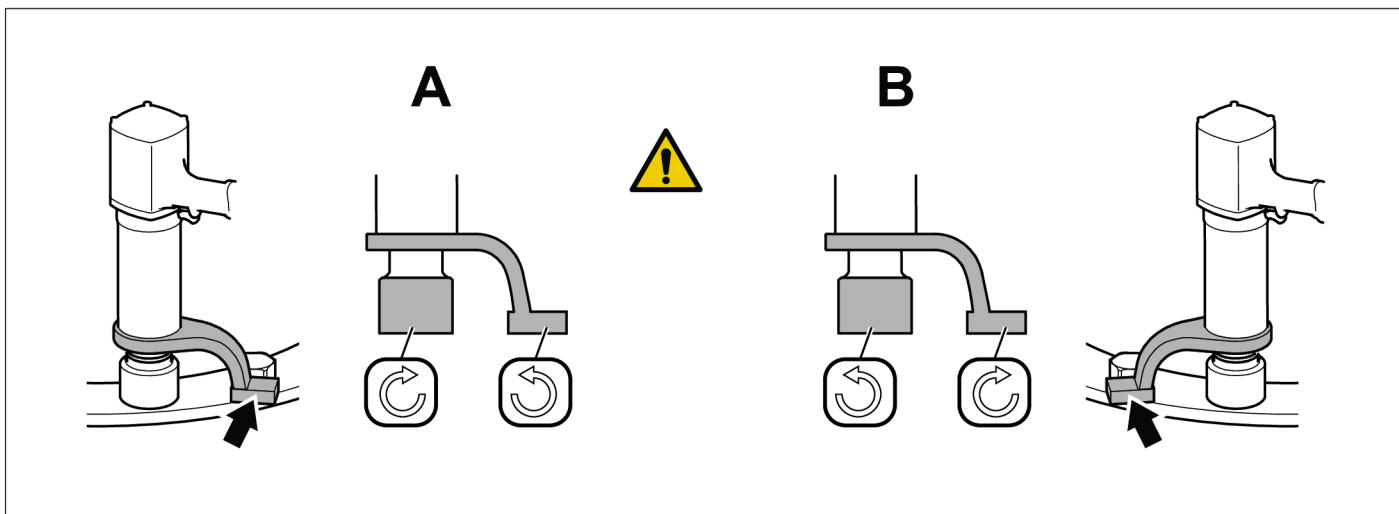


For Models CP8609-C, CP8609-CT, CP8609-xC and CP8609-xCT



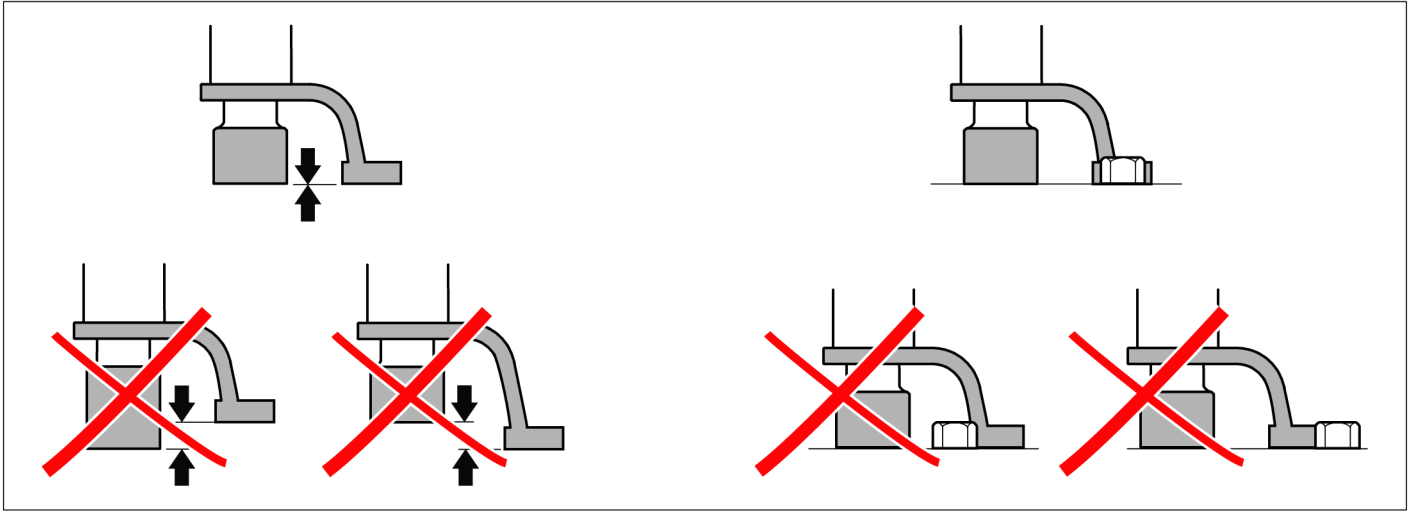
Schema 8

For models CP8609-B and CP8609-BT

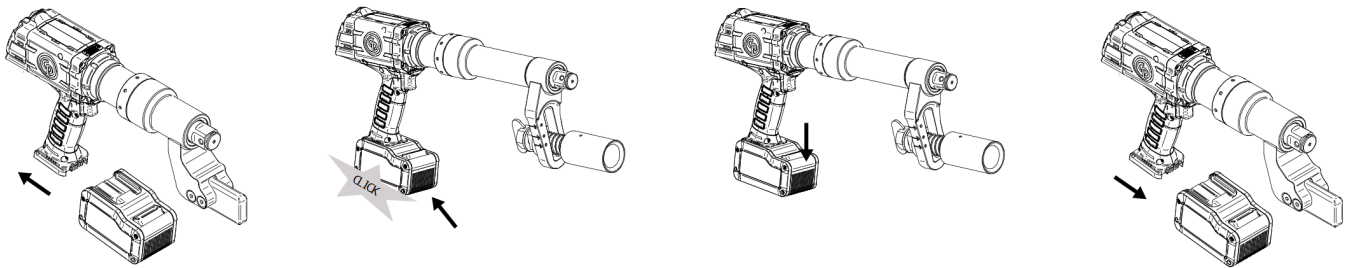


Schema 9

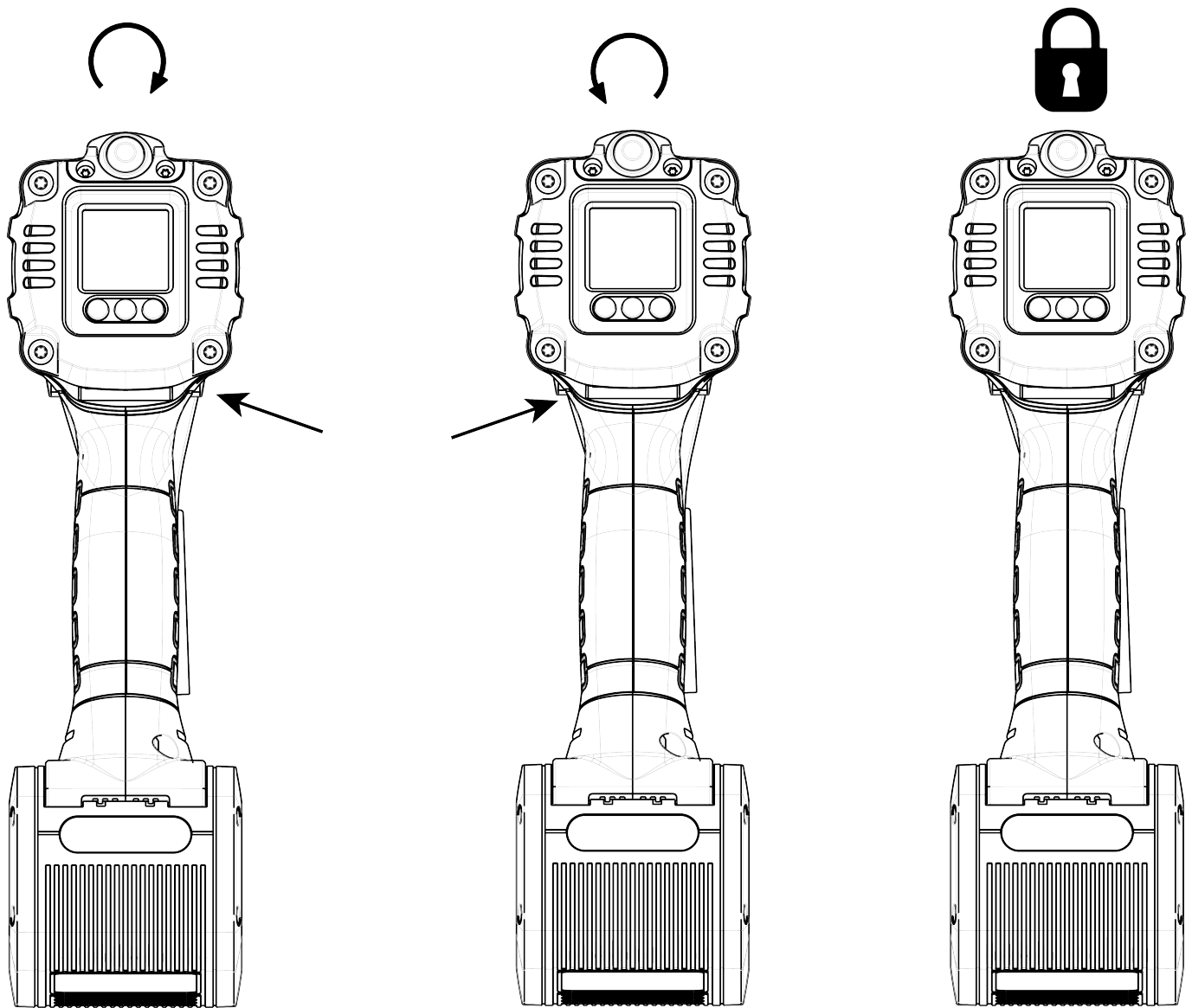
For models CP8609-B and CP8609-BT



Schema 10



Schema 11



	CP8609-B	CP8609-BT	CP8609-C	CP8609-CT	CP8609-xC	CP8609-xCT
Free Speed (rpm)	15	15	15	15	15	15
Max. Ambient Storage Temperature (°C)	60	-60	60	60	60	60
Min. Ambient Storage Temperature (°F)	-4	-4	-4	-4	-4	-4
Min. Ambient Storage Temperature (°C)	-20	-60	-20	-20	-20	-20
Max. Ambient Storage Temperature (°F)	140	140	140	140	140	140
Min. Ambient Operating Temperature (°C)	0	0	0	0	0	0
Min. Ambient Operating Temperature (°F)	32	32	32	32	32	32
Max. Ambient Operating Temperature (°C)	60	60	60	60	60	60
Max. Ambient Operating Temperature (°F)	140	140	140	140	140	140
Max. Recommended Ambient Charging Temperature (°C)	45	45	45	45	45	45
Max. Recommended Ambient Charging Temperature (°F)	113	113	113	113	113	113
Min. Recommended Ambient Charging Temperature (°C)	0	0	0	0	0	0
Min. Recommended Ambient Charging Temperature (°F)	32	32	32	32	32	32
Max. Torque Rev. (Nm)	900	900	900	900	900	900
Max. Torque Rev. (ft.lb)	665	665	665	665	665	665
Square Size (")	1	1	1	1	1	1
Battery capacity (Ah)	2.5	2.5	2.5	2.5	2.5	2.5
Battery voltage (V)	36	36	36	36	36	36
Weight (kg)	5.8	5.8	5.6	5.6	6.9	6.9
Weight (lb)	12,7	12,7	12,3	12,3	15.2	15.2
W (mm)	77	77	77	77	77	77
W (")	3	3	3	3	3	3
L (mm)	380	380	380	380	495	495
L (")	14.96	14.96	14.96	14.96	19.5	19.5
L1 (mm)	437	437	491	491	605	605
L1 (")	17.2	17.2	19.33	19.33	23.82	23.82
H (mm)	218	218	218	218	218	218
H (")	8.6	8.6	8.6	8.6	8.6	8.6
H1 (mm)	285	285	285	285	285	285
H1 (")	11.22	11.22	11.22	11.22	11.22	11.22

Table of Contents

Technical Data	10
Product description	10
Declarations	10
EU Declaration of Conformity	10
UK Declaration of Conformity	10
FCC compliance Class B.....	10
IC compliance Class B	10
Conformity to North American Standards	11
Noise and Vibration Declaration Statement.....	11
Wireless communication specifications	11
RF Exposure Statement	11
Regional Requirements	11
Safety	11
Intended Use	11
General Power Tool Safety Warnings	12
Product Specific Instructions	13
Warning!	13
Special precautions for CP8609-BT, CP8609-CT, CP8609-xCT	13
General Installation Safety	13
General Operation Safety.....	13
General Instructions	14
Operating the tool.....	14
Battery	14
Maintenance instructions.....	14
Disposal.....	14
Signs and Stickers.....	15
Symbols	15
Useful Information	15
Website.....	15
Country of origin	15
Safety Data Sheet	15
Copyright	15

Technical Data

Product description

Refer to <i>Schema 4</i> .	Refer to <i>Schema 5</i> .
1 Display screen	1 Second trigger
2 Settings buttons	2 Display screen
3 Reporting LEDs	3 Settings buttons
4 Reverse button	4 Reporting LEDs
5 Principle trigger	5 Reverse button
6 Blade	6 Principle trigger
	7 Blade

Declarations

EU Declaration of Conformity

We, **CHICAGO PNEUMATIC Tool Co.LLC**, 1815 Clubhouse Road, Rock Hill, SC 29730 - USA, declare under our sole responsibility that the product (with name, type, and serial number, see the front page) is in conformity with the following Directive (s):



2006/42/EC; 2011/65/UE ; 2014/53/UE

Harmonized standards applied:
EN 62841-2-2:2014 + AC1:2015; EN 55014-1:2017+11:2020; EN 55014-2:2015; EN 61000-6-2:2019; EN 61000-6-3:2021 + A1:2011; EN 300328V222; EN 301489-17V324; EN 301489-1V223; EN 62311:2020; EN 62479:2010

Authorities can request relevant technical information from:

Pascal Roussy, R&D Manager, Ets Georges Renault, 38 rue Bobby Sands, BP10273 44818 Saint Herblain, France

Saint-Herblain, 2022/01/26
 Pascal ROUSSY

Signature

UK Declaration of Conformity

We, **CHICAGO PNEUMATIC Tool Co.LLC**, 1815 Clubhouse Road, Rock Hill, SC 29730 - USA, declare under our sole responsibility that the product (with name, type and serial number, see front page) is in conformity with the following UK Regulation(s):



Supply of Machinery (Safety) Regulations 2008
The Restriction of the Use of Certain Hazardous Substances in Electrical and Electronic Equipment Regulations 2012

Radio Equipment Regulations 2017

Designated Standards applied:
EN 62841-2-2:2014 + AC1:2015; EN 55014-1:2017+11:2020; EN 55014-2:2015; EN 61000-6-2:2019; EN 61000-6-3:2021 + A1:2011; EN 300328V222; EN 301489-17V324; EN 301489-1V223; EN 62311:2020; EN 62479:2010

Saint-Herblain, 2022/02/28
 Pascal ROUSSY

Signature

Authorities can request relevant technical information from:

UK Authorized Representative:

Air Compressors & Tools Ltd
 Zodiac – Unit 4, Boundary way
 Hemel Hempstead Industrial Estate, HP27SJ Hemstead
 Hertfordshire – UK
Contact: M.Taylor

FCC compliance Class B

This device complies with Part 15 of the FCC Rules. Any changes or modifications not expressly approved by the manufacturer could void the user’s authority to operate this device.

Operation is subject to the following two conditions:(1) this device may not cause harmful interference, and (2) this device must accept any interference received, including interference that may cause undesired operation.

FCC Responsible party:

Name: Stuart Trott
Position: General Manager
Address: Chicago Pneumatic Tool Company
 LLC 1815 Clubhouse Road Rock Hill
 SC 29730
 USA
Mobile: +1 800 624 4735
Email: Stuart.Trott@cp.com

i This equipment has been tested and found to comply with the limits for a Class B digital device, pursuant to part 15 of the FCC Rules. These limits are designed to provide reasonable protection against harmful interference in a residential installation. This equipment generates, uses and can radiate radio frequency energy and, if not installed and used in accordance with the instructions, may cause harmful interference to radio communications. However, there is no guarantee that interference will not occur in a particular installation. If this equipment does cause harmful interference to radio or television reception, which can be determined by turning the equipment off and on, the user is encouraged to try to correct the interference by one or more of the following measures:

- Reorient or relocate the receiving antenna.
- Increase the separation between the equipment and receiver.
- Connect the equipment into an outlet on a circuit different from that to which the receiver is connected.
- Consult the dealer or an experienced radio/TV technician for help.

IC compliance Class B

CAN ICES-3(B)/NMB-3(B)
 (English) This device complies with Innovation, Science and Economic Development Canada’s licence-exempt RSSs. Operation is subject to the following two conditions:

- 1) This device may not cause interference; and
- 2) This device must accept any interference, including interference that may cause undesired operation of the device.

(French) Le présent appareil est conforme aux CNR d'Innovation, Sciences et Développement économique Canada applicables aux appareils radio exempts de licence. L'exploitation est autorisée aux deux conditions suivantes:

- 1) l'appareil ne doit pas produire de brouillage;
- 2) l'appareil doit accepter tout brouillage radioélectrique subi, même si le brouillage est susceptible d'en compromettre le fonctionnement.

Conformity to North American Standards



Listed
 Conforms to UL std. 62841-1 and UL std. 62841-2-2
 Certified to CSA Std. C22.2 No. 62841-1 and CSA Std. C22.2 No. 62841-2-2

Noise and Vibration Declaration Statement

- Sound pressure level < 72 dB(A), uncertainty 3 dB(A), in accordance with EN 62841-2-2:2015.
- Sound power level < 83 dB(A), uncertainty 3 dB(A), in accordance with EN 62841-2-2:2015.
- Vibration total value < 2.5 m/s², uncertainty 3 m/s², in accordance with EN 62841-2-2:2015.

These declared values were obtained by laboratory type testing in accordance with the stated standards and are suitable for comparison with the declared values of other tools tested in accordance with the same standards. These declared values are not adequate for use in risk assessments and values measured in individual work places may be higher. The actual exposure values and risk of harm experienced by an individual user are unique and depend upon the way the user works, the workpiece and the workstation design, as well upon the exposure time and the physical condition of the user.

We, **CHICAGO PNEUMATIC Tool Co.LLC**, cannot be held liable for the consequences of using the declared values, instead of values reflecting the actual exposure, in an individual risk assessment in a work place situation over which we have no control.

This tool may cause hand-arm vibration syndrome if its use is not adequately managed. An EU guide to managing hand-arm vibration can be found by accessing <http://www.pneurop.eu/index.php> and selecting 'Tools' then 'Legislation'.

We recommend a programme of health surveillance to detect early symptoms which may relate to noise or vibration exposure, so that management procedures can be modified to help prevent future impairment.

- ⓘ If this equipment is intended for fixtured applications: The noise emission is given as a guide to the machine-builder. Noise and vibration emission data for the complete machine should be given in the instruction manual for the machine.

Wireless communication specifications

BLUETOOTH LOW ENERGY 4.2®

Frequency: 2400 MHz - 2483.5MHz

EIRP: <10 dBm

The Bluetooth® word mark and logos are registered trademarks owned by Bluetooth SIG, Inc

RF Exposure Statement

This portable transmitter has been tested and found to comply with FCC General Population RF Radiation Exposure limits set forth for an uncontrolled environment and meets the FCC radio frequency (RF) Exposure Guidelines. The antenna used for this device must not be co-located or operating in conjunction with any other antenna or transmitter.

Regional Requirements

⚠ WARNING

This product can expose you to chemicals including lead, which is known to the State of California to cause cancer and birth defects or other reproductive harm. For more information go to

<https://www.p65warnings.ca.gov/>

Safety

DO NOT DISCARD - GIVE TO USER

⚠ WARNING Read all safety warnings, instructions, illustrations and specifications provided with this product.

Failure to follow all instructions listed below may result in electric shock, fire, property damage and/or serious injury.

Save all warnings and instructions for future reference.

⚠ WARNING All locally legislated safety rules regarding installation, operation and maintenance shall be respected at all times.

Statement of Use

- For professional use only.
- This product and its accessories must not be modified in any way.
- Do not use this product if it has been damaged.
- If the product data or hazard warning signs on the product cease to be legible or become detached, replace without delay.
- The product must only be installed, operated and serviced by qualified personnel in an industrial environment.

Intended Use

This product is intended to be used only by adults who have read and understood the instructions and warnings in this manual and can be considered responsible for their actions.

- This product is designed for installing and removing threaded fasteners in wood, metal or plastic.
- Indoor use only.
- Do not use the product for any other purpose not described above.
- No other use permitted

Recommended Batteries

8940176068: CP36XP25

Recommended charger

8940176069: CP18-36CH

Recommended cup

** Cup part number and name to be added here **

General Power Tool Safety Warnings

The term "power tool" in the warnings refers to your mains-operated (corded) power tool or battery-operated (cordless) power tool.

Work area safety

- **Keep work area clean and well lit.** Cluttered or dark areas invite accidents.
- **Do not operate power tools in explosive atmospheres, such as in the presence of flammable liquids, gases or dust.** Power tools create sparks which may ignite the dust or fumes.
- **Keep children and bystanders away while operating a power tool.** Distractions can cause you to lose control.

Electrical safety

- **Avoid body contact with earthed or grounded surfaces, such as pipes, radiators, ranges and refrigerators.** There is an increased risk of electric shock if your body is earthed or grounded.
- **Do not expose power tools to rain or wet conditions.** Water entering a power tool will increase the risk of electric shock.

Personal safety

- **Stay alert, watch what you are doing and use common sense when operating a power tool. Do not use a power tool while you are tired or under the influence of drugs, alcohol or medication.** A moment of inattention while operating power tools may result in serious personal injury.
- **Use personal protective equipment. Always wear eye protection.** Protective equipment such as dust mask, non-skid safety shoes, hard hat, or hearing protection used for appropriate conditions will reduce personal injuries.
- **Prevent unintentional starting. Ensure the switch is in the off-position before connecting to power source and/or battery pack, picking up or carrying the tool.** Carrying power tools with your finger on the switch or energising power tools that have the switch on invites accidents.
- **Remove any adjusting key or wrench before turning the power tool on.** A wrench or a key left attached to a rotating part of the power tool may result in personal injury.

- **Do not overreach. Keep proper footing and balance at all times.** This enables better control of the power tool in unexpected situations.
- **Dress properly. Do not wear loose clothing or jewellery. Keep your hair and clothing away from moving parts.** Loose clothes, jewellery or long hair can be caught in moving parts.
- **If devices are provided for the connection of dust extraction and collection facilities, ensure these are connected and properly used.** Use of dust collection can reduce dust-related hazards.
- **Do not let familiarity gained from frequent use of tools allow you to become complacent and ignore tool safety principles.** A careless action can cause severe injury within a fraction of a second.
- **Hold the power tool by insulated gripping surfaces, when performing an operation where the fastener may contact hidden wiring.** Fasteners contacting a "live" wire may make exposed metal parts of the power tool "live" and could give the operator an electric shock.

Power tool use and care

- **Do not force the power tool. Use the correct power tool for your application.** The correct power tool will do the job better and safer at the rate for which it was designed.
- **Do not use the power tool if the switch does not turn it on and off.** Any power tool that cannot be controlled with the switch is dangerous and must be repaired.
- **Disconnect the plug from the power source and/or the battery pack, if detachable, from the power tool before making any adjustments, changing accessories, or storing power tools.** Such preventive safety measures reduce the risk of starting the power tool accidentally.
- **Store idle power tools out of the reach of children and do not allow persons unfamiliar with the power tool or these instructions to operate the power tool.** Power tools are dangerous in the hands of untrained users.
- **Maintain power tools and accessories. Check for misalignment or binding of moving parts, breakage of parts and any other condition that may affect the power tool's operation. If damaged, have the power tool repaired before use.** Many accidents are caused by poorly maintained power tools.
- **Keep cutting tools sharp and clean.** Properly maintained cutting tools with sharp cutting edges are less likely to bind and are easier to control.
- **Use the power tool, accessories and tool bits etc. in accordance with these instructions, taking into account the working conditions and the work to be performed.** Use of the power tool for operations different from those intended could result in a hazardous situation.
- **Keep handles and grasping surfaces dry, clean and free from oil and grease.** Slippery handles and grasping surfaces do not allow for safe handling and control of the tool in unexpected situations.

Battery tool use and care

- **Recharge only with the charger specified by the manufacturer.** A charger that is suitable for one type of battery pack may create a risk of fire when used with another battery pack.
- **Use power tools only with specifically designated battery packs.** Use of any other battery packs may create a risk of injury and fire.
- **When battery pack is not in use, keep it away from other metal objects, like paper clips, coins, keys, nails, screws or other small metal objects, that can make a connection from one terminal to another.** Shorting the battery terminals together may cause burns or a fire.
- **Under abusive conditions, liquid may be ejected from the battery; avoid contact. If contact accidentally occurs, flush with water. If liquid contacts eyes, additionally seek medical help.** Liquid ejected from the battery may cause irritation or burns.
- **Do not use a battery pack or tool that is damaged or modified.** Damaged or modified batteries may exhibit unpredictable behaviour resulting in fire, explosion or risk of injury.
- **Do not expose a battery pack or tool to fire or excessive temperature.** Exposure to fire or temperature above 130 °C may cause explosion.
- **Follow all charging instructions and do not charge the battery pack or tool outside the temperature range specified in the instructions.** Charging improperly or at temperatures outside the specified range may damage the battery and increase the risk of fire.

Service

- **Have your power tool serviced by a qualified repair person using only identical replacement parts.** This will ensure that the safety of the power tool is maintained.
- **Never service damaged battery packs.** Service of battery packs should only be performed by the manufacturer or authorized service providers.

Product Specific Instructions**Warning!**

To reduce the risk of fire, personal injury, and product damage due to a short circuit, never immerse your tool, battery pack or charger in fluid or allow a fluid to flow inside them. Corrosive or conductive fluids, such as seawater, certain industrial chemicals, and bleach or bleach-containing products, etc., can cause a short circuit.

Special precautions for CP8609-BT, CP8609-CT, CP8609-xCT

- Use second trigger to minimize the risk of fingers or hands getting caught between the reaction bar and the work piece.
- Always check that the contact area with the reaction arm can withstand reaction torque to minimize risk of property damage or severe injury.

⚠ WARNING Crushing Hazard

The second trigger forces the user to use both hands to operate the tool. If not used, the operator can accidentally start the tool while adjusting the reaction bar, thus resulting in a serious hand injury.

- ▶ Make sure the tool cannot be started once the second trigger has been released.
- ▶ Always test the tool by first releasing the trigger of the second trigger, then push the trigger of the tool. If the tool starts; stop work.

General Installation Safety

Refer installation to qualified personnel only.

Hang the tool securely, by for example using a balancer. When using a suspension yoke, check that it is in good condition and correctly fastened.

Always connect the system to an earthed outlet. Always make sure that the mains plug is disconnected and the controller is turned off before connecting or disconnecting the tool cable.

General Operation Safety

- **Due to entanglement risk, do not wear gloves.**
- **Be prepared of the reaction force which will occur when the tool is used.** Always support the tool's handle securely in the direction opposite to the spindle rotation, in order to reduce the effect of sudden torque reaction during final tightening and initial loosening.
- **Never hold the drive, socket or drive extension.**
- **Operators and maintenance personnel must be physically able to handle the bulk, weight and power of the tool.**
- **If possible, use a suspension arm to absorb the reaction torque. If that is not possible, side handles are recommended for straight-case and pistol-grip tools; reaction bars are recommended for angle nutrunners.** It is recommended to use a means to absorb the reaction torque above 4 Nm (3 lbf.ft) for straight-case tools, above 10 Nm (7.5 lbf.ft) for pistol-grip tools, and above 60 Nm (44 lbf.ft) for angle nutrunners.
- **Serious injury can result from over-torqued or under-torqued fasteners.** Assemblies requiring a specific torque must be checked using a torque meter. So-called "click" torque wrenches do not check for potentially dangerous over-torqued conditions. Over-torqued or under-torqued fasteners can break, loosen or separate. Released assemblies can become projectiles.
- **Use only power or impact sockets in good condition.** Do not use hand sockets.
- **When using a power tool, the operator may feel discomfort in the hands, arms, shoulders, neck, or other parts of the body.** Vary between appropriate postures throughout the work day, maintain a secure footing and avoid awkward or off-balance postures.
- **Repetitive work motions, awkward positions and exposure to vibration can be harmful to hands and arms.** If numbness, tingling, pain or whitening of the skin occurs, stop using tool and consult a physician.

- **Take caution when operating in confined spaces.** Be aware of crushing hands between tool and workpiece.
- **High sound levels can cause permanent hearing loss.** Use hearing protection as recommended by your employer or occupational health and safety regulations.
- **Ensure that the workpiece is securely fixed.**
- **Proceed with care in unfamiliar surroundings.** Be aware of potential hazards created by your work activity. This tool is not insulated from coming into contact with electric power sources.

Tools containing a clutch: Never use the product without making sure the clutch releases. Immediately after adjusting the clutch, check for correct operation.

⚠️ WARNING Risk of Injury

Make sure that the correct parameter file is being used. Wrong parameter file might cause too high torque with bodily injury as a result.

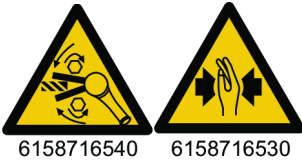
- ▶ Compare the maximum torque which is shown in the controller, with the maximum torque stated in the technical data of the tool, they should be the same.

For CP8609-B and CP8609-BT: Never put your hand near or close to the reaction bar while the tool is being used. Be aware of the rotational direction of the spindle before starting the tool, the reaction force may work in an unexpected direction with risk of crushing injuries.

General Instructions

The tool may only be used together with the associated torque reaction bar, which is adapted to the screw joint application concerned.

⚠️ WARNING Crushing Hazard



Check the rotational direction of the tool before start! A start in an unexpected rotational direction can cause bodily injury or property damage. Moving parts can crush and cut.

- ▶ Make sure that the rotational direction of the tool is correct before starting the tool.
- ▶ Keep hands and fingers away from moving parts.

Operating the tool

1. **Only for CP8609-C, CP8609-CT, CP8609-xC, CP8609-xCT:**
Fit the cup to the tool. Refer to *Schema 6* for assembly detail.
2. Fit the tool with a socket adapted to square size. Refer to *Schema 3* for assembly detail. Socket retainer is not provided with the tool.
3. Set the correct mode using settings buttons (2) and display screen (1). Refer *Schema 4* and *Schema 5*.
4. Choose the right direction using reverse button (4). Refer *Schema 4* and *Schema 5*.

5. Position the tool. Refer to *Schema 7* to *Schema 9* for more detail.
6. **Only for CP8609-BT, CP8609-CT, CP8609-xCT:**
Press and keep pressure on second trigger. Refer to *Schema 5*.
7. Press and keep pressure on principal trigger. Refer to *Schema 4* and *Schema 5*.
8. Keep triggers pressed till the end of the operation.
9. Check operation status on reporting LEDs (3). Green (Ok), Red (NOk).

Battery

Battery packs which have not been used for some time should be recharged before use.

Temperatures in excess of 50°C (122°F) reduce the performance of the battery pack. Avoid extended exposure to heat or sunshine (risk of overheating).

The contacts of chargers and battery packs must be kept clean.

For an optimum life-time, the battery packs have to be fully charged, after used. To obtain the longest possible battery life remove the battery pack from the charger once it is fully charged.

The battery pack has overload protection that protects it from being overloaded and helps to ensure long life. Under extreme stress the battery electronics switch off the product automatically. To restart, switch the product off and then on again. If the product does not start up again, the battery pack may have discharged completely. In this case it must be recharged in the battery charger.

Maintenance instructions

- **Follow local country environmental regulations for safe handling and disposal of all components.**
- Maintenance and repair work must be carried out by qualified personnel using only original spare parts. Contact the manufacturer or your nearest authorised dealer for advice on technical service or if you require spare parts.
- Always ensure that the machine is disconnected from energy source to avoid accidental operation.
- Disassemble and inspect the tool every three 3 months if the tool is used every day. Replace damaged or worn parts.
- Do not at any time let brake fluids, gasoline, petroleum based products, penetrating oils, etc., come in contact with plastic parts. Chemicals can damage, weaken or destroy plastic which could result in serious personal injury.
- Avoid using solvents when cleaning plastic parts. Most plastics are susceptible to damage from various types of commercial solvents and can be damaged by their use. Use clean clothes to remove dirt, dust, oil, grease, etc.

Disposal

- The disposal of this equipment must follow the legislation of the respective country.
- All damaged, badly worn or improperly functioning devices **MUST BE TAKEN OUT OF OPERATION.**

- The disposal of this equipment must follow the legislation of the respective country.
- Repair only by technical maintenance staff.

Signs and Stickers

The product is fitted with signs and stickers containing important information about personal safety and product maintenance. The signs and stickers shall always be easy to read. New signs and stickers can be ordered by using the spare parts list.



s011050

Copyright

© Copyright 2024, CHICAGO PNEUMATIC Tool Co.LLC, 1815 Clubhouse Road, Rock Hill, SC 29730 - USA

All rights reserved. Any unauthorized use or copying of the contents or part thereof is prohibited. This applies in particular to trademarks, model denominations, part numbers, and drawings. Use only authorized parts. Any damage or malfunction caused by the use of unauthorized parts is not covered by Warranty or Product Liability.

Symbols

	Remove the battery pack before starting any work on the machine.
	Please read the instructions carefully before starting the machine.
	Do not dispose of electric tools together with household waste material. Electric tools and electronic equipment that have reached the end of their life must be collected separately and returned to an environmentally compatible recycling facility. Check with your local authority or retailer for recycling advice and collection point.
	Always wear goggles when using the machine.
n_0	No load speed.
V	Volts
min^{-1}	per minute
	Direct Current
	CAUTION! WARNING! DANGER!

Useful Information

Website

Information concerning our Products, Accessories, Spare Parts and Published Matters can be found on the Chicago Pneumatic website.

Please visit: www.cp.com.

Country of origin

Hungary

Safety Data Sheet

The Safety Data Sheets describe the chemical products sold by Chicago Pneumatic.

Please consult the Chicago Pneumatic website for more information qr.cp.com/sds.

Original instructions

ABOUT CHICAGO PNEUMATIC



At Chicago Pneumatic, we have a passion for performance and long-lasting partnerships with our customers in industrial applications, construction, infrastructure and maintenance. Since 1901, we have been committed to reliability based on technology and trust.

TO LEARN MORE, VISIT WWW.CP.COM

